

BES 516-325-G-E5-Y-S4

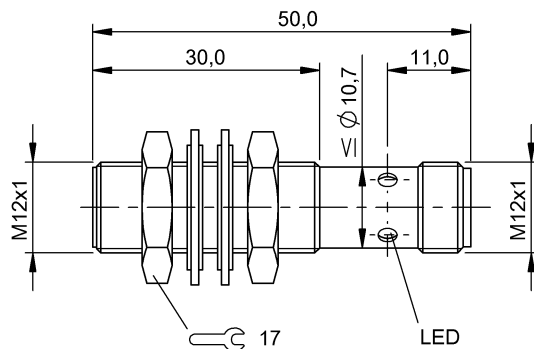
Ordering code:

**Inductive sensor
M12x50 mm**

**DC, direct current
PNP/Normally open (NO)
Sn = 4 mm
Flush (shielded)**
■ ■

BALLUFF

sensors worldwide



Characteristic data

Assured operating distance Sa	3,2
Eff. switching distance Sr	4 mm
Tolerance Sr	±10 %
Hysteresis H max. (in % of Sr)	15 %
Repeat accur. R max. (% of Sr)	5 %
Ambient temperature	-25...70 °C
Temp. drift max. (% of Sr)	10 %
Switching freq. f max.	600 Hz
Ready delay tv max.	10 ms
Utilisation category	DC 13
Function indicator	Yes
Power-on indicator	No
Short-circuit protected	Yes
Protected against polarity reversal	Yes
Protected against reverse connection	Yes
Degree of protection as per IEC 60529	IP67
Principle of operation	Inductive

Electrical data

Operating voltage	10...30 V DC
Ripple max. (% of Ue)	15
Rated operating voltage Ue DC	24
Voltage drop static max.	3,5 V
Rated insulation voltage Ui	75 DC
Effective operating current Ie	130 mA
No-load current Io damped	25 mA

No-load current Io undamped	12 mA
Off-state current Ir max.	80 µA
Minimum operating current Im	0 mA
Rated short circuit current	100 A
Output resistance Ra	2.0k + D + LED
Load capacitance max. (at Ue)	1 µF

Mechanical data

Connection type	Connector
Connector type	M12x1-S04
Housing material	CuZn
Surface protection	Nickel-plated
Sensing surface material	PA 12
Mounting length	30 mm
Shock rating	Shock, half-sinus, 30 gn, 11ms
Vibration rating	55 Hz, 1 mm ampl., 3x30 min
Degree of contamination	3
Tightening torque max.	15 Nm

Basic data

Basic standard	IEC 60947-5-2
----------------	---------------

Remarks

The sensor is functional again after the overload has been eliminated.
Embeddable: See installation notes for inductive sensors with extended switching distance 825357.
With connector, e.g. BKS-S 20-... total length = switch length +18 mm.



Definitions see main catalog

subject to change

Internet : www.balluff.com
Balluff Germany : +49 (0) 7158 173-0, 173-370
Balluff USA : 1-800-543-8390
Balluff China : +86 (0) 21-50 644131

1 (2)
Print date: 12.04.2013
Selection date: 12.04.2013

BES 516-325-G-E5-Y-S4

Ordering code:

Inductive sensor
M12x50 mm

DC, direct current
PNP/Normally open (NO)
Sn = 4 mm
Flush (shielded)
■ ■

BALLUFF
sensors worldwide

