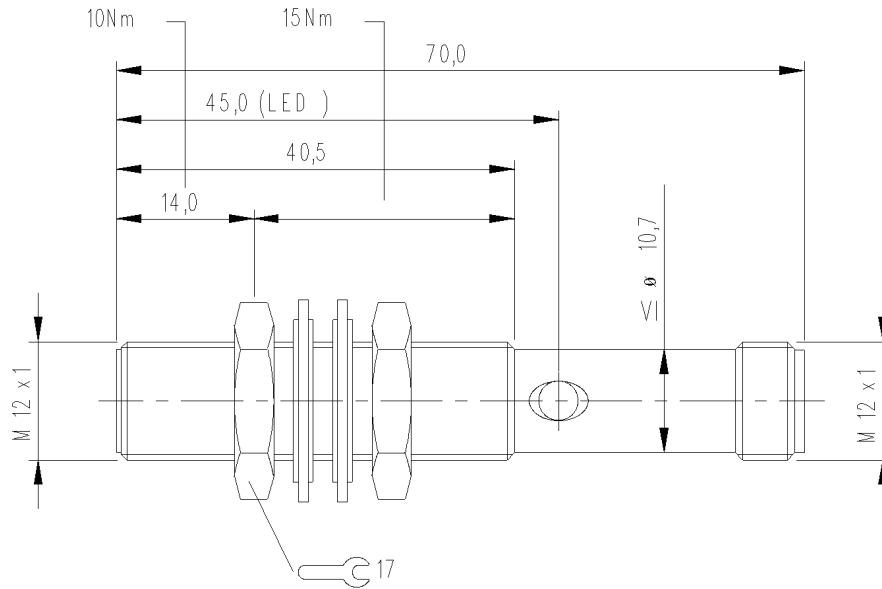


BES 516-325-G-S4-L  
BES03AR

PNP  
NO  
flush mountable



**Electrical data:**

Connection	Connector S4 (M12)
Electrical type	DC
No-load supply current undamped	8 mA
Off-state current max (I <sub>r</sub> )	80 µA
Operating frequency (f)	600 Hz
Voltage drop max. static	1,5 V
Time delay before availability	10 ms
Hysteresis max (H)	15 %
Ripple max. of U <sub>e</sub>	= 15 %
Supply voltage min. (U <sub>b</sub> )	10 V
Rated operational voltage (U <sub>e</sub> )	24 DC V
Load current capacity (I <sub>e</sub> )	200 mA
Utilization category	DC 13
Switching output	PNP
No-load supply current damped	= 20 mA
Switching element function	NO
Supply voltage max. (U <sub>b</sub> )	30 V

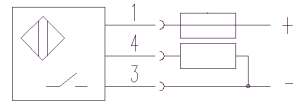
**General data:**

Approval	CE,c_ul_us
Output indication	yes
Degree of protection IP	IP67
Additional text 1	Miniature fuse according IEC60127-2 Sheet 1, ≤ 2 A (quick/acting). Fuse must be in load line. Fuse must not be in outp. line
Short circuit protected	no
Protected against polarity reversal	yes

**Mechanical data:**

Ambient temperature max	+70 °C
Housing material	CuZn, nickel plated
Repeat accuracy max. (R)	5 %
Rated operating distance (sn)	4 mm
Ambient temperature min	-25 °C
Diameter	M12x1 mm
Assured operating distance	0...2,9 mm
Mounting	flush mountable
Degree of pollution	3
Sensing face material	LCP

**Wiring:**



**Pinout:**

