

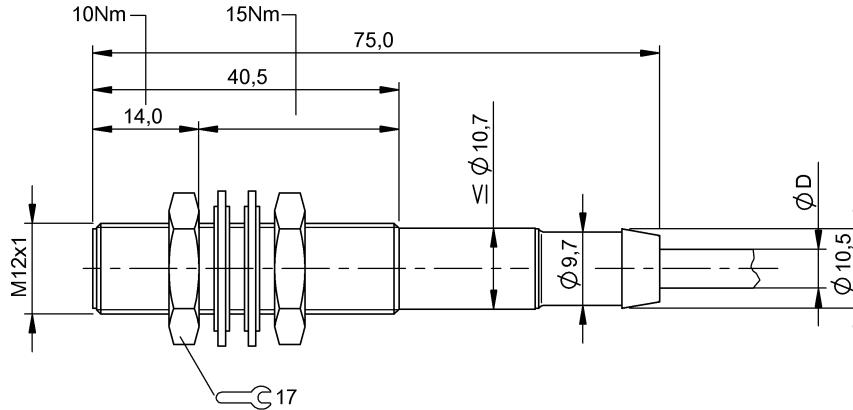
**BES 516-325-SA19-05**  
**: BES02HW**

Inductive sensor

M12x1 x 75,0 mm

DC, direct current  
 PNP / Normally open (NO)  
 Sn = 2,00 mm  
 Flush (shielded)

**BALLUFF**  
 sensors worldwide



**Sensing data**

Eff. operating distance Sr	2,00 mm
Tolerance Sr	±10 %
Assured operating distance Sa	1,60 mm
Hysteresis H max. (in % of Sr)	15,0 %
Repeat accur. R max. (% of Sr)	5,0 %
Ambient temperature Ta min.	-25 °C
Ambient temperature Ta max.	120 °C
Temp. drift max. (% of Sr)	10%
Switching freq. f max. (at Ue)	1.000 Hz
Ready delay tv max.	10 ms
Utilization category	DC 13
Function indicator	No
Power indicator	No

**Electrical data**

Eff. operating voltage Ue DC	24,0 V
Operating voltage UB min. DC	10,0 V
Operating voltage UB max. DC	30,0 V
Ripple max. (% of Ue)	15 %
Voltage drop static max.	1,8 V
Rated insulation voltage Ui	75 DC
Eff. operating current Ie	200 mA
Minimum operating current Im	0 mA
No-load current Io damped max.	25,0 mA
Max. no-load cur. Io undamped	12,0 mA
Off-state current Ir max.	80 µA
Short circuit protected	No
Recommended K-type SCP	Miniature fuse according IEC60127-2 Sheet 1, ≤ 2 A (quick/acting). Fuse must be in load line. Fuse must not be in outp. line.

Protected against miswiring	No
Polarity reversal protected	Yes
Rated short circuit current	100 A
Output resistance Ra	2.2k + D
Load capacitance max. (at Ue)	1,000 µF

**Mechanical data**

Housing material	CuZn
Surface protection	Nickel-plated
Tightening torque	10 Nm / 15 Nm
Sensing face material	PEEK
Mounting length	40,5 mm
Connection type	Cable
Cable jacket material	Silicon rubber
Cable diameter D max.	6,7 mm
Cable short description	SI-SL-O
Cable length	5,00 m
Number of conductors	3
Conductor cross-section	0.50 mm²
Enclosure Type per IEC 60529	IP68 according to BWN PR 20
Shock rating	Shock, half-sinus, 30 gn, 11ms
Vibration rating	55 Hz, 1 mm ampl., 3x30 min
Degree of contamination	3

**Approval**

Approvals / Conformity	CE
------------------------	----

**Remarks**

Recommendation: After a short circuit check the device for proper function.  
 Ta > 70 °C... < 120 °C: Ie = 200 - (Ta-70).  
 Basic standard IEC 60947-5-2

000000112550/518792/20110124

**BES 516-325-SA19-05**  
**: BES02HW**

Inductive sensor

M12x1 x 75,0 mm

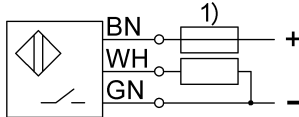
DC, direct current  
PNP / Normally open (NO)  
Sn = 2,00 mm  
Flush (shielded)

**BALLUFF**  
sensors worldwide



Definitions see general catalog

Subject to change without notice.



1) SC protection see E-Data

000000112550/518792/20110124

Internet : [www.balluff.com](http://www.balluff.com)  
Balluff Germany : +49 (0) 7158 173-0, 173-370  
Balluff USA : 1-800-543-8390  
Balluff China : +86 (0) 21-50 644131

2 (2)  
Print Date: 06.03.2012  
Selection date: 06.03.2012