



Shure Brothers Incorporated
 222 Hartrey Avenue
 Evanston IL 60202-3696 U.S.A.

Phone: 800-257-4873 Fax: 847-866-2279
 In Europe, Phone: 49-7131-72140 Fax: 49-7131-721414
 Internationally, Phone: 847-866-2200 Fax: 847-866-2585
 Web Address: <http://www.shure.com>

MODEL BETA 58A SUPERCARDIOID DYNAMIC VOCAL MICROPHONE

Specification Sheet

MODEL BETA 58A

DESCRIPTION

The Shure BETA 58A is a high output supercardioid dynamic vocal microphone designed for professional sound reinforcement and project studio recording. It maintains a true supercardioid pattern throughout its frequency range. This ensures high gain before feedback, maximum isolation from other sound sources, and minimum off-axis tone coloration. The BETA 58A has a shaped frequency response that is ideal for close-up vocals. The superb performance of this microphone is not affected by rough handling because of its rugged construction, proven shock mount system, and hardened steel mesh grille. Typical applications for the BETA 58A include lead vocals, backup vocals and speech.

Features

- *Frequency response tailored for vocals, with brightened midrange and bass rolloff to control proximity effect*
- *Uniform supercardioid pattern for high gain before feedback and superior rejection of off-axis sound*
- *Neodymium magnet for high signal-to-noise output*
- *Hardened steel mesh grille that resists wear and abuse*
- *Advanced pneumatic shock mount system that minimizes transmission of mechanical noise and vibration*
- *Minimally affected by varying load impedance*
- *Legendary Shure quality and reliability*

SPECIFICATIONS

Type

Dynamic (moving coil)

Frequency Response

50 to 16,000 Hz (see *Frequency Response*, page 2)

Polar Pattern

Supercardioid, rotationally symmetrical about microphone axis, uniform with frequency (see *Polar Patterns*, page 2)

Impedance

Rated at 150 Ω (290 Ω actual) for connection to microphone inputs rated low Z

Output Level (at 1,000 Hz)

Open Circuit Voltage: -71.5 dB* (0.27 mV)
 *0 dB = 1 v/μbar

Hum Pickup (at 60 Hz)

Maximum 15.0 mV in 10 oe field
 Maximum 26.5 dB equivalent SPL per 1 moe

Polarity

Positive pressure on diaphragm produces positive voltage on pin 2 with respect to pin 3

Case

Silver blue enamel-painted die cast metal with hardened, matte-finished, spherical steel mesh grille

Connector

Three-pin professional audio connector (male XLR)

Swivel Adapter

Slip-in, adjustable through 180°, with standard 5/8"-27 thread

Net Weight

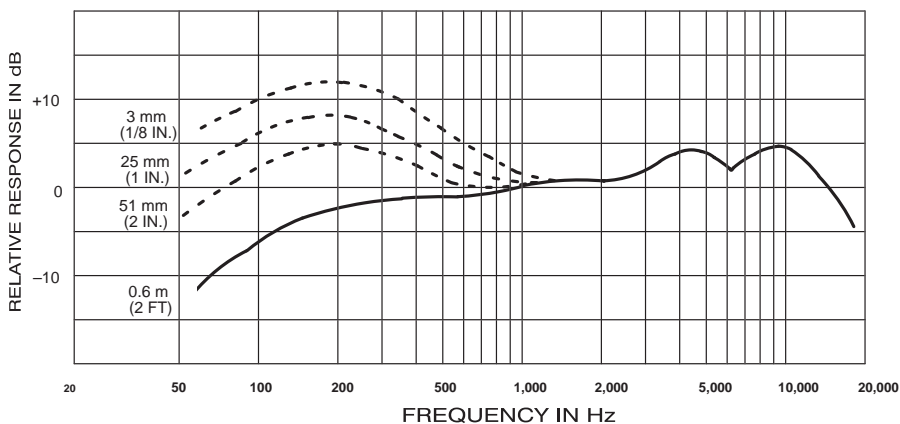
278 grams (9.92 oz)

Certification

Conforms to European Union directives, eligible to bear CE marking; meets European Union EMC Immunity Requirements (EN 50 082-1, 1992); RF radiated (IEC 801-3); ESD (IEC 801-2); EFT (IEC 801-4).

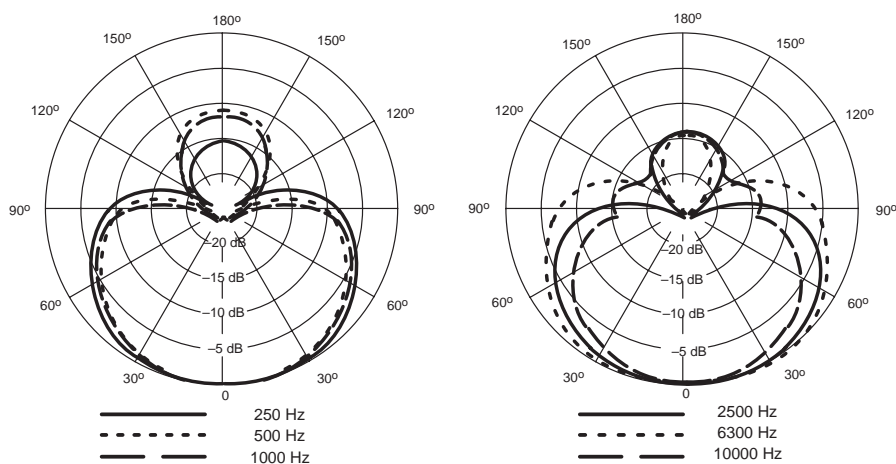
FURNISHED ACCESSORIES

- Swivel Adapter A25C
- Storage Bag 26A21
- 5/8" to 3/8" (Euro) Thread Adapter 95A2050

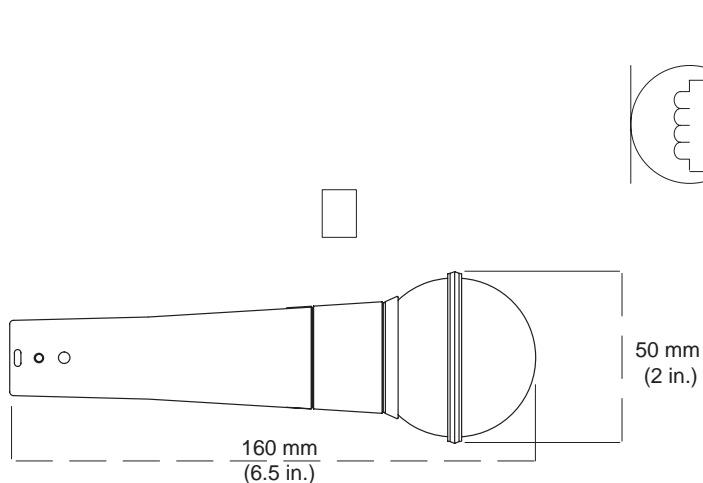


FREQUENCY RESPONSE

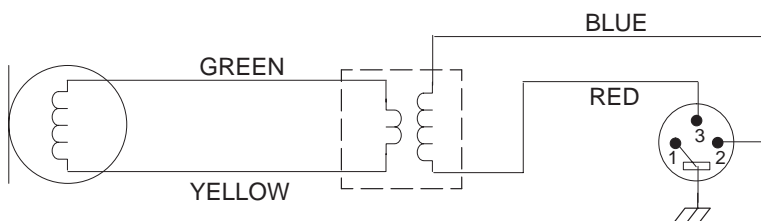
www.DataSheet4U.com



POLAR PATTERNS



DIMENSIONS



INTERNAL CONNECTIONS



THE SOUND OF PROFESSIONALS...WORLDWIDE®

Shure Brothers Incorporated
 222 Hartrey Avenue, Evanston, Illinois U.S.A. 60202-3696
 Phone: 1-847-866-2200 Fax: 1-847-866-2279
 In Europe: 49-7131-72140 Fax: 49-7131-721414
 Other International: 1-847-866-2200 Fax: 1-847-866-2585