



BYD Microelectronics Co., Ltd.

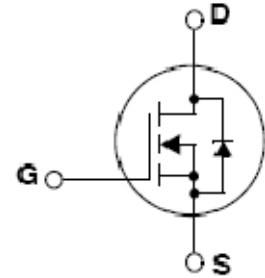
BF910N60/BF910N60L

600V N-Channel MOSFET

General Description

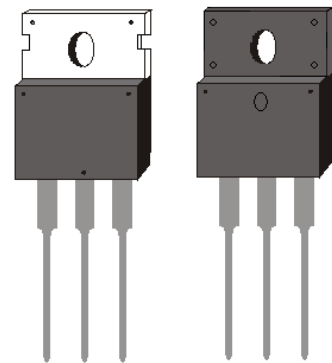
These N-Channel enhancement mode power field effect transistors are produced using DMOS technology.

This advanced technology has been especially tailored to minimize on-state resistance, provide superior switching performance, and withstand high energy pulse in the avalanche and commutation mode. These devices are well suited for high efficiency switched mode power supplies, active power factor correction, electronic lamp ballasts based on half bridge topology.



Features

- $V_{DS} = 600\text{ V}$
- $I_D = 10\text{ A}$
- $R_{DS(ON)} = 0.65\ \Omega$ TYP ($V_{GS} = 10\text{ V}, I_D = 5.0\text{ A}$)
- Low C_{RSS} (typical 16pF)
- Fast switching



TO220

TO220F

Absolute Maximum Ratings

Symbol	Parameter	BF910N60L	BF910N60	Unit
V_{DS}	Drain-Source Voltage	600		V
I_D	Drain Current(continuous)at $T_c=25^\circ\text{C}$	10		A
I_{DM}	Drain Current (pulsed) (Note1)	40		A
V_{GS}	Gate-Source Voltage	± 30		V
E_{AS}	SinglePulseAvalanche Energy (Note2)	490		mJ
I_{AR}	Avalanche Current (Note1)	10		A
E_{AR}	RepetitiveAvalancheEnergy (Note1)	13.9	4.8	mJ
dv/dt	PeakDiodeRecovery dv/dt (Note3)	5.0		V/ns
P_D	Power Dissipation ($T_c = 25^\circ\text{C}$)	139	48	W
T_{stg}	Storage Temperature Range	-55 to +150		$^\circ\text{C}$
T_L	Maximum Lead Temperature for Soldering Purpose	300		$^\circ\text{C}$



Ordering Information

Part Number	Package	Packaging
BF910N60	TO-220F	Tube
BF910N60L	TO-220	Tube

Thermal Data

Symbol	Parameter	TO-220F	TO-220	Unit
Rthj-case	Thermal Resistance Junction-case	2.6	0.9	°C/W
Rthj-amb	Thermal Resistance Junction-ambient	62.5	62.5	°C/W

Electrical Characteristics(T_c = 25°C)

Symbol	Parameter	Test Conditions	Min.	Typ.	Max.	Unit
V _{(BR)DSS}	Drain-source Breakdown Voltage	I _D =250uA, V _{GS} =0V	600			V
I _{DSS}	Zero Gate Voltage Drain Current	V _{DS} =600V, V _{GS} =0V			10	uA
		V _{DS} =600V, V _{GS} =0V, T _c =125°C			100	uA
I _{GSS}	Gate-body Leakage Current	V _{GS} =±30V, V _{DS} =0V			±100	nA
V _{GS(th)}	Gate Threshold Voltage	V _{DS} =V _{GS} , I _D =250uA	2.0		4.0	V
R _{DS(on)}	Static Drain-source On Resistance	V _{GS} =10V, I _D =5.0A		0.65	0.85	Ω
C _{iss}	Input Capacitance	V _{DS} =25V, f=1MHZ, V _{GS} =0V		1900		pF
C _{oss}	Output Capacitance			146		pF
C _{rss}	Reverse Transfer Capacitance			16		pF
t _{d(on)}	Turn-on Delay Time	V _{DD} =300V, I _D =5A V _{GS} =10V, R _G =4.7 Ω (Note4,5)		30		ns
t _r	Rise Time			18		ns
t _{d(off)}	Turn-off Delay Time			60		ns
t _f	Fall Time			24		ns
Q _g	Total Gate Charge	V _{DD} =480V, I _D =10A V _{GS} =10V (Note4,5)		55		nC
Q _{gs}	Gate-Source Charge			16		nC
Q _{gd}	Gate-Drain Charge			17.2		nC
V _{SD} (*)	Forward On Voltage	I _F =10A, V _{GS} =0V		0.81	1.2	V
T _{rr}	Reverse Recovery Time	V _{DD} =300V, I _F =10A, di/dt=100A/us (Note4)		450		ns

Notes:

1. Repetitive Rating : Pulse width limited by maximum junction temperature
 2. L = 10mH, I_{AS} = 9.5 A, V_{DD} = 50V, R_G = 25 Ω, Starting T_J = 25°C
 3. I_{SD} ≤ 10A, di/dt ≤ 200A/μs, V_{DD} ≤ BV_{DSS}, Starting T_J = 25°C
 4. Pulse Test : Pulse width ≤ 300μs, Duty cycle ≤ 2%
 5. Essentially independent of operating temperature
- (*).Pulsed:Pulse duration



Typical characteristics (25°C unless noted)

Figure 1 Output Characteristics

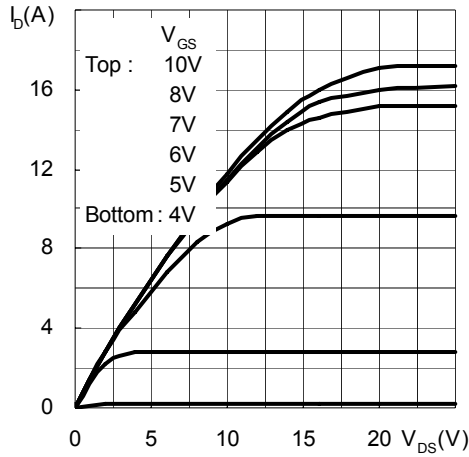


Figure 2 Transfer Characteristics

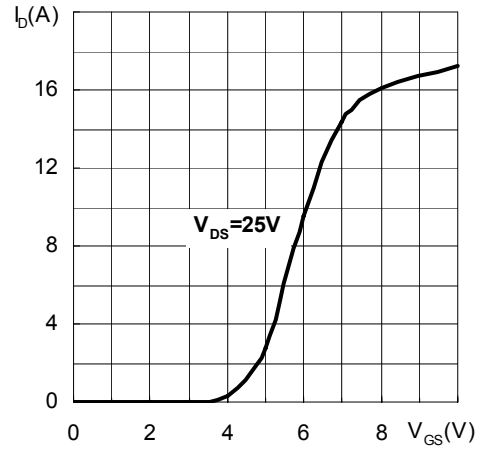


Figure 3 Normalized Threshold Voltage vs. Temperature

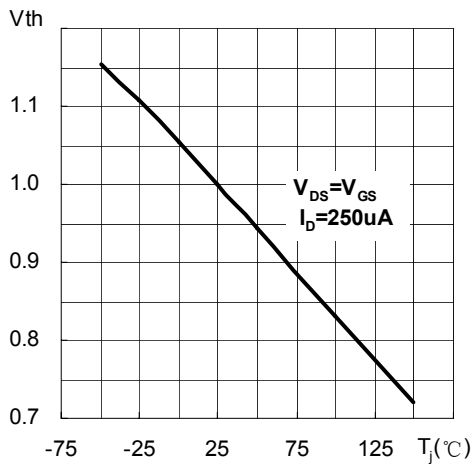


Figure 4 Normalized BV_{DSS} vs. Temperature

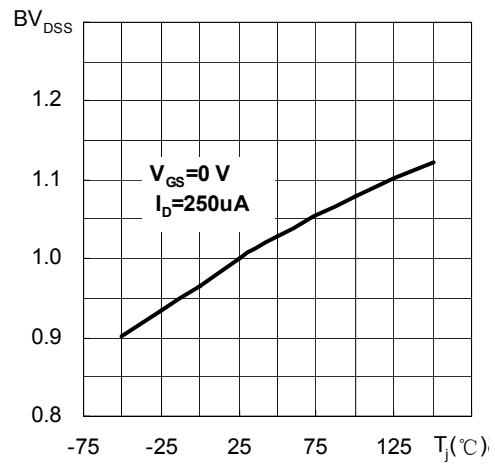


Figure 5 Normalized on Resistance vs Temperature

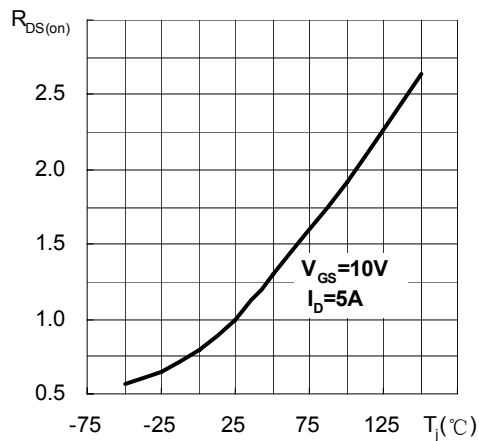


Figure 6 Source-Drain Diode Forward Characteristics

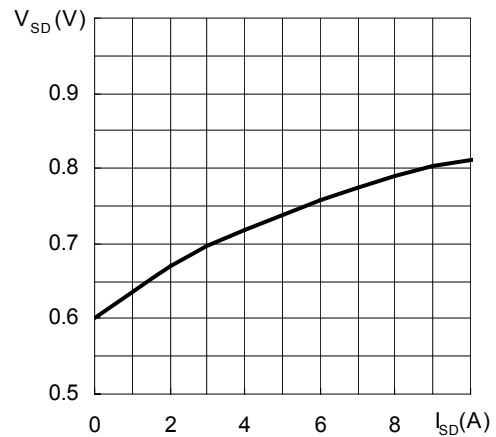




Figure 7 Capacitance

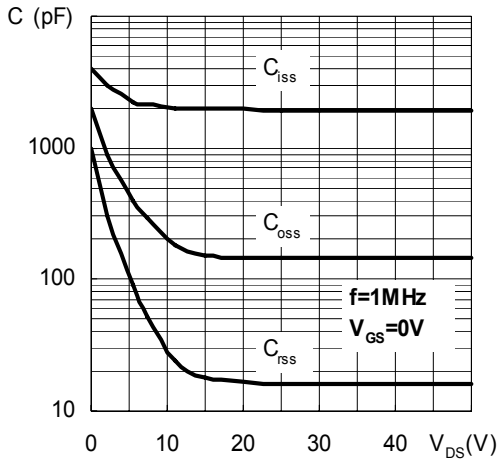


Figure 8 Gate Charge

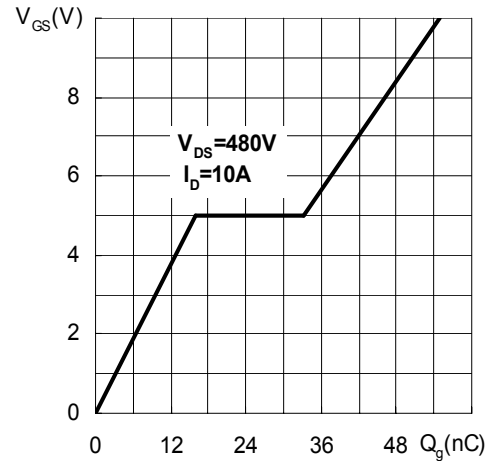


Figure 9-1 Maximum Safe Operating Area For BF910N60

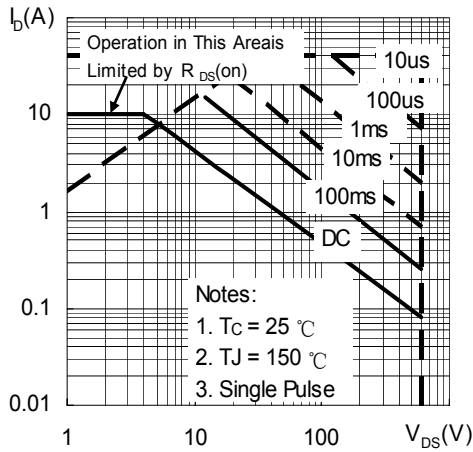


Figure 9-2 Maximum Safe Operating Area For BF910N60L

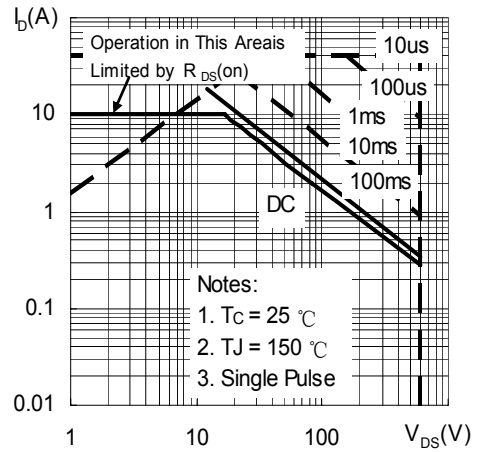


Figure 10 Maximum Drain Current vs Case Temperature

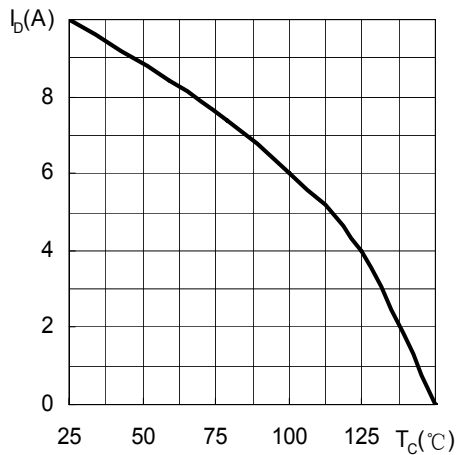


Figure 11-1 Maximum Transient Thermal Impedance For BF910N60

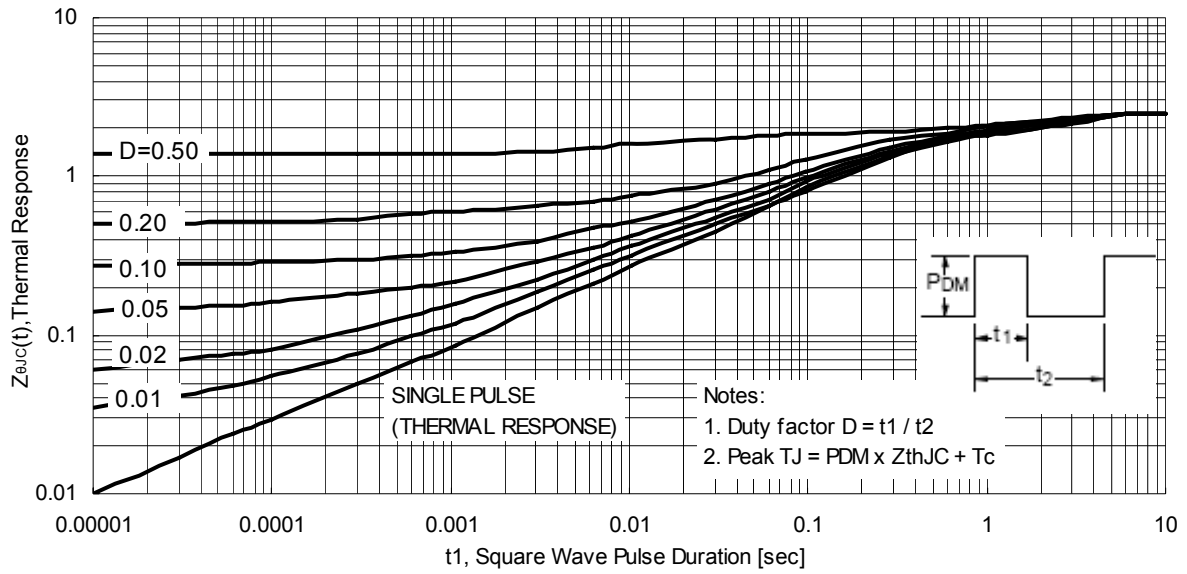
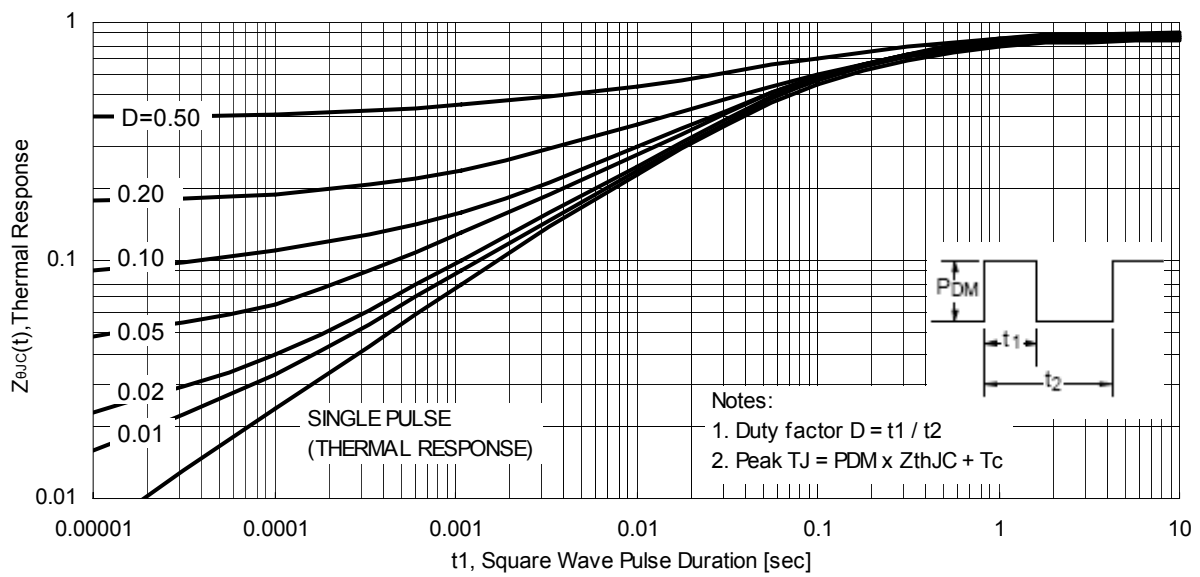
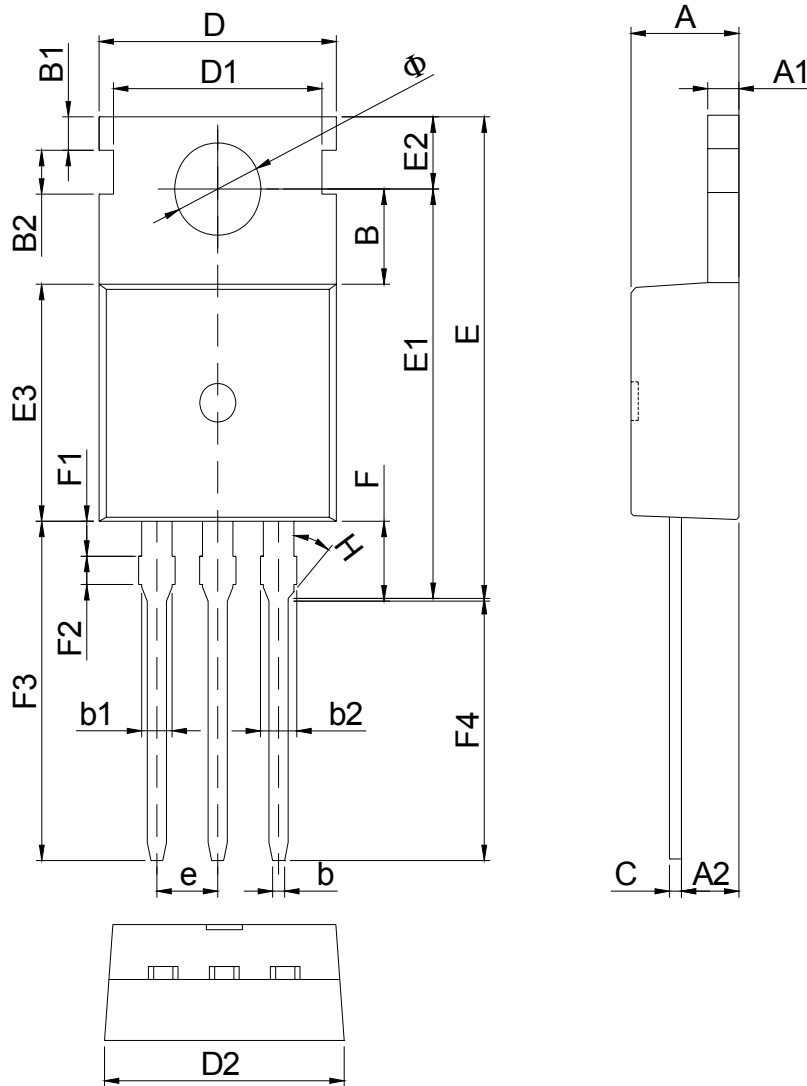


Figure 11-2 Maximum Transient Thermal Impedance For BF910N60L





Package Drawing
TO-220

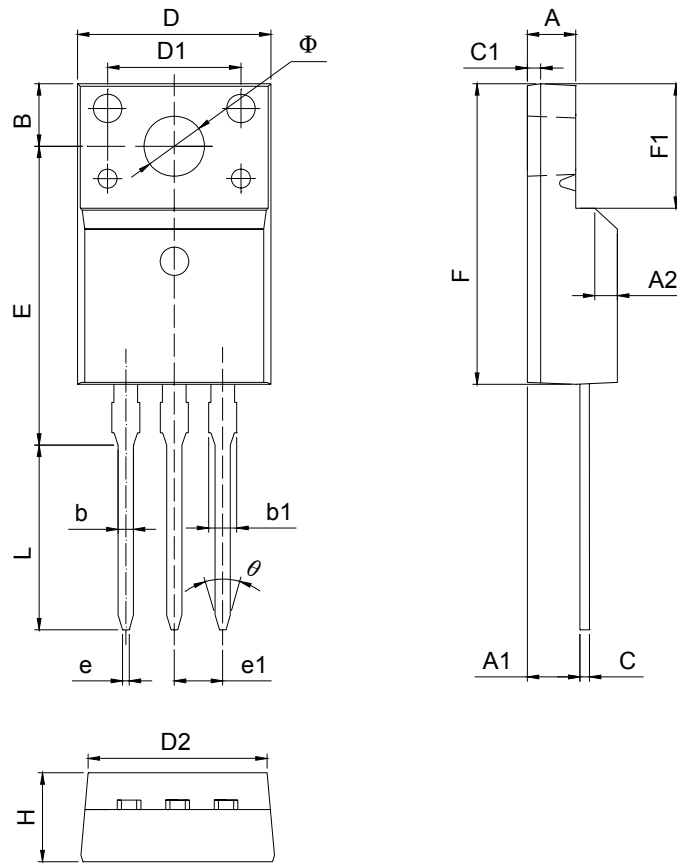




Symbol	Dimensions In Millimeters			Dimensions In Inches		
	Min	Nom	Max	Min	Nom	Max
A	4.45	4.50	4.55	0.175	0.177	0.179
A1	1.25	1.30	1.35	0.049	0.051	0.053
A2	2.20	2.40	2.60	0.087	0.094	0.102
B	-	3.70	-	-	0.146	-
B1	-	1.30	-	-	0.051	-
B2	-	1.70	-	-	0.067	-
b	0.70	0.80	0.90	0.028	0.031	0.035
b1	1.25	1.27	1.29	0.049	0.050	0.051
b2	1.42	1.52	1.62	0.056	0.060	0.064
C	0.45	0.50	0.55	0.018	0.020	0.022
D	9.85	9.90	9.95	0.388	0.390	0.392
D1	-	8.70	-	-	0.343	-
D2	9.98	10.00	10.02	0.393	0.394	0.394
E	-	-	18.95	-	-	0.746
E1	-	15.90	-	-	0.626	-
E2	-	2.80	-	-	0.110	-
E3	-	9.20	-	-	0.362	-
e	2.54 TYP			0.1 BSC		
F	-	3.00	-	-	0.118	-
F1	-	1.36	-	-	0.054	-
F2	-	1.10	-	-	0.043	-
F3	-	13.08	-	-	0.515	-
F4	10.03	10.08	10.13	0.395	0.397	0.399
φ	2.58	3.60	3.62	0.102	0.142	0.143
H	45°			45°		



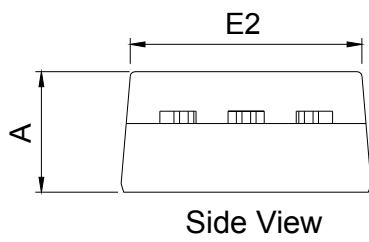
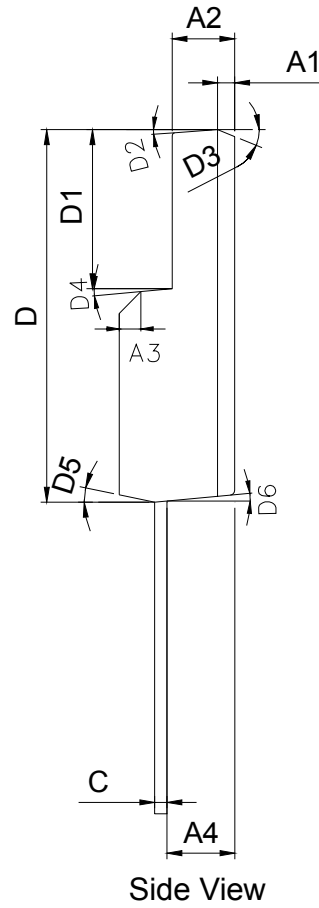
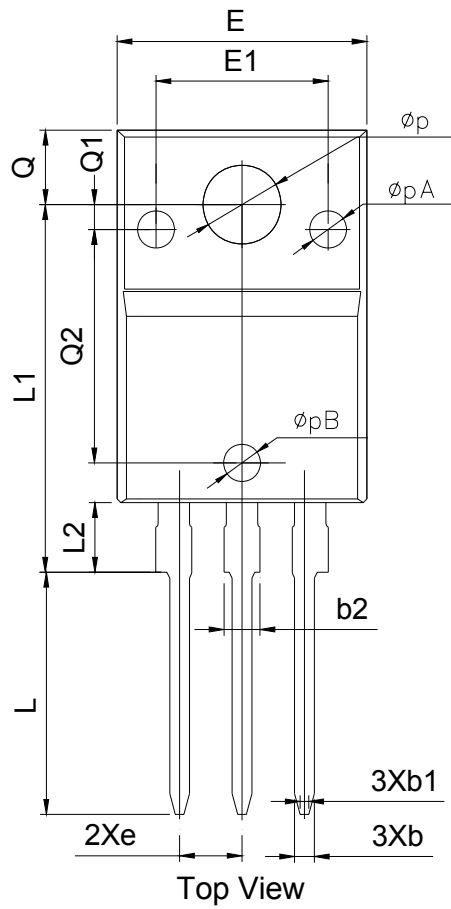
TO-220F(A)



Symbol	Dimensions In Millimeters			Dimensions In Inches		
	Min	Nom	Max	Min	Nom	Max
A	-	2.54	-	-	0.100	-
A1	-	2.76	-	-	0.109	-
A2	1.10*45°			1.10*45°		
B	-	3.3	-	-	0.130	-
b	0.78	0.80	0.82	0.031	0.031	0.032
b1	-	-	1.45	-	-	0.057
C	0.48	0.50	0.52	0.019	0.020	0.020
C1	-	0.70	-	-	0.028	-
D	10.15	10.16	10.17	0.400	0.400	0.400
D1	-	7.00	-	-	0.276	-
D2	-	9.32	-	-	0.367	-
e1	2.54 TYP			0.1 BSC		
e	0.30	0.35	0.40	0.012	0.014	0.016
E	15.52	15.57	15.62	0.611	0.613	0.615
F	15.55	15.60	15.65	0.612	0.614	0.616
F1	-	6.68	-	-	0.263	-
L	9.75	9.80	9.85	0.384	0.386	0.388
H	4.55	4.60	4.65	0.179	0.181	0.183
ϕ	3.19	3.24	3.29	0.126	0.128	0.130
θ	30°			30°		



TO-220F(B)





Symbol	Dimensions In Millimeters			Dimensions In Inches		
	Min	Nom	Max	Min	Nom	Max
A	4.50	4.70	4.90	0.177	0.185	0.193
A1	-	0.70	-	-	0.028	-
A2	2.34	2.54	2.74	0.092	0.100	0.108
A3	-	-	-	-	-	-
A4	2.66	2.76	2.86	0.105	0.109	0.113
b	0.70	0.80	0.90	0.028	0.031	0.035
b1	0.25	0.35	0.45	0.010	0.014	0.018
b2	-	-	1.47	-	-	0.058
C	0.40	0.50	0.60	0.016	0.020	0.024
D	14.80	15.00	15.20	0.583	0.591	0.598
D1	6.20	6.40	6.60	0.244	0.252	0.260
D2	-	-	-	-	-	-
D3	-	-	-	-	-	-
D4	-	-	-	-	-	-
D5	-	-	-	-	-	-
D6	-	-	-	-	-	-
e	2.54 BSC			0.1 BSC		
E	9.96	10.16	10.36	0.392	0.400	0.408
E1	-	-	-	-	-	-
E2	9.26	9.46	9.66	0.365	0.372	0.380
L	9.55	9.75	9.95	0.376	0.384	0.392
L1	14.60	14.80	15.00	0.575	0.583	0.591
L2	2.60	2.80	3.00	0.102	0.110	0.118
Q	2.90	3.00	3.10	0.114	0.118	0.122
Q1	-	-	-	-	-	-
Q2	-	-	-	-	-	-
ØP	3.08	3.18	3.28	0.121	0.125	0.129
ØPA	-	-	-	-	-	-
ØPB	-	-	-	-	-	-



RESTRICTIONS ON PRODUCT USE

- The information contained herein is subject to change without notice.
- BYD Microelectronics Co., Ltd. (short for BME) exerts the greatest possible effort to ensure high quality and reliability. Nevertheless, semiconductor devices in general can malfunction or fail due to their inherent electrical sensitivity and vulnerability to physical stress. It is the responsibility of the buyer, when utilizing BME products, to comply with the standards of safety in making a safe design for the entire system, including redundancy, fire-prevention measures, and malfunction prevention, to prevent any accidents, fires, or community damage that may ensue. In developing your designs, please ensure that BME products are used within specified operating ranges as set forth in the most recent BME products specifications.
- The BME products listed in this document are intended for usage in general electronics applications (personal equipment, office equipment, domestic appliances, etc.). These BME products are neither intended nor warranted for usage in equipment that requires extraordinarily high quality and/or reliability or a malfunction or failure of which may cause loss of human life or bodily injury ("Unintended Usage"). Unintended Usage include atomic energy control instruments, airplane or spaceship instruments, transportation instruments, traffic signal instruments, combustion control instruments, medical instruments, all types of safety devices, etc.. Unintended Usage of BME products listed in this document shall be made at the customer's own risk.
- BME is not responsible for any problems caused by circuits or diagrams described herein whose related industrial properties, patents, or other rights belong to third parties. The application circuit examples explain typical applications of the products, and do not guarantee the success of any specific mass-production design.