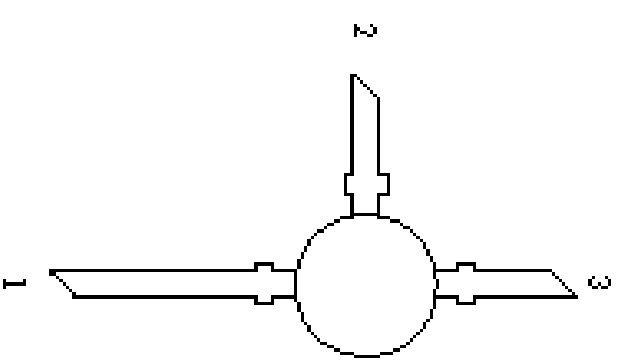
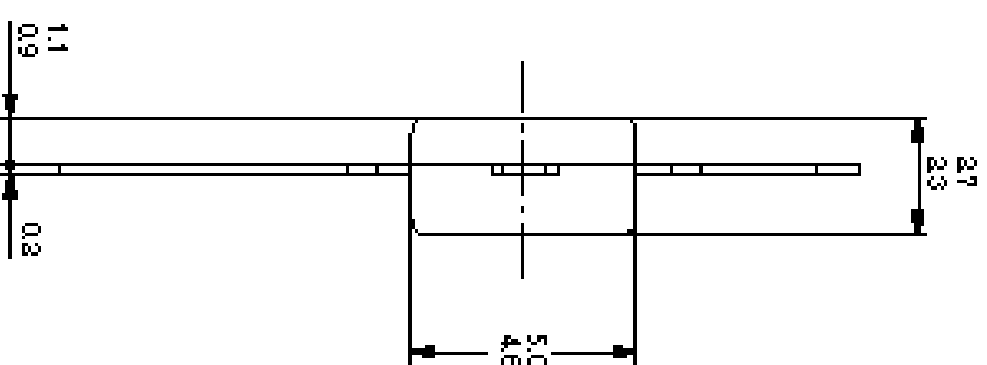
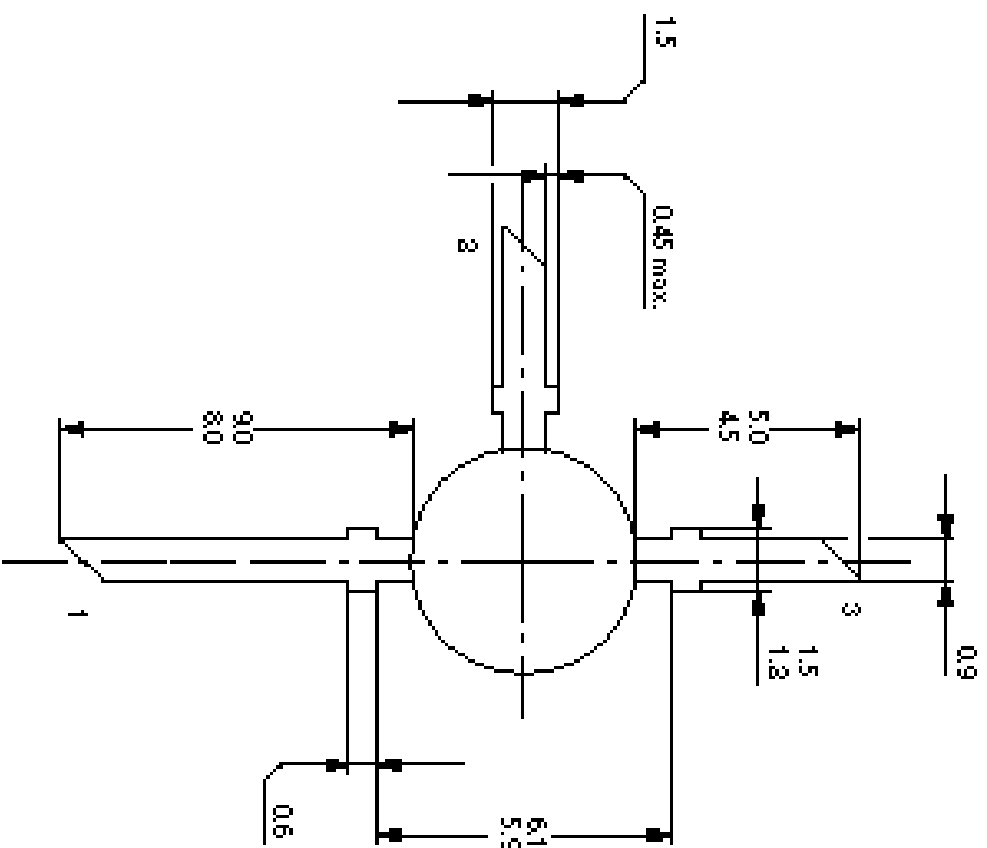


BFQ 65



1 = Collector; 2 = Emitter; 3 = Base

Absolute Maximum Ratings

Parameters	Symbol	V alue	Unit
Collector-base voltage	V_{CB0}	20	V
Collector-emitter voltage	V_{CE0}	10	V
Emitter-base voltage	V_{EB0}	2.5	V
Collector current	I_C	50	mA
Total power dissipation	P_{tot}	300	mW
Junction temperature	T_J	150	$^{\circ}C$
Storage temperature range	T_{stg}	-65 to +150	$^{\circ}C$