

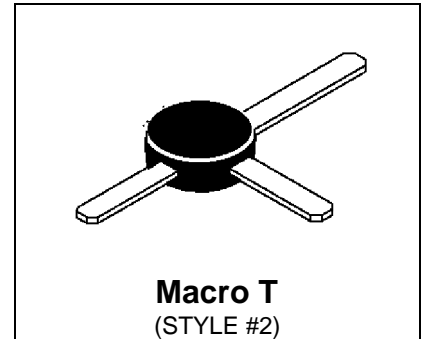
## RF & MICROWAVE DISCRETE LOW POWER TRANSISTORS

**BFR96**
**BFR96G**

\* G Denotes RoHS Compliant, Pb Free Terminal Finish

### Features

- High Current-Gain – Bandwidth Product,  $f_T = 4.5 \text{ GHz (typ) @ } I_C = 50 \text{ mA}$
- Low Noise Figure –  $NF = 2.4 \text{ dB (typ) @ } f = 0.5 \text{ GHz}$
- High Power Gain –  $G_{max} = 14.5\text{dB (typ) @ } f = 0.5 \text{ GHz}$



**DESCRIPTION:** Designed primarily for use in high-gain, low noise, small-signal amplifiers. Also used in applications requiring fast switching times.

### ABSOLUTE MAXIMUM RATINGS ( $T_{case} = 25^\circ\text{C}$ )

Symbol	Parameter	Value	Unit
$V_{CEO}$	Collector-Emitter Voltage	15	Vdc
$V_{CBO}$	Collector-Base Voltage	20	Vdc
$V_{EBO}$	Emitter-Base Voltage	3.0	Vdc
$I_C$	Collector Current	100	mA

### Thermal Data

$P_D$	Total Device Dissipation @ $T_C = 100^\circ\text{C}$ Derate above $100^\circ\text{C}$	500 10	mWatts mW/ $^\circ\text{C}$
-------	--	-----------	--------------------------------

<b>BFR96</b> <b>BFR96G</b>
-------------------------------

ELECTRICAL SPECIFICATIONS (Tcase = 25°C)

STATIC  
(off)

Symbol	Test Conditions	Value			Unit
		Min.	Typ.	Max.	
BVCEO	Collector-Emitter Breakdown Voltage (IC = 1.0 mAdc, IB = 0)	15	-	-	Vdc
BVCB0	Collector-Base Breakdown Voltage (IC = 0.1 mAdc, IE = 0)	20	-	-	Vdc
BVEBO	Emitter-Base Breakdown Voltage (IE = 0.1 mAdc, IC = 0)	3.0	-	-	Vdc
ICBO	Collector Cutoff Current (VCB = 10 Vdc, VBE = 0 Vdc)	-	-	100	nA

(on)

HFE	DC Current Gain (IC = 50 mAdc, VCE = 10 Vdc)	30	-	200	-
-----	---	----	---	-----	---

DYNAMIC

Symbol	Test Conditions	Value			Unit
		Min.	Typ.	Max.	
Ftau	Current-Gain – Bandwidth Product (IC = 50 mA, VCE = 10 Vdc, f = 0.5 GHz)	-	5.0	-	GHz
CCB	Output Capacitance (VCB = 10 Vdc, IE = 0, f = 1.0 MHz)	-	2.6	3.2	pF

<b>BFR96</b>
<b>BFR96G</b>

**FUNCTIONAL**

Symbol	Test Conditions	Value			Unit
		Min.	Typ.	Max.	
NF	Noise Figure (IC = 10 mAdc, VCE = 10 Vdc, f = 0.5 GHz)	-	2.0	-	dB
$ S_{21} ^2$	Insertion Gain (IC = 50 mAdc, VCE = 10 Vdc, f = 0.5 GHz)	12	13	-	dB
MSG	Maximum Stable Gain (IC = 50 mAdc, VCE = 10 Vdc, f = 0.5 GHz)	-	16.5	-	dB
$G_{U \max}$	Maximum Unilateral Gain (1) (IC = 50 mAdc, VCE = 10 Vdc, f = 0.5 GHz)	-	14.5	-	dB

**Table 1. Common Emitter S-Parameters, @ VCE = 10 V, IC = 50 mA**

f (MHz)	S11		S21		S12		S22	
	S11	$\angle \phi$	S21	$\angle \phi$	S12	$\angle \phi$	S22	$\angle \phi$
100	0.388	-130	21	112	0.029	66	0.416	-54
200	0.422	-158	11	94	0.046	89	0.277	-71
300	0.432	-168	7.5	86	0.064	72	0.229	-79
500	0.447	178	4.6	75	0.103	75	0.224	-92
700	0.454	170	3.4	65	0.144	74	0.246	-100
800	0.462	167	3	61	0.165	74	0.26	-103
1000	0.479	159	2.5	53	0.212	72	0.284	-112
1500	0.470	138	1.8	32	0.333	66	0.375	-134

**BFR96  
 BFR96G**

RF Low Power, PA, LNA, & General Purpose Selector Guide.

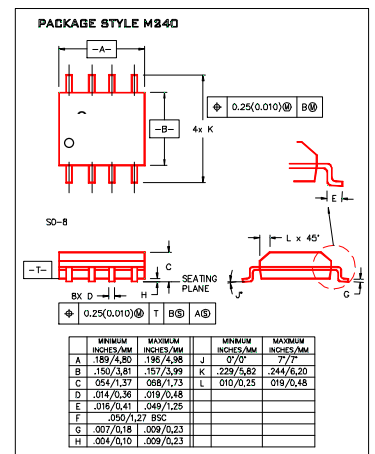
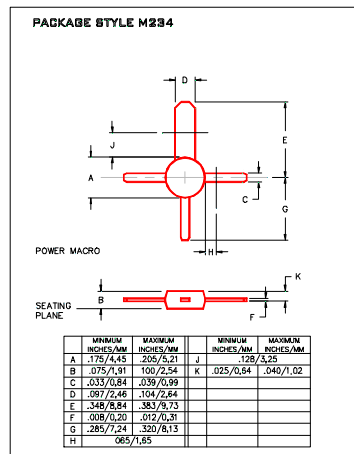
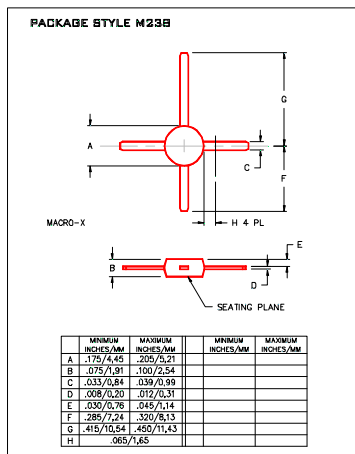
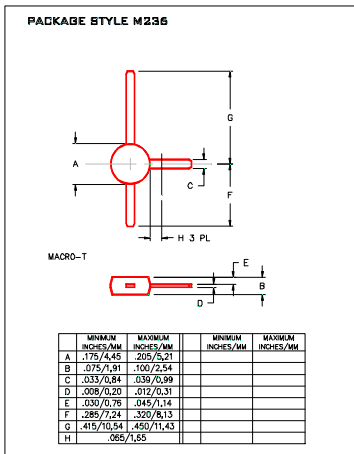
Package	Device	Type	GPE Freq (MHz)	Pout (watts)	GPE (dB)	Efficiency (%)	GPE VCC	BVCEO	IC max (mA)
SO-8	MRF4427, R2	NPN	175	0.15	18	60	12	20	400
TO-39	2N4427	NPN	175	1	10	50	12	20	400
POWER MACRO	MRF553	NPN	175	1.5	11.5	60	12.5	16	500
POWER MACRO	MRF553T	NPN	175	1.5	11.5	50	12.5	16	500
TO-39	MRF607	NPN	175	1.75	11.5	50	12.5	16	330
TO-39	2N6255	NPN	175	3	7.8	50	12.5	18	1000
TO-72	2N5179	NPN	200		20		6	12	50
MACRO X	MRF559	NPN	512	0.5	10	65	7.5	16	150
MACRO X	MRF559	NPN	512	0.5	13	60	12.5	16	150
TO-39	2N3866A	NPN	400	1	10	45	28	30	400
SO-8	MRF3866, R1, R2	NPN	400	1	10	45	28	30	400
POWER MACRO	MRF555	NPN	470	1.5	11	50	12.5	16	400
POWER MACRO	MRF555T	NPN	470	1.5	11	50	12.5	16	400
MACRO X	MRF559	NPN	870	0.5	6.5	70	7.5	16	150
MACRO X	MRF559	NPN	870	0.5	9.5	65	12.5	16	150
SO-8	MRF8372,R1,R2	NPN	870	0.75	8	55	12.5	16	200
POWER MACRO	MRF557	NPN	870	1.5	8	55	12.5	16	400
POWER MACRO	MRF557T	NPN	870	1.5	8	55	12.5	16	400

RF (Low Power PA / General Purpose) Selection Guide

Package	Device	Type	Freq (MHz)	NF (dB)	NF IC (mA)	NF VCE	GN (dB)	Gu Max (dB)	Ftau (MHz)	Ccb(pF)	BVCEO	IC max (mA)
TO-39	2N5109	NPN	200	3	10	15		12	1200	3.5	20	400
TO-39	MRF5943C	NPN	200	3.4	30	15		11.4	1000		30	400
SO-8	MRF5943, R1, R2	NPN	200	3.4	30	15		15	1300		30	400
TO-72	2N5179	NPN	200	4.5	1.5	6		17	900	1	12	50
TO-72	2N2857	NPN	300	5.5	50	6		13	1600	1	15	40
TO-39	MRF517	NPN	300	7.5	50	15		5.5	4600	3	25	150
TO-72	MRF904	NPN	450	1.5	5	6		11	4000	1	15	30
TO-72	2N6304	NPN	450	5	2	5		14	1400	1	15	50
MACRO T	BFR91	NPN	500	1.9	2	5	11	16.5	5000	1	12	35
MACRO T	BFR96	NPN	500	2	10	10		14.5	500	2.6	15	100
SO-8	MRF5812, R1, R2	NPN	500	2	50	10	15.5	17.8	5000		15	200
MACRO X	MRF581A	NPN	500	2	50	10	14	15	5000		15	200
Macro	BFR90	NPN	500	2.4	2	10	15	18	5000	1	15	30
TO-72	BFY90	NPN	500	2.5	2	5	20	20	1300		15	50
TO-72	MRF914	NPN	500	2.5	5	10		15	4500		12	40
MACRO X	MRF581	NPN	500	2.5	50	10	15	17.8	5000		16	200
TO-39	MRF586	NPN	500	3	90	15	11	14.5	4500	2.2	17	200
MACRO X	MRF951	NPN	1000	1.3	5	6	14	17	8000	0.45	10	100
MACRO X	MRF571	NPN	1000	1.5	10	6	10		8000	1	10	70
MACRO T	BFR91	NPN	1000	2.5	2	5	8	11	5000	1	12	35
MACRO T	BFR90	NPN	1000	3	2	10	10	12.5	5000	1	15	30
TO-39	MRF545	PNP						14	1400	2	70	400
TO-39	MRF544	NPN						13.5	1500		70	400

RF (LNA / General Purpose) Selection Guide

Low Cost Plastic Package Types



**BFR96  
 BFR96G**

Macro T

Macro X

Power Macro

SO-8

