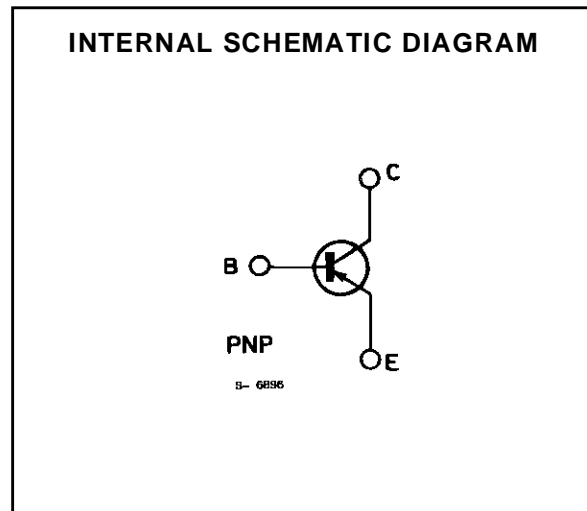
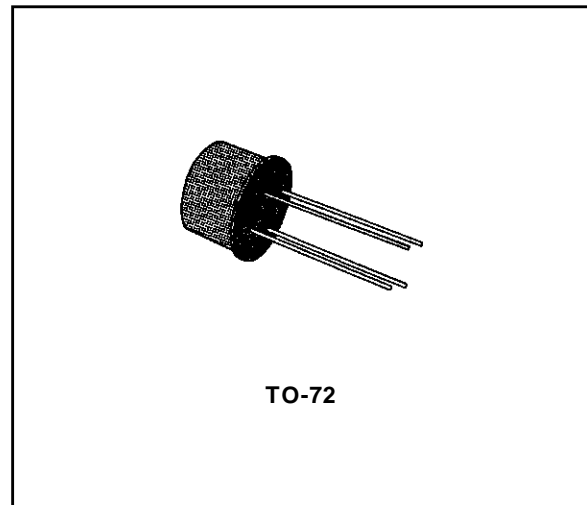


DESCRIPTION

The BFR99 is a silicon planar epitaxial PNP transistor in Jedec TO-72 metal case, particularly designed for wide band common-emitter linear amplifier applications up to 1GHz. It features high f_T , low reverse capacitance, good cross-modulation properties and low noise.



ABSOLUTE MAXIMUM RATINGS

Symbol	Parameter	Value	Unit
V_{CBO}	Collector-base Voltage ($I_E = 0$)	- 25	V
V_{CEO}	Collector-emitter Voltage ($I_B = 0$)	- 25	V
V_{EBO}	Emitter-base Voltage ($I_C = 0$)	- 3	V
I_C	Collector Current	- 50	mA
P_{tot}	Total Power Dissipation at $T_{amb} \leq 25\text{ }^\circ\text{C}$ at $T_{case} \leq 25\text{ }^\circ\text{C}$	225	mW
		360	mW
T_{stg}, T_j	Storage and Junction Temperature	- 55 to 200	$^\circ\text{C}$

BFR99

THERMAL DATA

$R_{th\ j-case}$	Thermal Resistance Junction–case	Max	486	°C/W
$R_{th\ j-amb}$	Thermal Resistance Junction–ambient	Max	777	°C/W

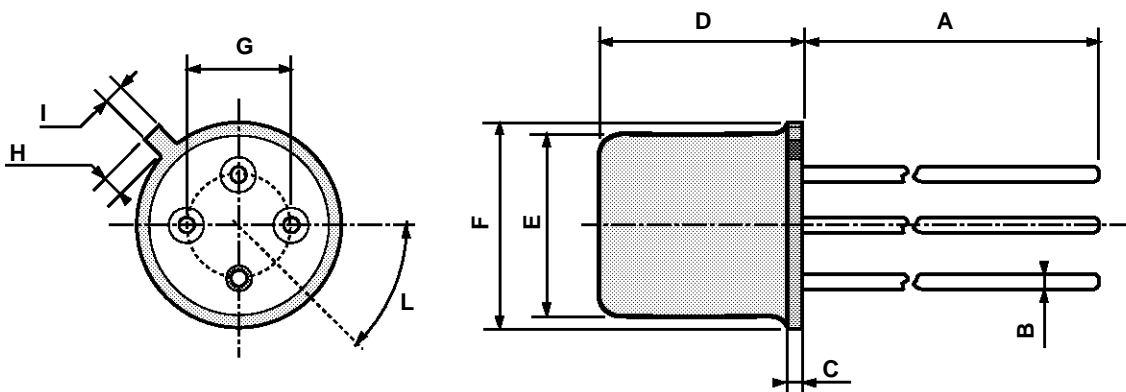
ELECTRICAL CHARACTERISTICS ($T_{amb} = 25\text{ °C}$ unless otherwise specified)

Symbol	Parameter	Test Conditions	Min.	Typ.	Max.	Unit
I_{CBO}	Collector Cutoff Current ($I_E = 0$)	$V_{CB} = -15\text{ V}$			- 100	nA
$V_{(BR)CBO}$	Collector–base Breakdown Voltage ($I_E = 0$)	$I_C = -100\text{ }\mu\text{A}$	- 25			V
$V_{CEO(sus)}^*$	Collector–emitter Sustaining Voltage ($I_B = 0$)	$I_C = -5\text{ mA}$	- 25			V
$V_{(BR)EBO}$	Emitter–base Breakdown Voltage ($I_C = 0$)	$I_E = -10\text{ }\mu\text{A}$	- 3			V
V_{BE}	Base–emitter Voltage	$I_C = -10\text{ mA}$ $V_{CE} = -10\text{ V}$		- 0.75		V
h_{FE}^*	DC Current Gain	$I_C = -1\text{ mA}$ $V_{CE} = -10\text{ V}$ $I_C = -10\text{ mA}$ $V_{CE} = -10\text{ V}$ $I_C = -20\text{ mA}$ $V_{CE} = -10\text{ V}$	25 20	75 80		
f_T	Transition Frequency	$I_C = -10\text{ mA}$ $V_{CE} = -15\text{ V}$ $f = 200\text{ MHz}$		2		GHz
C_{re}	Reverse Capacitance	$I_C = 0$ $V_{CE} = -15\text{ V}$ $f = 1\text{ MHz}$		0.4		pF
NF	Noise Figure	$I_C = -3\text{ mA}$ $V_{CE} = -15\text{ V}$ $R_g = 50\text{ }\Omega$ $f = 200\text{ MHz}$ $f = 800\text{ MHz}$ $I_C = -10\text{ mA}$ $V_{CE} = -15\text{ V}$ $R_g = 50\text{ }\Omega$ $f = 200\text{ MHz}$ $f = 800\text{ MHz}$		2.5 3.5 3 4	5	dB dB dB dB

* Pulsed : pulse duration = 300 μ s, duty cycle = 1%.

TO-72 MECHANICAL DATA

DIM.	mm			inch		
	MIN.	TYP.	MAX.	MIN.	TYP.	MAX.
A		12.7			0.500	
B			0.49			0.019
D			5.3			0.208
E			4.9			0.193
F			5.8			0.228
G	2.54			0.100		
H			1.2			0.047
I			1.16			0.045
L	45°			45°		



0016198

Information furnished is believed to be accurate and reliable. However, SGS-THOMSON Microelectronics assumes no responsibility for the consequences of use of such information nor for any infringement of patents or other rights of third parties which may result from its use. No license is granted by implication or otherwise under any patent or patent rights of SGS-THOMSON Microelectronics. Specifications mentioned in this publication are subject to change without notice. This publication supersedes and replaces all information previously supplied. SGS-THOMSON Microelectronics products are not authorized for use as critical components in life support devices or systems without express written approval of SGS-THOMSON Microelectronics.

© 1994 SGS-THOMSON Microelectronics - All Rights Reserved

SGS-THOMSON Microelectronics GROUP OF COMPANIES

Australia - Brazil - France - Germany - Hong Kong - Italy - Japan - Korea - Malaysia - Malta - Morocco - The Netherlands -
Singapore - Spain - Sweden - Switzerland - Taiwan - Thailand - United Kingdom - U.S.A