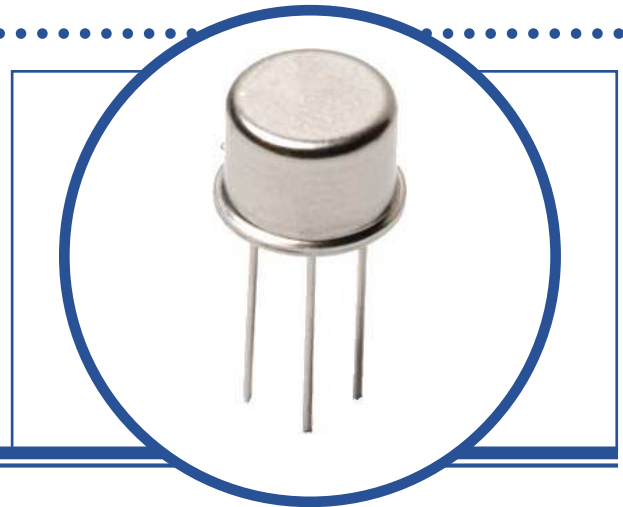


HIGH CURRENT GENERAL PURPOSE TRANSISTOR

BFX34

- Silicon Epitaxial NPN Transistor
- High Speed, Low Saturation Switch
- Hermetic TO39 Package
- Screening Options Available



ABSOLUTE MAXIMUM RATINGS ($T_C = 25^\circ\text{C}$ unless otherwise stated)

V_{CBO}	Collector – Base Voltage	120V
V_{CEO}	Collector – Emitter Voltage	60V
V_{EBO}	Emitter – Base Voltage	6V
I_B	Continuous Base Current	1.0A
I_C	Continuous Collector Current	2A
I_{CM}	Peak Repetitive Collector Current	5A
P_D	Total Power Dissipation at $T_A = 25^\circ\text{C}$	870mW
	$T_C = 25^\circ\text{C}$	5W
T_J	Junction Temperature Range	200°C
T_{stg}	Storage Temperature Range	-65 to +200°C

THERMAL PROPERTIES

Symbols	Parameters	Max.	Unit
$R_{\theta JA}$	Thermal Resistance, Junction To Ambient	200	°C/W
$R_{\theta JC}$	Thermal Resistance, Junction To Case	35	°C/W

Semelab Limited reserves the right to change test conditions, parameter limits and package dimensions without notice. Information furnished by Semelab is believed to be both accurate and reliable at the time of going to press. However Semelab assumes no responsibility for any errors or omissions discovered in its use. Semelab encourages customers to verify that datasheets are current before placing orders.

HIGH CURRENT GENERAL PURPOSE TRANSISTOR BFX34

ELECTRICAL CHARACTERISTICS ($T_A = 25^\circ\text{C}$ unless otherwise stated)

Symbols	Parameters	Test Conditions	Min.	Typ.	Max.	Unit
$V_{(BR)CBO}^{(1)}$	Collector-Base Breakdown Voltage	$I_C = 5\text{mA}$ $V_{BE} = 0$	120			V
$V_{(BR)CEO}^{(1)}$	Collector-Emitter Breakdown Voltage	$I_C = 10\text{mA}$ $I_B = 0$	60			
$V_{EBO}^{(1)}$	Emitter - Base Voltage	$I_E = 1.0\text{mA}$ $I_C = 0$	6			
$V_{CE(sat)}^{(1)}$	Collector-Emitter Saturation Voltage	$I_C = 5\text{A}$ $I_B = 0.5\text{A}$		0.4	1.0	
$V_{BE(sat)}^{(1)}$	Base-Emitter Saturation Voltage			1.3	1.6	
I_{CES}	Collector Cut-Off Current	$V_{CE} = 60\text{V}$ $V_{BE} = 0$		0.02	10	μA
I_{EBO}	Emitter Cut-Off Current	$V_{EB} = 4\text{V}$ $I_C = 0$		0.05	10	
h_{FE}	DC Current Gain	$I_C = 1.0\text{A}$ $V_{CE} = 2\text{V}$		100		-
		$I_C = 1.5\text{A}$ $V_{CE} = 0.6\text{V}$		75		
		$I_C = 2\text{A}$ $V_{CE} = 2\text{V}$	40	80	150	

DYNAMIC CHARACTERISTICS

f_T	Transition Frequency	$I_C = 0.5\text{A}$ $V_{CE} = 5\text{V}$ $f = 20\text{MHz}$	70	100		MHz
C_{obo}	Output Capacitance	$V_{CB} = 10\text{V}$ $f = 1.0\text{MHz}$		40	100	pF
C_{ibo}	Input Capacitance	$V_{EB} = 0.5\text{V}$ $f = 1.0\text{MHz}$		300	500	
t_{on}	Turn on Time	$V_{CC} = 20\text{V}$ $I_C = 0.5\text{A}$			0.6	μs
t_{off}	Turn off Time	$I_{B1} = -I_{B2} = 50\text{mA}$			1.2	

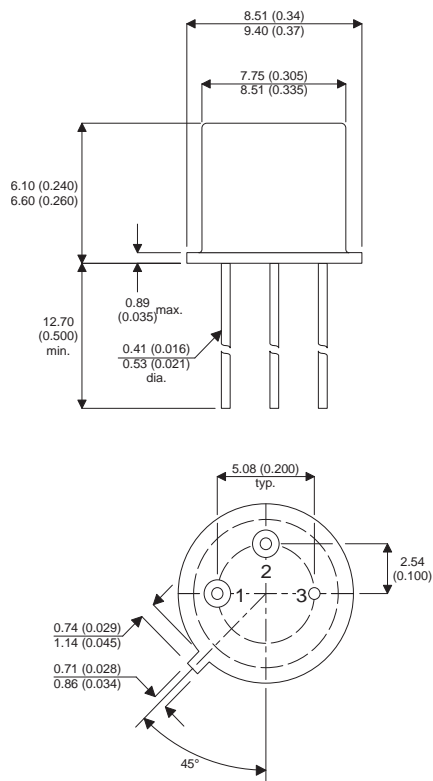
Notes

(1) Pulse Width $\leq 300\mu\text{s}$, $\delta \leq 2\%$

HIGH CURRENT GENERAL PURPOSE TRANSISTOR BFX34

MECHANICAL DATA

Dimensions in mm (inches)



TO39 (TO-205AD) METAL PACKAGE

Underside View

PIN 1 - Emitter

PIN 2 - Base

PIN 3 - Collector