

# BGR405

NPN Silicon RF Transistor With Bias Circuitry

Small Signal Discretes



Never stop thinking

**Edition 2008-06-06**

**Published by Infineon Technologies AG,  
85579 Neubiberg, Germany**

**© Infineon Technologies AG 2008.  
All Rights Reserved.**

**Attention please!**

The information herein is given to describe certain components and shall not be considered as a guarantee of characteristics.

Terms of delivery and rights to technical change reserved.

We hereby disclaim any and all warranties, including but not limited to warranties of non-infringement, regarding circuits, descriptions and charts stated herein.

**Information**

For further information on technology, delivery terms and conditions and prices please contact your nearest Infineon Technologies Office ([www.infineon.com](http://www.infineon.com)).

**Warnings**

Due to technical requirements components may contain dangerous substances. For information on the types in question please contact your nearest Infineon Technologies Office.

Infineon Technologies Components may only be used in life-support devices or systems with the express written approval of Infineon Technologies, if a failure of such components can reasonably be expected to cause the failure of that life-support device or system, or to affect the safety or effectiveness of that device or system. Life support devices or systems are intended to be implanted in the human body, or to support and/or maintain and sustain and/or protect human life. If they fail, it is reasonable to assume that the health of the user or other persons may be endangered.

---

**BGR405, NPN Silicon RF Transistor With Bias Circuitry**

**Revision History: 2008-06-06, Rev. 1.0**

Prevision History: no previous version

<b>Page</b>	<b>Subjects (major changes since last revision)</b>

**Trademarks**

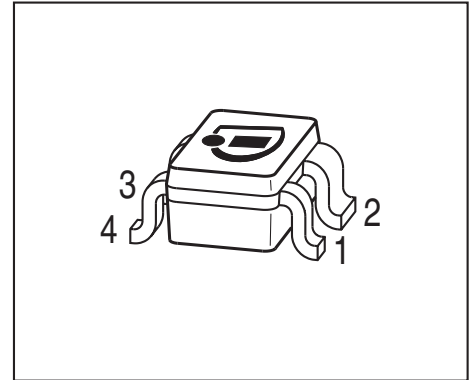
SIEGET<sup>®</sup> is a registered trademark of Infineon Technologies AG.

# 1 NPN Silicon RF Transistor With Bias Circuitry\*

## Features

- Noise figure  $NF = 1.0$  dB at 0.4 GHz
- Gain  $S_{21} = 7.5$  dB at 0.4 GHz
- On chip bias circuitry, 0.85 mA bias current at  $V_{CC} = 1.2$  V
- SIEGET ® 25 GHz  $f_T$ -Line
- Pb-free (RoHS compliant) package

\* Short term description



## Applications

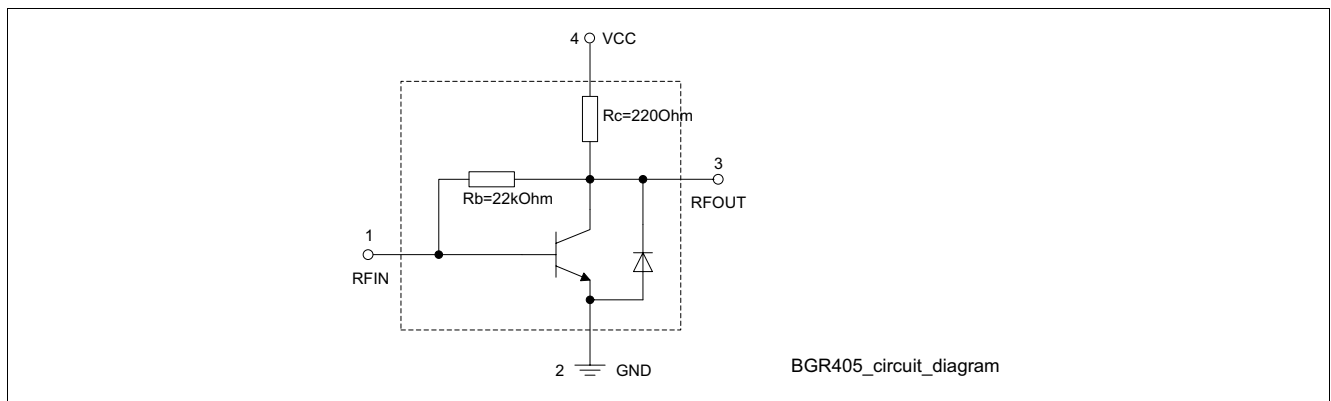
- LNAs

# 2 Description

The BGR405 is a monolithic silicon amplifier with a NPN silicon RF transistor and integrated resistors for biasing.

Type	Package	Marking
BGR405	SOT343	AVs

*Note: ESD (Electrostatic discharge) sensitive device, observe handling precaution!*



**Figure 1** Circuit diagram

*Note: Due to design there is an additional diode between emitter and collector, which does not effect normal operation for common emitter configuration.*

**Table 1 Pinning table**

Pin	Function
1	RFIN
2	GND
3	RFOUT
4	VCC

## 2.1 Maximum Ratings

*Note: All Voltages refer to GND-node*

**Table 2 Maximum ratings**

Parameter	Symbol	Value	Unit
Current at pin VCC	$I_{CC}$	12	mA
Voltage at pin VCC	$V_{CC}$	5	V
Current at pin RFIN	$I_B$	0.8	mA
Voltage at pin RFIN	$V_B$	2	V
Current at pin RFOUT <sup>1)</sup>	$I_{OUT}$	12	mA
Voltage at pin RFOUT	$V_{OUT}$	4.1	V
Total power dissipation <sup>2)</sup> $T_S = 120\text{ °C}$	$P_{tot}$	50	mW
Operation junction temperature range	$T_{jo}$	-65... 150	°C
Storage junction temperature range	$T_{jstg}$	-65... 150	°C

1) Applicable if VCC and RFOUT are shorted, otherwise a coupling capacitor at RFOUT is demanded

2)  $T_S$  is measured on the emitter (GND) lead at the soldering point to the pcb

*Note: Stresses above the max. values listed here may cause permanent damage to the device. Exposure to absolute maximum rating conditions even only for a short moment may affect device reliability. Maximum ratings are absolute ratings; exceeding only one of these values may cause irreversible damage to the integrated circuit. Absolute maximum ratings typically differ heavily from recommended operation conditions.*

## 2.2 Thermal Resistance

**Table 3 Thermal Resistance**

Parameter	Symbol	Value	Unit
Junction - soldering point <sup>1)</sup>	$R_{thJS}$	≤ 595	K/W

1) For calculation of  $R_{thJA}$  please refer to Application Note Thermal Resistance.

### 3 Electrical Characteristics

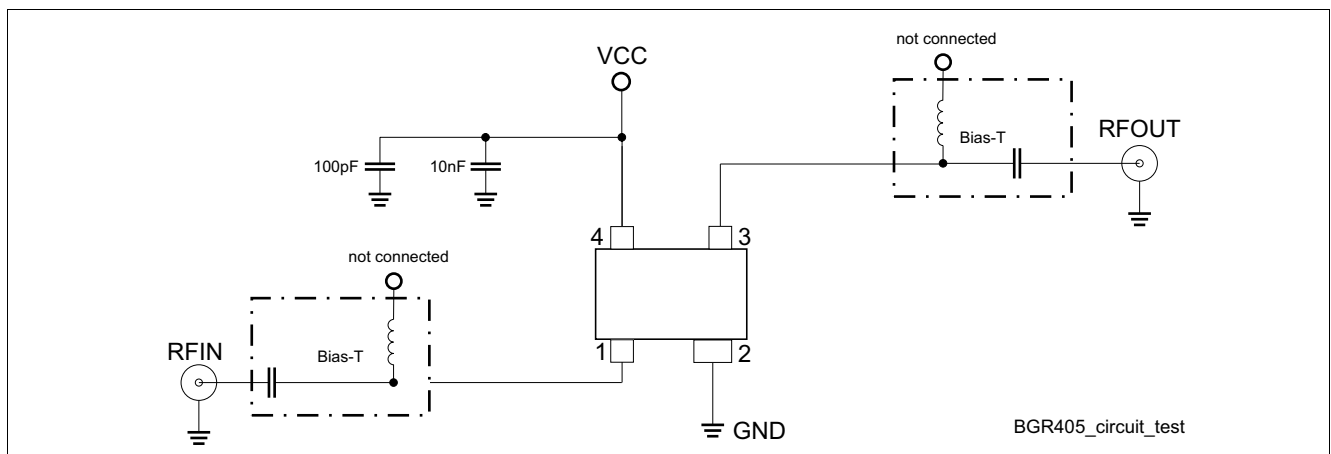
**Table 4 DC characteristics at  $T_A = 25\text{ °C}$ , unless otherwise specified**

Parameter	Symbol	Values			Unit	Note / Test Condition
		Min.	Typ.	Max.		
Device current	$I_{CC}$	0.6	0.85	1.1	mA	$V_{CC} = 1.2\text{ V}$

**Table 5 AC characteristics (measured in test circuit [Figure 2](#); verified by random sampling)  
 $T_A = 25\text{ °C}$ ,  $V_{CC} = 1.2\text{ V}$ ,  $Z_0 = 50\text{ }\Omega$ , unless otherwise specified**

Parameter	Symbol	Values			Unit	Note / Test Condition
		Min.	Typ.	Max.		
Insertion power gain	$S_{21}$		7.5 7.0		dB	$F = 0.4\text{ GHz}$ $f = 1.8\text{ GHz}$
Reverse isolation	$S_{12}$		-37 -25		dB	$F = 0.4\text{ GHz}$ $f = 1.8\text{ GHz}$
Noise figure, $Z_S = Z_{Sopt}$	$NF$		1.0 1.6		dB	$F = 0.4\text{ GHz}$ $f = 1.8\text{ GHz}$
Third order intercept point at the output <sup>1)</sup>	$OIP_3$		-9 14.5		dBm	$F = 0.4\text{ GHz}$ , $V_{CC} = 1.2\text{ V}$ $f = 1.8\text{ GHz}$ , $V_{CC} = 4\text{ V}$
1 dB compression point at the output	$OP_{-1dB}$		-19 -0.5		dBm	$F = 0.4\text{ GHz}$ , $V_{CC} = 1.2\text{ V}$ $f = 1.8\text{ GHz}$ , $V_{CC} = 4\text{ V}$
Return loss input	$S_{11}$		-0.4 -1.8		dB	$F = 0.4\text{ GHz}$ $f = 1.8\text{ GHz}$
Return loss output	$S_{22}$		-4.0 -6.0		dB	$F = 0.4\text{ GHz}$ $f = 1.8\text{ GHz}$

1)  $OIP_3$  value depends on termination of all intermodulation frequency components. Termination used for this measurement is  $50\text{ }\Omega$  from 0.1 MHz to 6 GHz.


**Figure 2 BGR405 test circuit**

## 4 Package Information

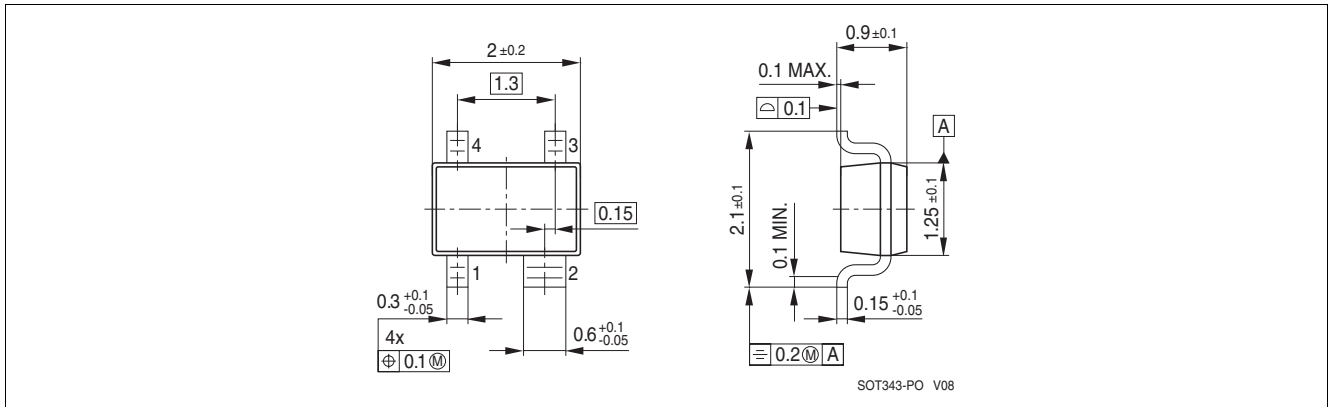


Figure 3 Package Outline SOT343

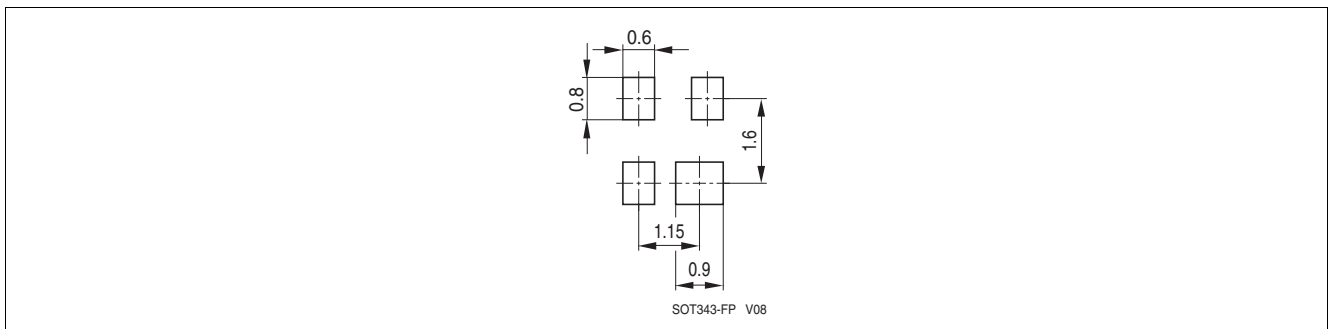


Figure 4 Footprint of SOT343

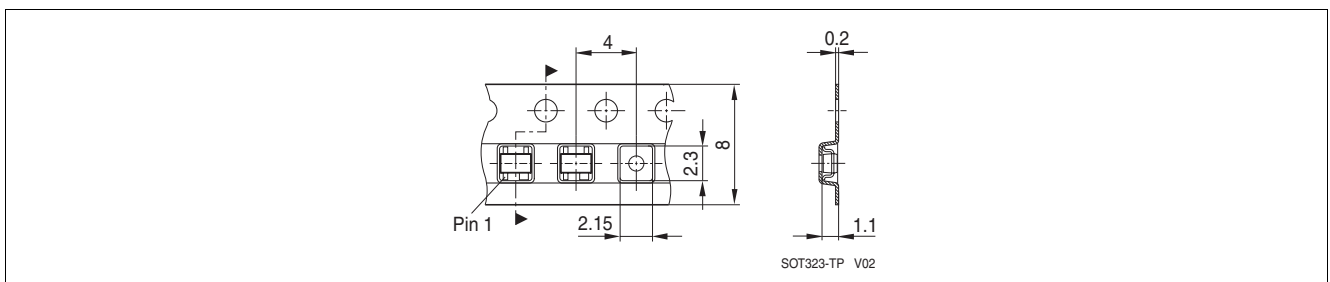


Figure 5 Tape of SOT343