

Input selector for high resolution displays

BH7659S / BH7659FS

The BH7659S / BH7659FS are input signal switching ICs developed for high resolution displays that have three $f_c = 250\text{MHz}$ wide-band video switching circuits for RGB video signal switching and four CMOS analog switching circuits for switching between H_b and V_b signals as well as I²C bus signals (SDA and SCL).

●Applications

High-resolution displays and high-definition TVs

●Features

- 1) Operates with a 5V power supply voltage.
- 2) Built-in, wide-band switching circuit for RGB switching ($f_c = 250\text{MHz}$).
- 3) SDA and SCL as well as H_b and V_b signal switching is possible.
- 4) Built-in power save function.

●Absolute maximum ratings ($T_a = 25^\circ\text{C}$)

Parameter	Symbol	Limits	Unit
Power supply voltage	V_{cc}	8.0	V
Power dissipation	Pd	1300*1 (SDIP32)	mW
		800*2 (SSOP-A32)	
Operating temperature	T_{opr}	- 25 ~ + 75	°C
Storage temperature	T_{stg}	- 55 ~ + 125	°C

*1 Reduced by 13mW for each increase in T_a of 1°C over 25°C.

*2 Reduced by 8.0mW for each increase in T_a of 1°C over 25°C.

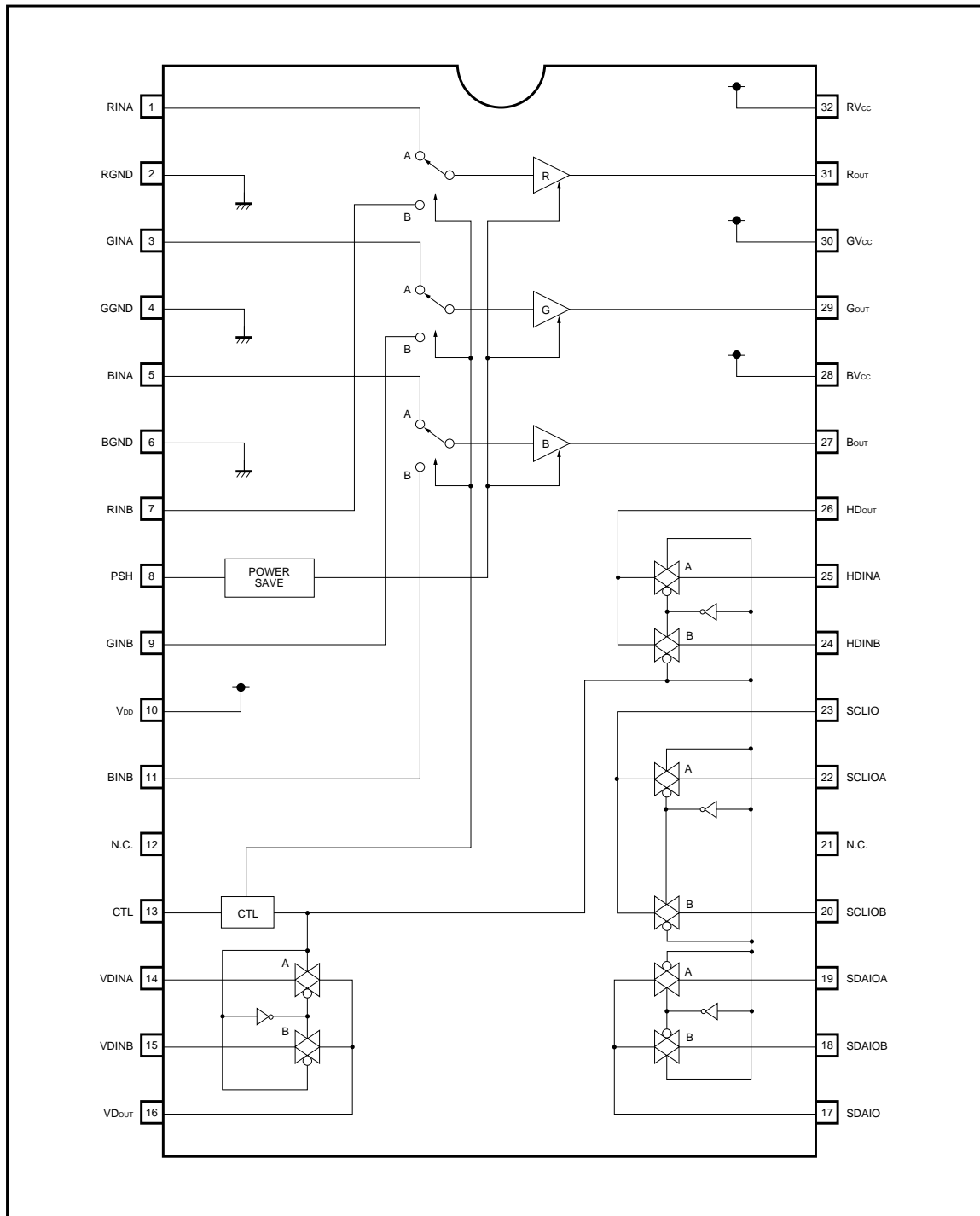
●Recommended operating conditions ($T_a = 25^\circ\text{C}$)

Parameter	Symbol	Min.	Typ.	Max.	Unit
Operating power supply voltage	V_{cc}	4.5	5.0	5.5	V

© Not designed for radiation resistance.

Multimedia ICs

●Block diagram



Multimedia ICs

●Input / Output equivalent circuits

Pin No.	Pin description (pin name)	Reference potential	Input / output circuit	Function
1 3 5 7 9 11	Red signal input A (RINA) Green signal input A (GINA) Blue signal input A (BINA) Red signal input B (RINB) Green signal input B (GINB) Blue signal input B (BINB)	3.5V when selected 0V when not selected ⁸		Switches between the two RGB signaling systems. Input B is selected by setting the CTL pin to high and input A to low.
27 29 31	Blue signal output (BOUT) Green signal output (GOUT) Red signal output (ROUT)	1.85V		Power save activates by setting the PSH pin to high.
8 9	Power save input (PSH) Control input (CTL)	0V		PSH Power save off $\leq 1.5V$ Power save on $\geq 3.5V$ CTL Input A $\geq 3.5V$ Input B $\leq 1.5V$

Multimedia ICs

Pin No.	Pin description (pin name)	Reference potential	Input / output circuit	Function
14	VD signal input A (VDINA)	0V		<p>Switches between the two VD, HD, SDA, and SCL signaling systems.</p> <p>Input B is selected by setting the CTL pin to high and input A to low.</p> <p>Bi-directional I / O is possible with CMOS analog switch</p>
15	VD signal input B (VDINB)			
16	VD signal output (VDOUT)			
17	SDA signal I / O (SDAIO)			
18	SDA signal I / O B (SDAIOB)			
19	SDA signal I / O A (SDAIOA)			
20	SCL signal I / O B (SCLIOB)			
22	SCL signal I / O A (SCLIOA)			
24	SCL signal I / O (SCLIO)			
25	HD signal input B (HDINB)			
26	HD signal input A (HDINA)			
27	HD signal output (HDOUT)			
2	Red ground (RGND)	0V	—	Red video SW block GND
4	Green ground (GGND)	0V	—	Green video SW block GND
6	Blue ground (BGND)	0V	—	Blue video SW block and CMOS SW block GND
10	CMOS power supply voltage (V _{DD})	5V	—	CMOS SW block V _{DD}
28	Blue power supply voltage (BV _{CC})	5V	—	Blue video SW block V _{CC}
30	Green power supply voltage (GV _{CC})	5V	—	Green video SW block V _{CC}
32	Red power supply voltage (RV _{CC})	5V	—	Red video SW block V _{CC}

Multimedia ICs

● **Electrical characteristics** (unless otherwise noted, $V_{CC}=5.0V$, $T_a = 25^\circ C$)

Parameter	Symbol	Min.	Typ.	Max.	Unit	Conditions
(Overall device)						
Circuit current	I_{CC}	15	25	35	mA	—
Circuit current during power save	I_{PSV}	7	14	22	mA	PS = "H"
(R, G, and B video switches)						
Voltage gain	G_V	-1.0	-0.5	0	dB	$f = 10MHz$
Interchannel relative gain	ΔG_{VC}	-0.5	0	0.5	dB	$f = 10MHz$
Interblock relative gain	ΔG_{VB}	-0.5	0	0.5	dB	$f = 10MHz$
Output dynamic range	V_{OM}	2.6	—	—	V_{P-P}	$f = 1kHz$
(CMOS analog switch)						
On-resistance	R_{ON}	—	200	400	Ω	$V_{IN} = 2.5V$
Interchannel on-resistance difference	ΔR_{ON}	—	20	40	Ω	$V_{IN} = 2.5V$
Interchannel crosstalk	CT	—	-70	-55	dB	$f = 150kHz$
Transmission delay time	t_D	—	20	—	ns	$R_L = 10\Omega$, $C_L = 50pF$
(Control block)						
High level voltage	V_H	3.5	—	—	V	—
Low level voltage	V_L	—	—	1.5	V	—

● **Guaranteed design parameters** (unless otherwise noted, $V_{CC}=5.0V$, $T_a = 25^\circ C$)

Parameter	Symbol	Min.	Typ.	Max.	Unit	Conditions
(R, G, and B video switches)						
Frequency characteristics 1	f_1	-3.0	0	+1.0	dB	$f = 50MHz$
Frequency characteristics 2	f_2	-6.0	-3	-1.0	dB	$f = 250MHz$
Interchannel relative frequency characteristics	Δf_C	-0.5	0	0.5	dB	$f = 50MHz$
Interblock relative frequency characteristics	Δf_B	-0.5	0	0.5	dB	$f = 50MHz$
Interchannel crosstalk 1	CT_{C1}	—	-50	-35	dB	$f = 50MHz$
Interchannel crosstalk 2	CT_{C2}	—	-30	-15	dB	$f = 250MHz$
Interblock crosstalk 1	CT_{B1}	—	-50	-35	dB	$f = 50MHz$
Interblock crosstalk 2	CT_{B2}	—	-30	-15	dB	$f = 250MHz$

Multimedia ICs

● Measurement circuit 1

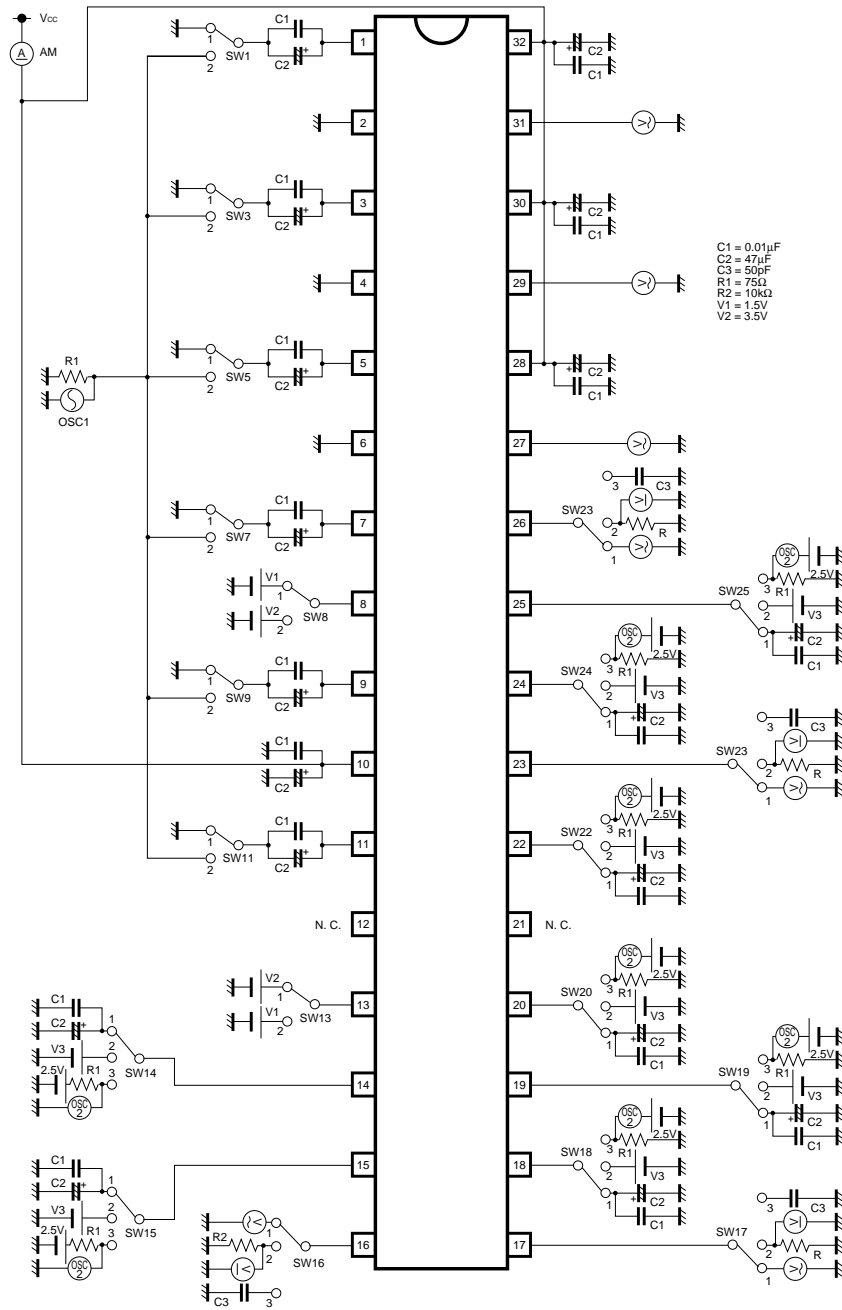


Fig.1

Multimedia ICs

● Measurement circuit 2

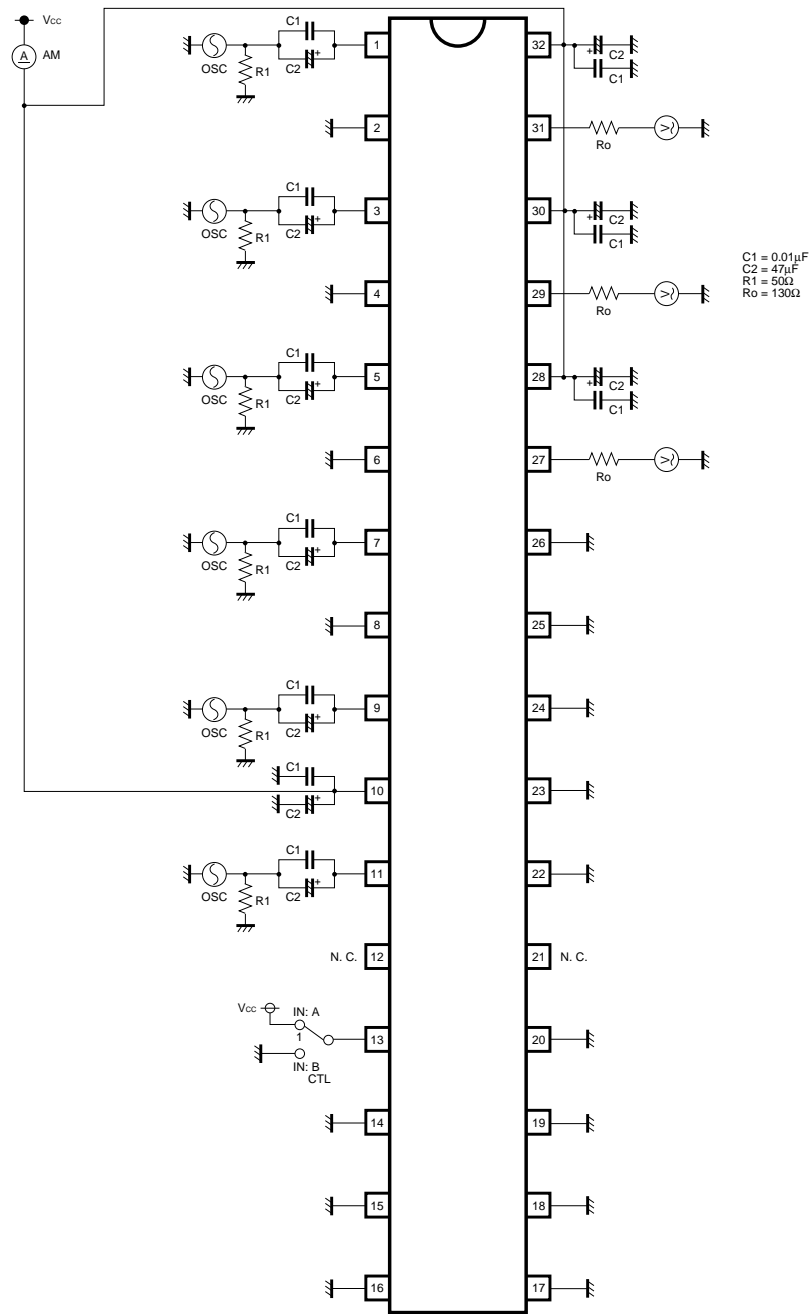


Fig.2

Multimedia ICs

● Measurement conditions

<Overall device> measurement circuit 1

Parameter	Switch conditions		Notes
	8	Others	
Circuit current	1	1	(1)
Circuit during power save	2	1	(2)

<R, G, and B video switches> measurement circuit 2

Parameter		Input pin: (OSC)						Switch conditions	Notes
		1	7	3	9	5	11	CTL	
Voltage gain (G_v)	RinA	○	—	—	—	—	—	IN: A	(3)
Output dynamic range (V_{OM})	RinB	—	○	—	—	—	—	IN: B	(6)
	GinA	—	—	○	—	—	—	IN: A	
Frequency characteristics 1 (f_1)	GinB	—	—	—	○	—	—	IN: B	(7)
	BinA	—	—	—	—	○	—	IN: A	
Frequency characteristics 2 (f_2)	BinB	—	—	—	—	—	○	IN: B	(8)
Interchannel crosstalk 1 (CT_{C1})	RinA→B	○	—	—	—	—	—	IN: B	(11)
	RinB→A	—	○	—	—	—	—	IN: A	
Interchannel crosstalk 2 (CT_{C2})	GinA→B	—	—	○	—	—	—	IN: B	(12)
	GinB→A	—	—	—	○	—	—	IN: A	
Interblock crosstalk 1 (CT_{B1})	BinA→B	—	—	—	—	○	—	IN: B	(13)
	BinB→A	—	—	—	—	—	○	IN: A	
Interblock crosstalk 2 (CT_{B2})	G→RinA	—	—	○	—	—	—	IN: A	(14)
	B→RinA	—	—	—	—	○	—	IN: A	
Interblock crosstalk 2 (CT_{B2})	R→GinA	○	—	—	—	—	—	IN: A	(14)
	B→GinA	—	—	—	—	○	—	IN: A	
Interblock crosstalk 2 (CT_{B2})	R→BinA	○	—	—	—	—	—	IN: A	(14)
	G→BinA	—	—	○	—	—	—	IN: A	
Interchannel relative gain: ΔG_{vc}									(4)
Interblock relative gain: ΔG_{vB}									(5)
Interchannel relative frequency characteristics: Δf_c									(9)
Interblock relative frequency characteristics: Δf_B									(10)

Multimedia ICs

<C-ROM analog switch> measurement circuit 1

Parameter		Switch conditions														Notes
		13	14	15	16	17	18	19	20	22	23	24	25	26	others	
On-resistance (R_{ON})	VDinA	1	2	1	2	1	1	1	1	1	1	1	1	1	1	(15)
	VDinB	2	1	2	2	1	1	1	1	1	1	1	1	1	1	
	SDinA	1	1	1	1	2	1	2	1	1	1	1	1	1	1	
	SDinB	2	1	1	1	2	2	1	1	1	1	1	1	1	1	
	SCinA	1	1	1	1	1	1	1	1	2	2	1	1	1	1	
	SCinB	2	1	1	1	1	1	1	2	1	2	1	1	1	1	
	HDinA	1	1	1	1	1	1	1	1	1	1	1	2	2	1	
	HDinB	2	1	1	1	1	1	1	1	1	1	2	1	2	1	
Interchannel crosstalk (CT)	VDinA→B	1	3	1	1	1	1	1	1	1	1	1	1	1	1	(17)
	VDinB→A	2	1	3	1	1	1	1	1	1	1	1	1	1	1	
	SDinA→B	1	1	1	1	1	1	3	1	1	1	1	1	1	1	
	SDinB→A	2	1	1	1	1	3	1	1	1	1	1	1	1	1	
	SCinA→B	1	1	1	1	1	1	1	1	3	1	1	1	1	1	
	SCinB→A	2	1	1	1	1	1	1	3	1	1	1	1	1	1	
	HDinA→B	1	1	1	1	1	1	1	1	1	1	1	3	1	1	
	HDinB→A	2	1	1	1	1	1	1	1	1	1	3	1	1	1	
Transmission delay time (t_D)	VDinA	1	3	1	3	1	1	1	1	1	1	1	1	1	1	(18)
	VDinB	2	1	3	3	1	1	1	1	1	1	1	1	1	1	
	SDinA	1	1	1	1	3	1	3	1	1	1	1	1	1	1	
	SDinB	2	1	1	1	3	3	1	1	1	1	1	1	1	1	
	SCinA	1	1	1	1	1	1	1	1	3	3	1	1	1	1	
	SCinB	2	1	1	1	1	1	1	3	1	3	1	1	1	1	
	HDinA	1	1	1	1	1	1	1	1	1	1	1	3	3	1	
	HDinB	2	1	1	1	1	1	1	1	1	1	3	1	3	1	
Interchannel on-resistance difference (ΔR_{ON})															(16)	

Notes:

- (1) Circuit current : I_{CC} ; measurement of the circuit current.
(2) Circuit current during power save : I_{PSV} ; measurement of the circuit current during power save.
(3) Voltage gain : G_V

$V_{IN} = 1.0V_{P-P}$, $f = 10MHz$ sine wave input from the OSC

$$G_V = 20 \log (V_{OUT} / V_{IN}) \text{ [dB]}$$

- (4) Interchannel relative gain : ΔG_{VC}

$$\Delta G_{VC} = G_V R_a - G_V R_b, G_V G_a - G_V G_b, G_V B_a - G_V B_b \text{ [dB]}$$

- (5) Interblock relative gain : ΔG_{VB}

$$\Delta G_{VB} = G_V R_a - G_V G_a, G_V R_a - G_V G_b, G_V R_a - G_V B_a, G_V R_a - G_V B_b \text{ [dB]}$$

$$\Delta G_{VB} = G_V G_a - G_V R_a, G_V G_a - G_V R_b, G_V G_a - G_V B_a, G_V G_a - G_V B_b \text{ [dB]}$$

$$\Delta G_{VB} = G_V B_a - G_V R_a, G_V B_a - G_V R_b, G_V B_a - G_V G_a, G_V B_a - G_V B_b \text{ [dB]}$$

- (6) Output dynamic range : V_{OM}

Connect a distortion meter to the output. After adding a $f = 1kHz$ sine wave input from the OSC, adjust the input level so that the output distortion is 1.0%.

The output voltage at that time is V_{OM} [V_{P-P}].

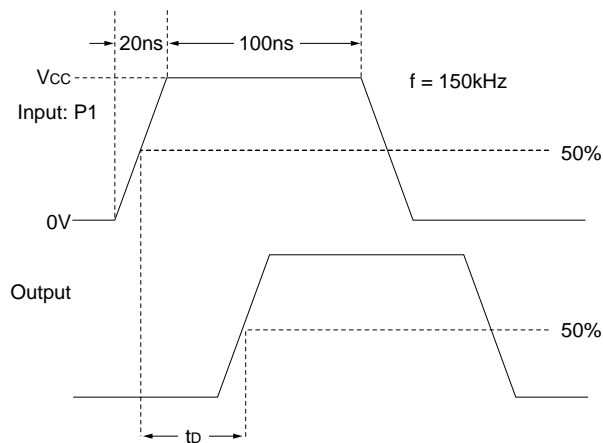
- (7) Frequency characteristics 1 : f_1

Apply to the input pin a $V_{IN} = 1.0V_{P-P}$, $f = 10MHz$ and $50MHz$ sine wave input from the OSC.

$$f_1 = G_V (50MHz) - G_V (10MHz) \text{ [dB]}$$

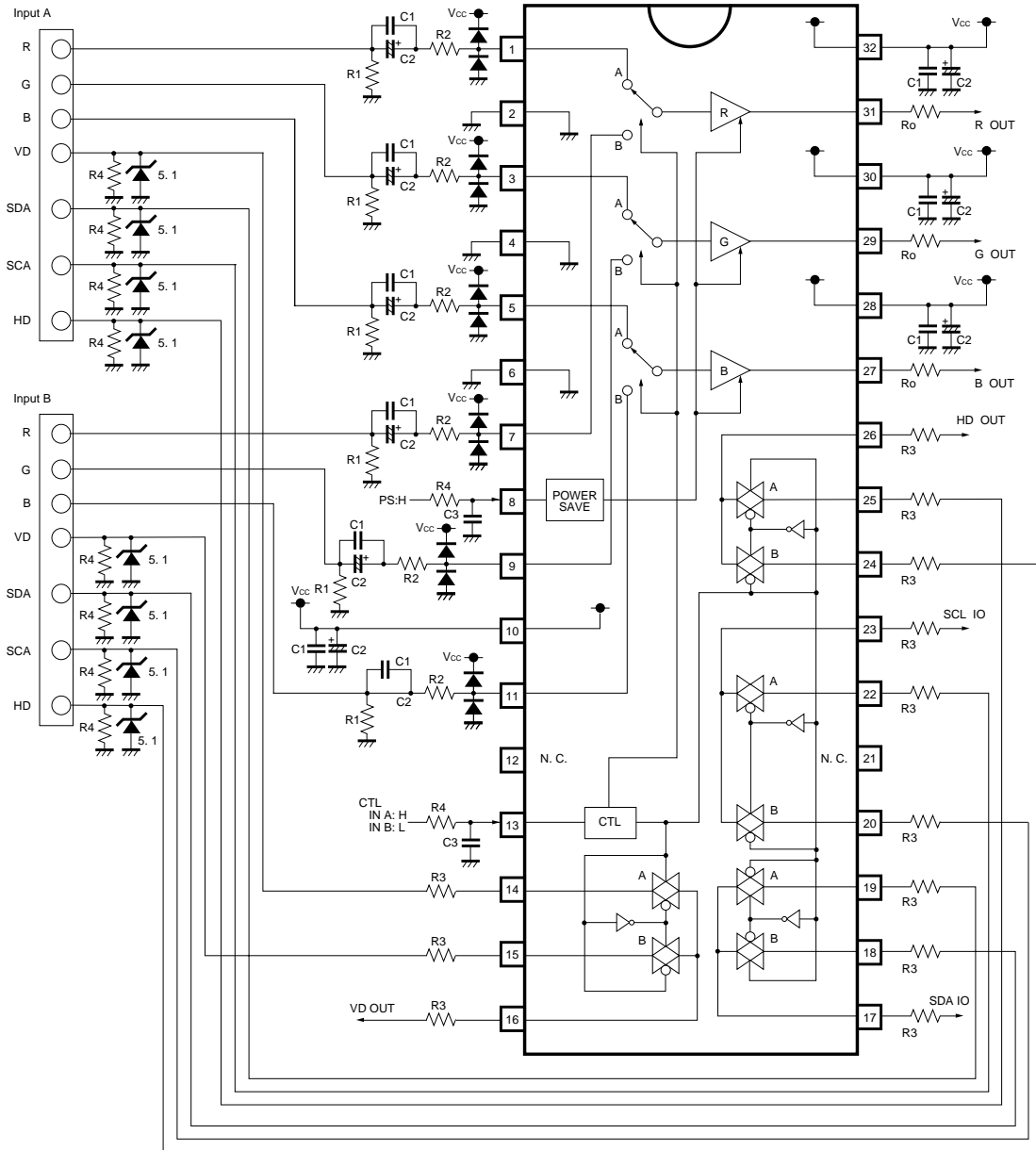
Multimedia ICs

- (8) Frequency characteristics 2 : f_2
 Apply to the input pin a $V_{IN} = 1.0V_{P-P}$, $f = 10MHz$ and $250MHz$ sine wave input from the OSC.
 $f_2 = G_V(250MHz) - G_V(10MHz)$ [dB]
- (9) Interchannel relative frequency characteristics : Δf_c
 $\Delta f_c = f_1(INA) - f_1(INB)$ [dB]
- (10) Interblock relative frequency characteristics : Δf_b
 $\Delta f_b = f_1(RINA) - f_1(GINA), f_1(GINA) - f_1(BINA), f_1(BINA) - f_1(RINA)$ [dB]
 $= f_1(RINB) - f_1(GINB), f_1(GINB) - f_1(BINB), f_1(BINB) - f_1(RINB)$ [dB]
- (11) Interchannel crosstalk 1 : CT_{C1}
 Apply to the input pin a $V_{IN} = 1.0V_{P-P}$, $f = 50MHz$ sine wave input from the OSC.
 $CT_{C1} = 20\log(V_{OUT} / V_{IN})$ [dB]
- (12) Interchannel crosstalk 2 : CT_{C2}
 Apply to the input pin a $V_{IN} = 1.0V_{P-P}$, $f = 250MHz$ sine wave input from the OSC.
 $CT_{C2} = 20\log(V_{OUT} / V_{IN})$ [dB]
- (13) Interblock crosstalk 1 : CT_{B1}
 Apply to the input pin a $V_{IN} = 1.0V_{P-P}$, $f = 50MHz$ sine wave input from the OSC.
 $CT_{B1} = 20\log(V_{OUT} / V_{IN})$ [dB]
- (14) Interblock crosstalk 2 : CT_{B2}
 Apply to the input pin a $V_{IN} = 1.0V_{P-P}$, $f = 250MHz$ sine wave input from the OSC.
 $CT_{B2} = 20\log(V_{OUT} / V_{IN})$ [dB]
- (15) On-resistance : R_{ON}
 $\Delta R_{ON} = (V_{OUT} / V_{IN} - 1) \times 10^4$ [Ω]
- (16) Interchannel on-resistance difference : ΔR_{ON}
 $\Delta R_{ON} = R_{ON}(INA) - R_{ON}(INB)$
- (17) Interchannel crosstalk : CT
 Apply to the input pin a $V_{IN} = 1.0V_{P-P}$, $f = 150MHz$ sine wave input from the OSC2.
 $CT = 20\log(V_{OUT} / V_{IN})$ [dB]
- (18) Transmission delay time : t_d
 Apply to the input pin the rectangular wave of P1 from the OSC2.



Multimedia ICs

●Application example



Note: The Ro value differs depending on the load capacitance.

Set so that the frequency characteristics are flat.

R1 = 75Ω C1 = 0.01μF

R2 = 47Ω C1 = 47μF

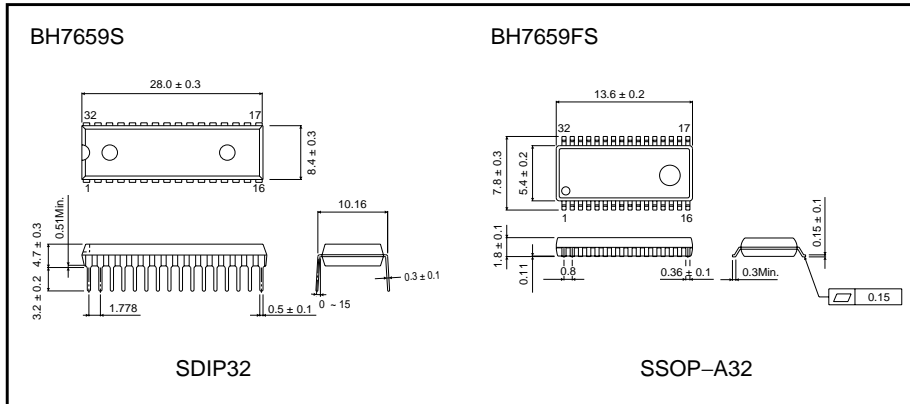
R3 = 100Ω C1 = 0.1μF

R4 = 1.2kΩ

Fig.3

Multimedia ICs

●External dimensions (Units : mm)



Notes

- No technical content pages of this document may be reproduced in any form or transmitted by any means without prior permission of ROHM CO.,LTD.
- The contents described herein are subject to change without notice. The specifications for the product described in this document are for reference only. Upon actual use, therefore, please request that specifications to be separately delivered.
- Application circuit diagrams and circuit constants contained herein are shown as examples of standard use and operation. Please pay careful attention to the peripheral conditions when designing circuits and deciding upon circuit constants in the set.
- Any data, including, but not limited to application circuit diagrams information, described herein are intended only as illustrations of such devices and not as the specifications for such devices. ROHM CO.,LTD. disclaims any warranty that any use of such devices shall be free from infringement of any third party's intellectual property rights or other proprietary rights, and further, assumes no liability of whatsoever nature in the event of any such infringement, or arising from or connected with or related to the use of such devices.
- Upon the sale of any such devices, other than for buyer's right to use such devices itself, resell or otherwise dispose of the same, no express or implied right or license to practice or commercially exploit any intellectual property rights or other proprietary rights owned or controlled by
- ROHM CO., LTD. is granted to any such buyer.
- Products listed in this document use silicon as a basic material.
Products listed in this document are no antiradiation design.

The products listed in this document are designed to be used with ordinary electronic equipment or devices (such as audio visual equipment, office-automation equipment, communications devices, electrical appliances and electronic toys).

Should you intend to use these products with equipment or devices which require an extremely high level of reliability and the malfunction of which would directly endanger human life (such as medical instruments, transportation equipment, aerospace machinery, nuclear-reactor controllers, fuel controllers and other safety devices), please be sure to consult with our sales representative in advance.

About Export Control Order in Japan

Products described herein are the objects of controlled goods in Annex 1 (Item 16) of Export Trade Control Order in Japan.

In case of export from Japan, please confirm if it applies to "objective" criteria or an "informed" (by MITI clause) on the basis of "catch all controls for Non-Proliferation of Weapons of Mass Destruction.