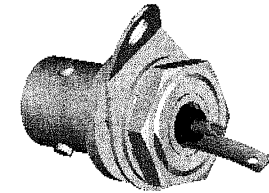


KEYING LETTER	A°	B°	C°	COLOR BAND
NONE	120°	120°	120°	NONE
S	135°	135°	90°	WHITE
T	100°	150°	110°	RED
U	120°	130°	110°	ORANGE
V	115°	130°	115°	YELLOW
W	125°	110°	125°	GREEN
X	130°	100°	130°	BLUE
Y	110°	140°	110°	VIOLET
Z	100°	160°	100°	GRAY

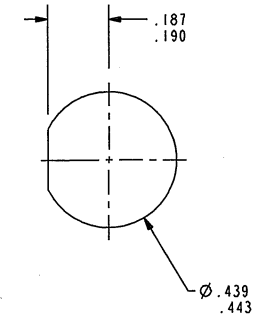
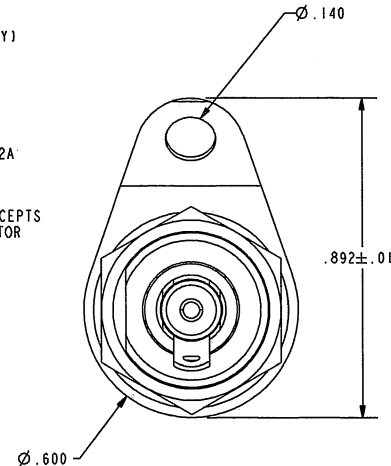
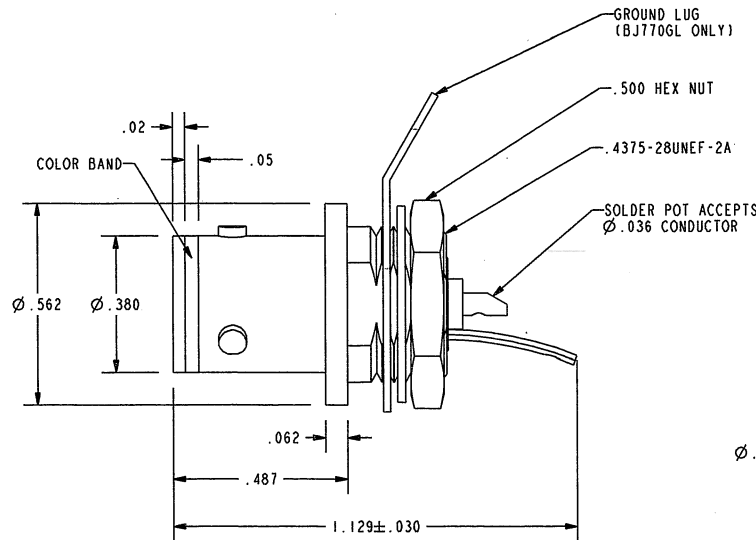
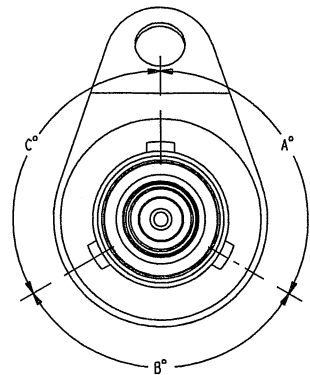
MODEL NUMBER	INCLUDED ITEMS
BJ770	CONNECTOR HEX NUT LOCK WASHER
BJ770GL	CONNECTOR HEX NUT LOCK WASHER GROUND LUG

DATA CONTAINED IN THIS DOCUMENT IS PROPRIETARY OF TROMPETER ELECTRONICS INC. AND SHALL NOT BE DISCLOSED, COPIED OR USED FOR PROCUREMENT OR MANUFACTURE WITHOUT EXPRESS WRITTEN PERMISSION.

REV	DESCRIPTION	DATE	APPROVED
D	REVISED PER ECO # 16538	2/25/08	[Signature]

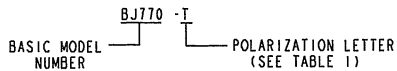


SCALE 2/1



RECOMMENDED PANEL CUTOUT

4. EXAMPLE OF COMPLETE MODEL NUMBER:



- MAXIMUM PANEL THICKNESS .125
- SOCKET CONTACT CONCENTRIC TWINAX/ TRIAX TRB SOLDER POT BULKHEAD MOUNT RECEPTACLE
- TFS-1A (TOTAL BUILD-UP .000180-.000450 PER SURFACE)

NOTES: UNLESS OTHERWISE SPECIFIED.

RED INDICATES ORIGINAL

305-0594	<small>INTERPRET DRAWING PER W1-570-100. DIMENSIONS ARE IN INCHES AND INCLUDE FINISH THICKNESS UNLESS OTHERWISE SPECIFIED</small>	TOL: UNLESS SPECIFIED .XX ± .XXX ± .005 .XXXX ± ANGLE ±			
305-0537		<small>DRW: H. JOHNSON 1-9-08</small> <small>DATE: 2-22-08</small> <small>QUALITY</small> <small>FINISH</small> <small>MANUF</small> <small>DATE: 2/22/08</small> <small>PROTE FILE NO. 3-0296</small>		<small>TITLE:</small> BJ770/S/T/U/V/ W/X/Y/Z	
305-0536					<small>SIZE: B</small> <small>CAGE CODE: 14949</small> <small>DRAWING NO.: 3-0296</small> <small>SCALE: 3/1</small> <small>DATE: 6-2-95</small> <small>SHEET: 1C</small>
305-0278					
305-0138					
22-01					
22-04					
22-09	DO NOT SCALE DWG				