

400mA Bi-Direction Driver

DESCRIPTION

BL8123 is a bi-direction relay driver circuit, used to control the magnetic latching relay, with large output capability, ultra-low power consumption. It can be widely used in smart meters and other pulses, level control applications.

BL8123 can provide 400mA typical driving current, which will different according to the relay coil resistance. The input High Level Threshold of BL8123 is 1.5V; it can compatible with most single chip microcontroller.

BL8123 is available in SOT-23-6 package.

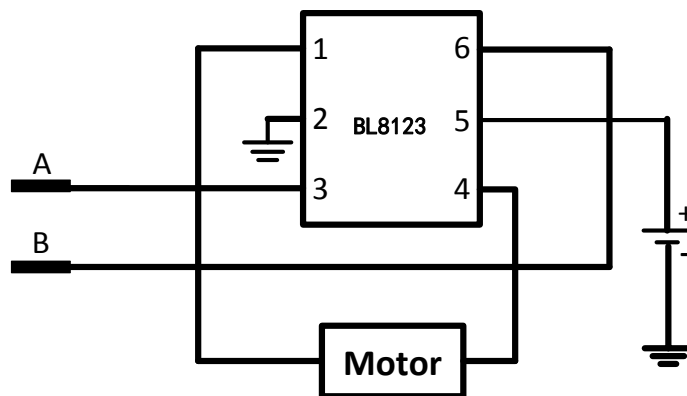
FEATURES

- 1.8 to 5.5V input voltage range
- Low Power Consumption ($I_Q < 1\mu A$)
- Input High Level Threshold: 1.5V, compatible with most single chip microcontroller
- Typical Driving Current: 300mA
 $R_{ds(on)} = 12\Omega$ ($V_{in} = 3V$, PMOSFET+NMOSFET)
- Peak Driving Current: 400mA@ $V_{in} = 5V$
- Environment Temperature: $-40^\circ C \sim 85^\circ C$
- SOT-23-6 package

APPLICATIONS

- Smart Meter

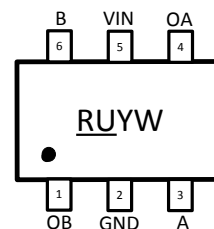
TYPICAL APPLICATION



ORDERING INFORMATION

Part No.	Package	Tape & Reel
BL8123CB6TR	SOT-23-6	3000/Reel

PIN OUT & MARKING



RU: Product Code
YW: Date code

SOT23-6

ABSOLUTE MAXIMUM RATING

Parameter			Value
Max Operating Junction Temperature(Tj)			150°C
Ambient Temperature(Ta)			-40°C – 125°C
Package Thermal Resistance	SOT23-6	θ_{ja}	190°C / W
		θ_{jc}	110°C / W
Storage Temperature(Ts)			-40°C - 150°C
Lead Temperature & Time			260°C, 10S

Note: Exceed these limits to damage to the device. Exposure to absolute maximum rating conditions may affect device reliability.

RECOMMENDED WORK CONDITIONS

Parameter	Value
Input Voltage Range	2.0-5V
Operating Junction Temperature(Tj)	-40°C – 85°C

ELECTRICAL CHARACTERISTICS

(VIN=5V, TA=25°C)

Symbol	Parameter	Conditions	Min	Typ	Max	Unit
VIN	Input Voltage Range		1.8		5.5	V
Iq	Quiescent Current				1	uA
Rdson	Switch Rdson	Vin=3V, RL=75ohm		12	15	ohm
		Vin=5V, RL=75ohm		10	15	ohm
VTH	ON Input High Voltage	Vin=3V		1.5		V
RIN	Equivalent Input Resistor			500		Kohm
VSD	Fly-Wheel Diode Forward Voltage	Is=1A		0.8	1.5	V
TR	Rise Time	VIN=3V, RL=75ohm		40		ns
TD(ON)	Turn ON Delay Time	VIN=3V, RL=75ohm		60		ns
TF	Fall Time	VIN=3V, RL=75ohm		30		ns
TD(OFF)	Turn OFF Delay Time	VIN=3V, RL=75ohm		70		ns

LOGIC FUNCTION TABLE

Input A	Input B	Output OA	Output OB	RELAY RESPONSE
1	0	1	0	ON
0	1	0	1	OFF
0	0	High-impedance	High-impedance	Hold
1	1	High-impedance	High-impedance	Hold

PIN DESCRIPTION

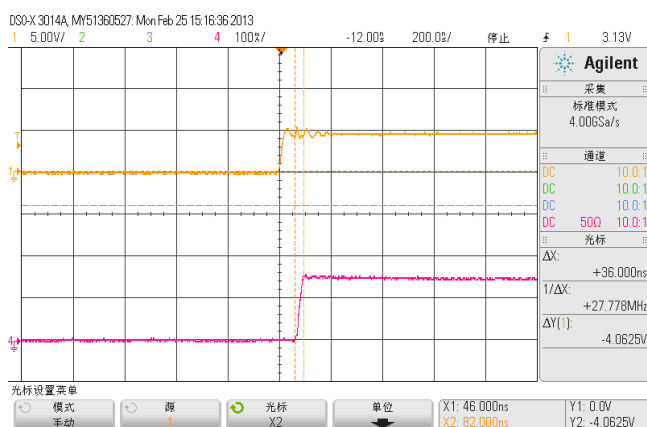
NAME	PIN #	DESCRIPTION
OB	1	Output B
GND	2	Ground.
A	3	Input A
OA	4	Output A
VIN	5	Supply input voltage
B	6	Input B

ELECTRICAL PERFORMANCE

Tested under $T_A=25^{\circ}\text{C}$, unless otherwise specified

Turn on delay and rise time

Ch1---Input Ch2---Output

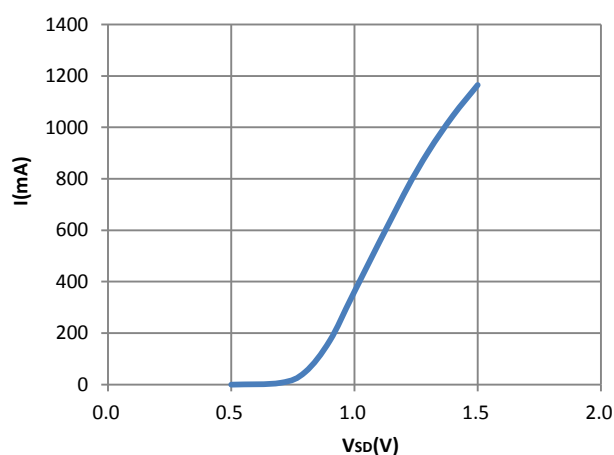


Turn off delay and fall time

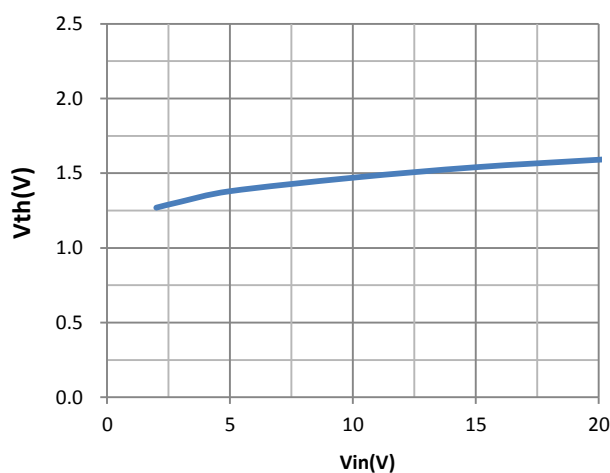
Ch1---Input Ch2---Output



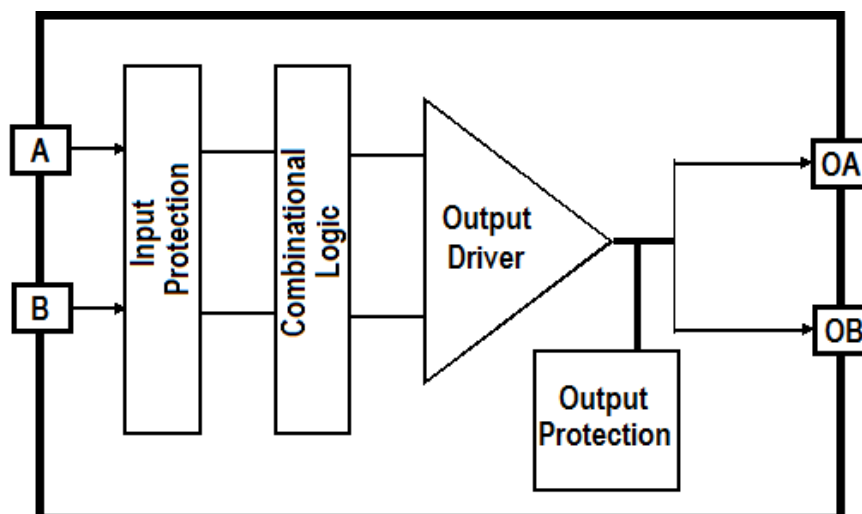
Forward Voltage



Vth VS. Vin



BLOCK DIAGRAM

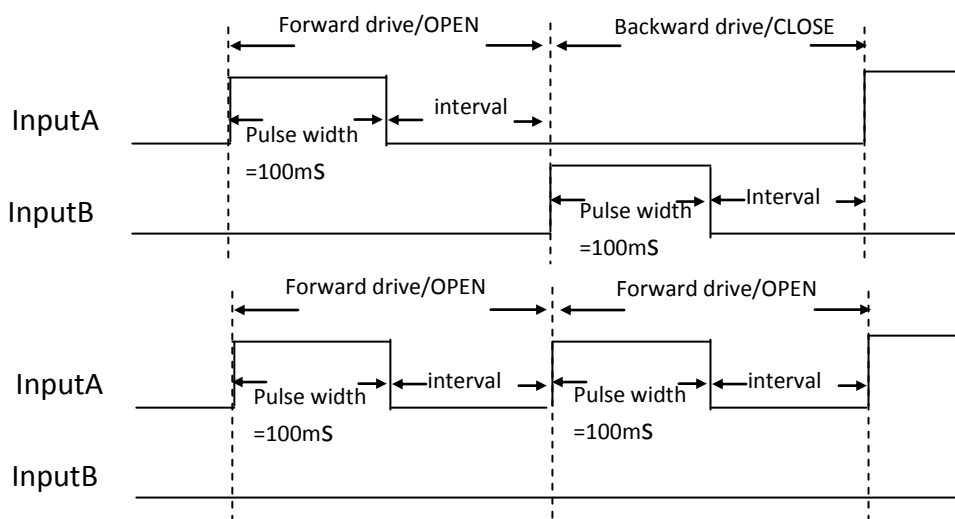


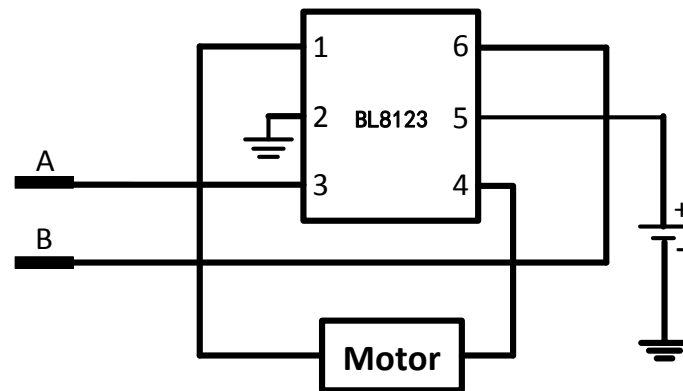
DETAILED DESCRIPTION

Pulse Triggering

If input is driven by square pulse, connect the inputs to the pulse source directly. Relay will operate as logic table stated (V_{in} should be less than the power supply voltage).

The recommended pulse width=100ms. The length of the intervals should be longer than 100ms. These intervals include: intervals between forward drive pulse and next backward drive pulse, intervals between forward drive pulse and next forward drive pulse, intervals between backward drive pulse and next forward drive pulse, intervals between backward drive pulse and next backward drive pulse.





Pulse triggering application diagram

Relay free-wheel

Relay from ON to OFF, the energy stored in the relay inductor released by the chip's internal body diode and the relay inductor. Until the end of the release of this energy, relay proceeding to the next operation.

PACKAGE OUTLINE

Package	SOT23-6	Devices per reel	3000	Unit	mm
Package specification:					