

## High Efficiency PFM Step-up DC/DC Converter

### Outline:

The BL8505 series are CMOS-based PFM step-up DC-DC Converter. The converter can start up by supply voltage as low as 0.8V, and capable of delivering maximum output current of 3.3V 180mA at input voltage of 1.5V. Typical full-load efficiency is greater than 87% (when  $V_{in} > 2V$ ,  $V_{out} = 3.3V$ ,  $I_{out} < 100mA$ ). All of these features make BL8505 series be suitable for the portable devices, which are supplied by a single-cell battery to four-cell batteries.

To reduce the noise caused by the switch regulator, BL8505 is well considered in circuit design and manufacture. So that the interferer to other circuits by the device has been reduced greatly.

BL8505 integrates stable reference circuits and trimming technology, so it can afford high precision and low temperature-drift coefficient of the output voltage.

BL8505 is available in SOT-89-3, TO-92 and SOT-23-5 packages. And in 5-pin packages, such as SOT-23-5, the device can be switch on or off easily by CE pin, to minimize the standby supply current.

### Features:

- 50mA output current from 1V supply voltage; and 180mA from 1.5V supply voltage (when  $V_{out} = 3.3V$ ).
- Low start-up voltage (when the output current is 1mA)-----0.8V
- The converter output voltage can be adjusted from 2.5V~5.0V(0.1V step).
- Output voltage accuracy ----- $\pm 2\%$
- Low temperature-drift coefficient of the output voltage----- $\pm 100ppm/^{\circ}C$
- Only three external components are necessary: an inductor, a Schottky diode and an output filter capacitor
- High power conversion efficiency---87%

### Applications:

- Power source for PDA、DSC、MP3 Player、electronic toy and wireless mouse
- Power source for single- and dual-cell battery-powered equipments
- Power source for LED

### Selection Guide:

BL8505-XX X XX

#### package:

RM: SOT-23-3  
 RN: SOT-23-5  
 SM: SOT-89-3  
 SN: SOT-89-5  
 T: TO92

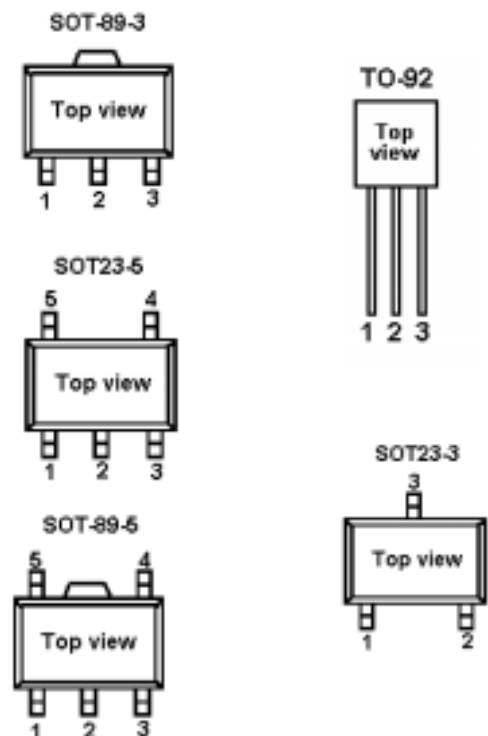
#### Function description:

1: Internal LX Tr. Driver, without chip enable circuit  
 2: Internal LX Tr. Driver, with chip enable function  
 3: External LX Tr. Driver without chip enable circuit  
 4: External LX Tr. Driver with chip enable function

#### Output voltage:

27	2.7V
30	3.0V
50	5.0V

### Pin Configurations:



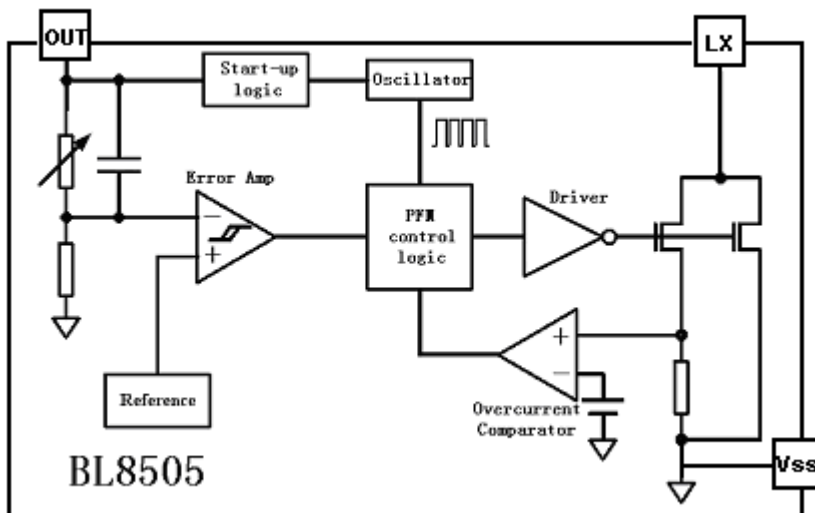
Pin Description:

Pin No.					Symbol	Description
SOT-89-3	TO-92	SOT-23-3	SOT-89-5	SOT-23-5		
1	1	1	5	4	Vss (GND)	Ground pin
2	2	2	2	2	Vout	Output pin, power supply for internal circuits
3	3	3	4	5	Lx (Ext)	Switching pin
—	—	—	1	3	NC	-
—	—	—	3	1	CE	Chip enable pin (active high)

Product List:

Product Name	Output Voltage	LX Tr. Driver	Chip Enable	Package
BL8505-XX1SM	XX V	Internal	No	SOT-89-3
BL8505-XX1T	XX V	Internal	No	TO-92
BL8505-XX1RM	XX V	Internal	No	SOT-23-3
BL8505-XX2RN	XX V	Internal	Yes	SOT-23-5
BL8505-XX2SN	XX V	Internal	Yes	SOT-89-5
BL8505-XX3SM	XX V	External	No	SOT-89-3
BL8505-XX3T	XX V	External	No	TO-92
BL8505-XX3RM	XX V	External	No	SOT-23-3
BL8505-XX4RN	XX V	External	Yes	SOT-23-5
BL8505-XX4SN	XX V	External	Yes	SOT-89-5

Block Diagram:



Absolute Maximum Ratings:

Input voltage range	-----	-0.3V~12V
Input voltage: Vi(LX)	-----	-0.3V~(Vout+0.3)
CE pin voltage	-----	-0.3V~(Vout+0.3)
Lx pin output current	-----	0.7A
Maximum power dissipation, Pd T=25°C		
SOT-89-3	-----	0.5W
TO-92	-----	0.3W

SOT-23-5	0.25W
Maximum junction temperature	150°C
Operating free-air temperature range	-30~+80°C
Storage temperature range	-40~125°C
Lead temperature and time	260°C, 10S

**Recommended Operating Conditions:**

	Min	Nom	Max	Unit
Input voltage range	0.8		Vout	V
Inductor	10		100	μH
Input capacitor		47		μF
Output capacitor		100		μF
Operating junction temperature	-20		85	°C

\***Suggestion:** use tantalum capacitor to reduce the ripple of the output voltage.

**Electrical Characteristics:**

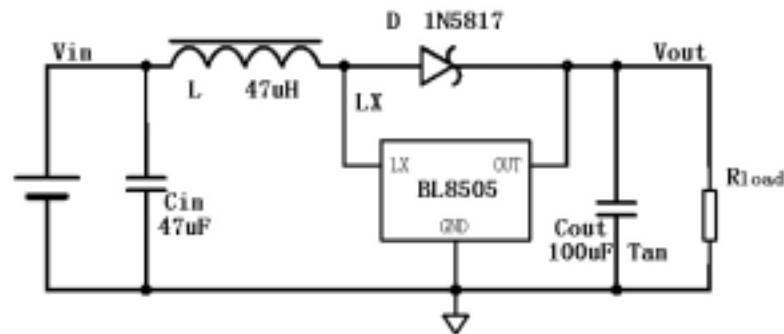
 T<sub>opt</sub>=25°C

Symbol	Item	Test Conditions	Reference Data			Unit
			Min	Typ.	Max	
Vout	Output voltage		2.646	2.7	2.754	V
			2.94	3.0	3.06	
			3.234	3.3	3.366	
			3.528	3.6	3.672	
			3.92	4.0	4.08	
			4.9	5.0	5.1	
Vin	Input voltage				12	V
Iin	Input current	I <sub>out</sub> =0mA		80		uA
Vstart	Start-up voltage	I <sub>out</sub> =1mA, V <sub>in</sub> : 0→2V		0.8	0.9	V
Vhold	Hold-on voltage	I <sub>out</sub> =1mA, V <sub>in</sub> : 2→0V	0.6	0.7		V
IDD	Quiescent current drawn from power source	Without external components, V <sub>out</sub> =V <sub>out</sub> ×1.05	30	40	55	uA
I <sub>LX</sub>	LX switching current	V <sub>Ix</sub> =0.4V , V <sub>out</sub> =V <sub>out</sub> *0.96	100			mA
I <sub>LXleak</sub>	LX leakage current	V <sub>out</sub> =V <sub>Ix</sub> =6V			0.5	uA
Fosc	Oscillator frequency	LX on "L" side V <sub>out</sub> =V <sub>out</sub> *0.96	100	150	200	KhZ
Maxdty	Oscillator duty cycle	On (V <sub>Ix</sub> "L") side	70	75	80	%
η	Efficiency			87		%

**NOTE:**

- 1、Diode: Schottky type, such as: 1N5817, 1N5819 or 1N5822
- 2、inductor: 47uH(R<0.5Ω)
- 3、capacitor: 100uF(Tantalum type)

## Typical Characteristics:



## Detailed Description:

The BL8505 series are boost structure, voltage-type pulse-frequency modulation(PFM) step-up DC-DC converter. Only three external components are necessary: an inductor, an output filter capacitor and a Schottky diode. And the converter's low noise and low ripple output voltage can be adjusted from 2.5V to 5.0V, with 0.1V step. The high efficiency device consists of resistors for output voltage detection and trimming, a start-up voltage circuit, an oscillator, a reference circuit, a PFM control circuit, a switch protection circuit and a driver transistor.

The PFM control circuit is the core of the BL8505 IC. This block controls power switch on duty cycle to stabilize output voltage by calculating results of other blocks which sense input voltage, output voltage, output current and load conditions. In PFM modulation system, the frequency and pulse width is fixed. The duty cycle is adjusted by skipping pulses, so that switch on-time is changed based on the conditions such as input voltage, output current and load. The oscillator block inside BL8505 provides fixed frequency and pulse width wave.

The reference circuit provides stable reference voltage to output stable output voltage. Because internal trimming technology is used, the chip output change less than  $\pm 2\%$ . At the same time, the problem of temperature-drift coefficient of output voltage is considered in design, so temperature-drift coefficient of output voltage is less than 100ppm/ $^{\circ}\text{C}$ .

High-gain differential error amplifier guarantees stable output voltage at difference input voltage and load. In order to reduce ripple and noise, the error amplifier is designed with high frequency bandwidth.

Though at very low load condition, the quiescent current of chip do affect efficiency certainly. The four main energy loss of Boost structure DC-DC converter in full load are the ESR of inductor, the voltage of Schottky diode, on resistor of internal N-channel MOSFET and its driver. In order to improve the efficiency, BL8505 integrates low on-resistor N-channel MOSFET and well design driver circuits. The switch energy loss is limited at very low level.

## Selection Of The External Components:

Thus it can be seen, the inductor and Schottky diode affect the conversion efficiency greatly. The inductor and the capacitor also have great influence on the output voltage ripple of the converter. So it is necessary to choose a suitable inductor, a capacitor and a right Schottky diode, to obtain high efficiency, low ripple and low noise.

Before discussion, we define  $D \equiv \frac{V_{out} - V_{in}}{V_{out}}$ .

### (1) Inductor Selection

Above all, we should define the minimum value of the inductor that can ensure the boost DC-DC to operate in the continuous current-mode condition.

$$L_{\min} \geq \frac{D(1-D)^2 R_L}{2f}$$

The above expression is got under conditions of continuous current mode, neglect Schottky diode's voltage, ESR of both inductor and capacitor. The actual value is greater than that. If inductor's value is less than  $L_{\min}$ , the efficiency of DC-DC converter will drop greatly, and the DC-DC circuit will not be stable.

Secondly, consider the ripple of the output voltage,

$$\Delta I = \frac{D \cdot V_{in}}{Lf}$$

$$I_{max} = \frac{V_{in}}{(1-D)^2 R_L} + \frac{DV_{in}}{2Lf}$$

If inductor value is too small, the current ripple through it will be great. Then the current through diode and power switch will be great. Because the power switch on chip is not ideal switch, the energy of switch will improve. The efficiency will fall.

Thirdly, in general, smaller inductor values supply more output current while larger values start up with lower input voltage and acquire high efficiency.

An inductor value of 3uH to 1mH works well in most applications. If DC-DC converter delivers large output current (for example: output current is great than 50mA), large inductor value is recommended in order to improve efficiency. If DC-DC must output very large current at low input supply voltage, small inductor value is recommended.

The ESR of inductor will affect efficiency greatly. Suppose ESR value of inductor is  $r_L$ ,  $R_{load}$  is load resistor, then the energy can be calculated by following expression :

$$\Delta \eta \approx \frac{r_L}{R_{load}(1-D)^2}$$

For example: input 1.5V, output is 3.0V,  $R_{load}=20\Omega$ ,  $r_L=0.5\Omega$ , The energy loss is 10%.

Consider all above, inductor value of 47uH、ESR<0.5Ω is recommended in most applications. Large value is recommended in high efficiency applications and smaller value is recommended

## (2) Capacitor Selection

Ignore ESR of capacitor, the ripple of output voltage is:

$$r = \frac{\Delta V_{out}}{V_{out}} = \frac{D}{R_{load} Cf}$$

So large value capacitor is needed to reduce ripple. But too large capacitor value will slow down system reaction and cost will improve. So 100uF capacitor is recommended. Larger capacitor value will be used in large output current system. If output current is small (<10mA), small value is needed.

Consider ESR of capacitor, ripple will increase:

$$r' = r + \frac{I_{max} \cdot R_{ESR}}{V_{out}}$$

When current is large, ripple caused by ESR will be main factor. It may be greater than 100mV。The ESR will affects efficiency and increase energy loss. So low-ESR capacitor (for example: tantalum capacitor) is recommend or connect two or more filter capacitors in parallel.

## (3) Diode Selection

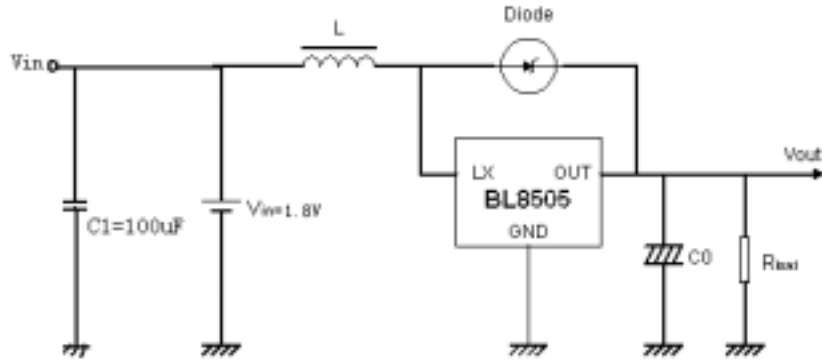
Rectifier diode will affects efficiency greatly, Though a common diode (such as 1N4148) will work well for light load, it will reduce about 5%~10% efficiency for heavy load, For optimum performance, a Schottky diode (such as 1N5817、1N5819、1N5822) is recommended.

**(4) Input Capacitor**

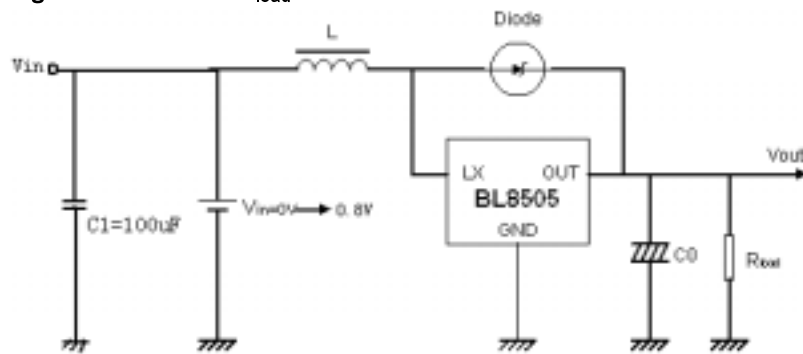
If supply voltage is stable, the DC-DC circuit can output low ripple, low noise and stable voltage without input capacitor. If voltage source is far away from DC-DC circuit, input capacitor value greater than 10uF is recommended.

**Test Circuits:**

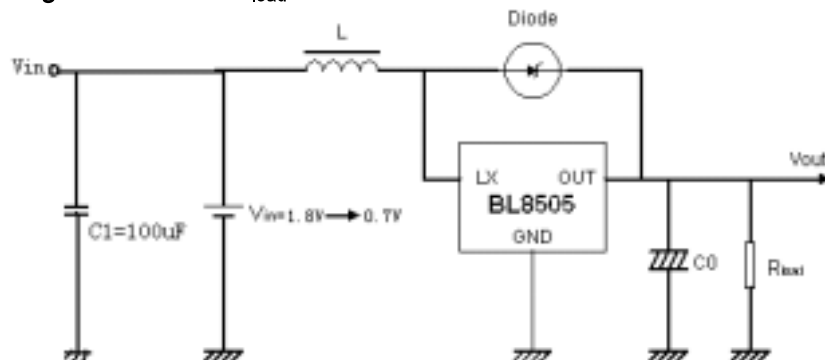
(1) Output voltage test circuit ( $I_{load}=1mA$ )



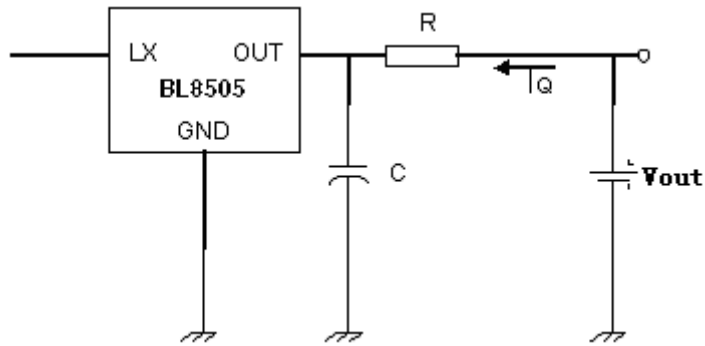
(2) Start-up voltage test circuit ( $I_{load}=1mA$ )



(3) Hold-on voltage test circuit ( $I_{load}=1mA$ )

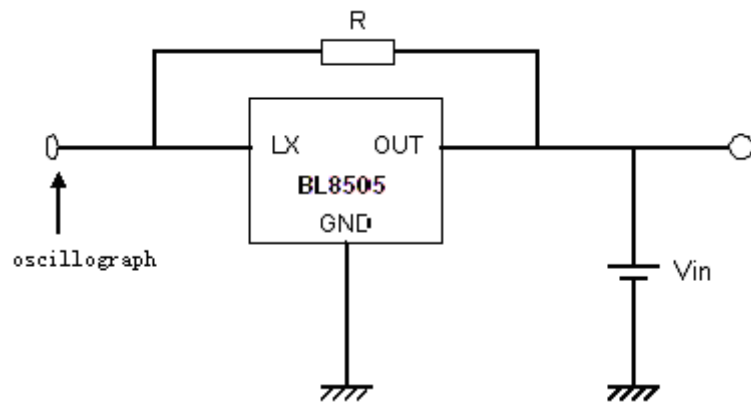


(4) Quiescent current test circuit



note:  $V_{out} = V_{out} * 1.05$ ,  $R = 1K\Omega$ ,  $C = 0.1\mu F$ .

(5) Oscillator frequency and duty cycle test circuit



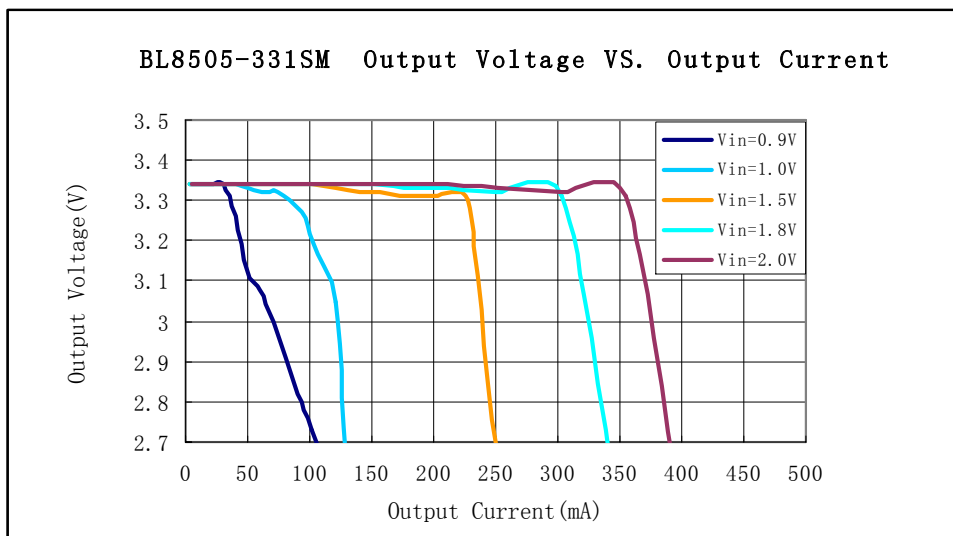
note:  $V_{in} = V_{out} * 0.95$ ,  $R = 1K\Omega$ .

**Typical Characteristics:**

(Recommended operating conditions:  $C_{in} = 10\mu F$ ,  $C_{out} = 220\mu F$ ,  $T_{opt} = 25^\circ C$ . unless otherwise noted)

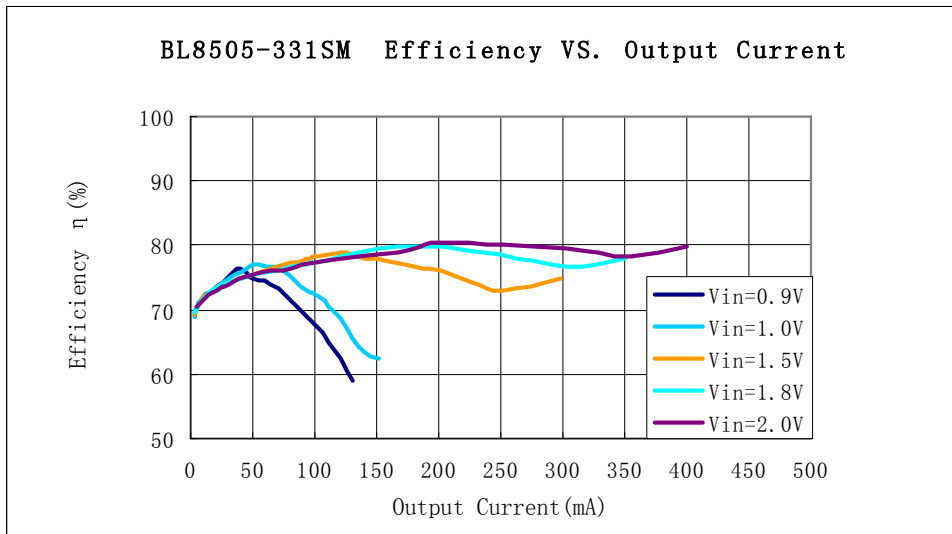
1、 Output Voltage VS. Output Current

$I_L = 10mH$



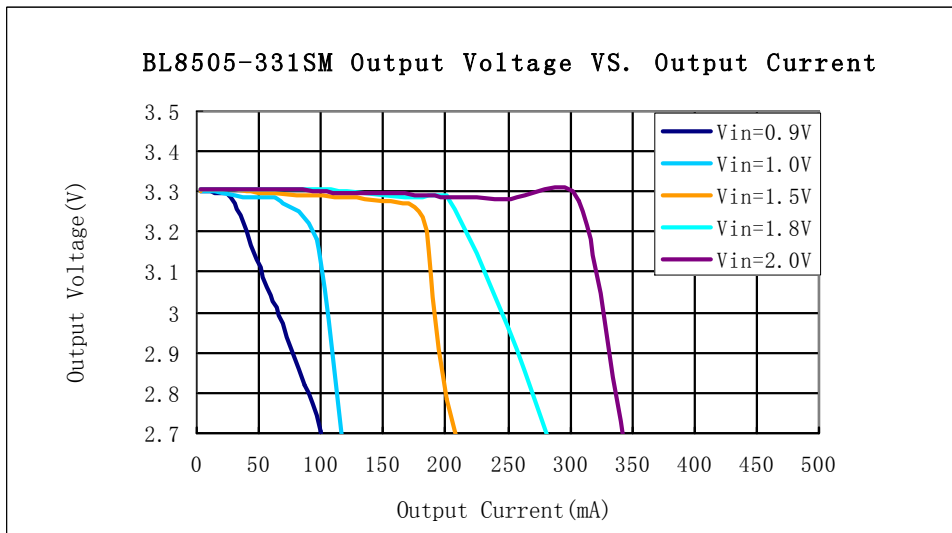
2、Efficiency VS. Output Current

$L=10\mu\text{H}$



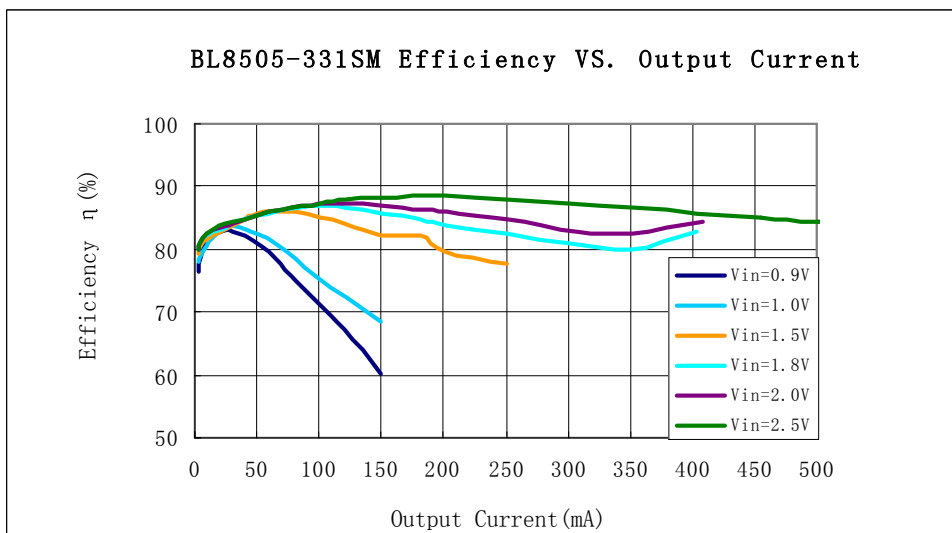
3、Output Voltage VS. Output Current

$L=47\mu\text{H}$



4、Efficiency VS. Output Current

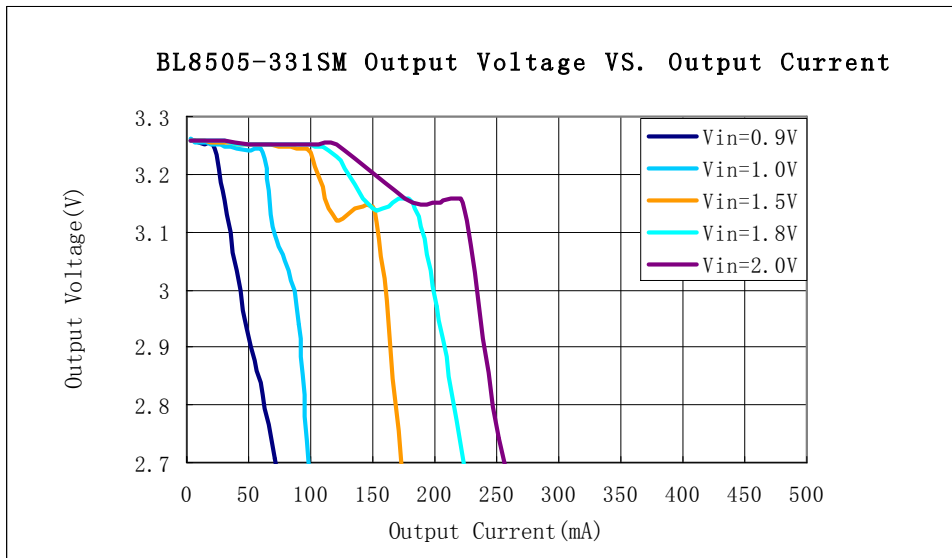
$L=47\mu\text{H}$





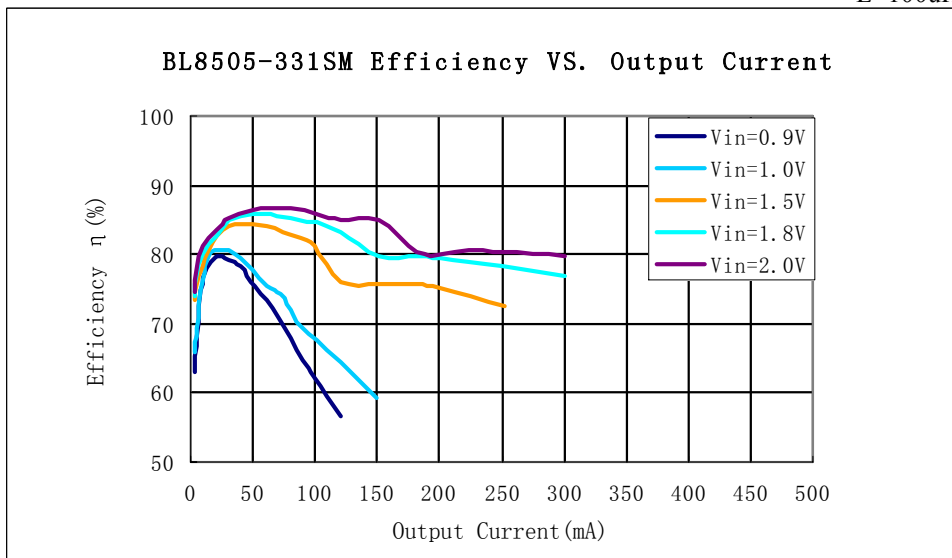
5、Output Voltage VS. Output Current

L=100uH



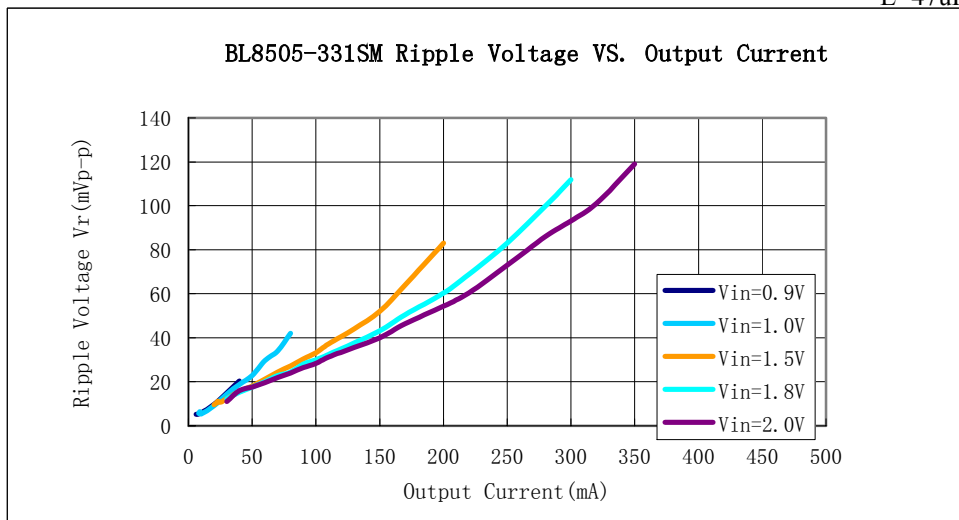
6、Efficiency VS. Output Current

L=100uH



7、Ripple Voltage VS. Output Current

L=47uH



Package Outline:

• SOT-89

