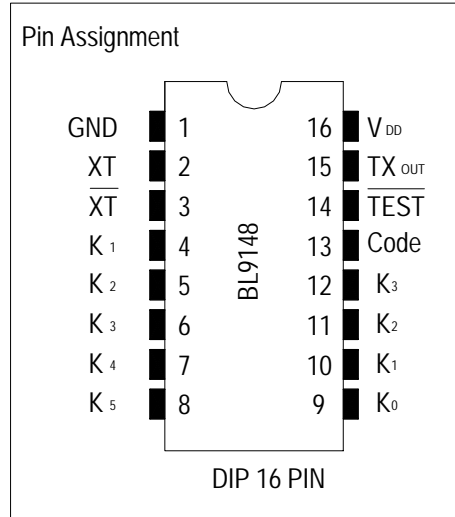


**Description**

The BL9148 is CMOS LSI developed for use in the general infrared ray remote control transmitter. The circuit has 10 functions combining with BL9149 while it has 18 functions combining with BL9150. And total 75 commands can be transmitted: 63 commands by continuous keys, as multiple keying is possible, and 12 commands by single-shot keys.

**Features**

Wide range of operating supply voltage

( $V_{DD}=2.2\sim 5.5V$ )

CMOS structure assures extremely low power dissipation

Multiple Keying is possible.

Less external parts

Adaptable to other models as code bits are available.

An oscillator can be constructed only by connecting an LC or ceramic resonator.

**Applications**

Use as remote control transmitters in audios, air conditioners, toys and others.

Application Circuit

