

FEATURES

- High Efficiency: Up to 96%
- 1.5MHz Constant Switching Frequency
- Current Mode Operation for Excellent Line and Load Transient Response
- No Schottky Diode Required
- 2.5V to 5.5V Input Voltage Range
- Adjustable Output Voltage
- 100% Duty Cycle in Dropout Mode
- Output Current: Up to 800mA per Channel
- Low Quiescent Current: 180µA each
- Over temperature Protection
- Short Circuit Protection
- Shutdown Quiescent Current < 1µA
- Compact and thermally enhanced Package: ESOP-8

APPLICATIONS

- Cellular and Smart Phones
- Wireless Handsets and DSL Modems
- Microprocessors and DSP Core Supplies
- PDAs
- Digital Still and Video Cameras
- MP3/MP4/MP5 Players
- Portable Instruments
- GPS Receivers

DESCRIPTION

The BL9328 is a dual constant frequency, 1.5MHz, slope compensated current mode PWM step-down converter working under an input voltage range of 2.5V to 5.5V. This feature makes the BL9328 suitable for single cell Li-ion battery-powered applications. The internal synchronous rectifier is desired to increase efficiency without an external Schottky diode. 100% duty cycle capability extends battery life in portable devices, while the quiescent current is 180µA at no load, and drops to < 1µA in shutdown. Pulse Skipping Mode operation increases efficiency at light loads, further extending battery life. Low output voltage ripple and small external inductor and capacitor sizes are achieved with 1.5MHz switching frequency. The BL9328 is offered in a compact and thermally enhanced ESOP-8 package, and is available in an adjustable version.

ORDERING INFORMATION

BL9328 – X XXXX

Package:
 ESPA: ESOP-8-A
 ESPB: ESOP-8-B

Features:
 P: Standard (default, lead free)
 C: Customized

TYPICAL APPLICATION

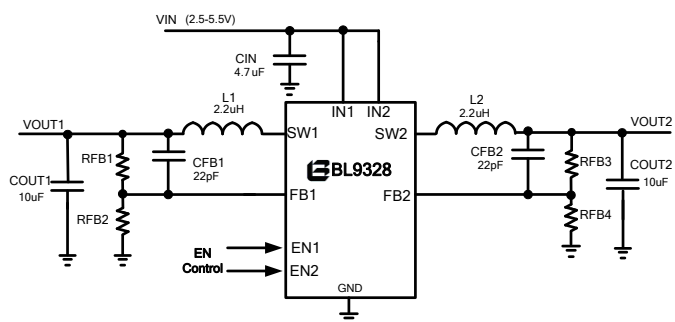


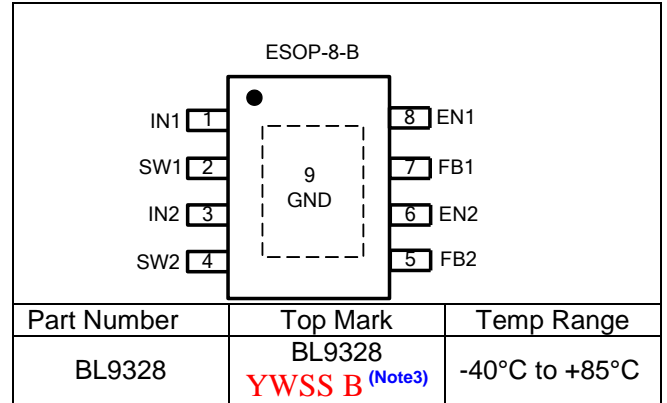
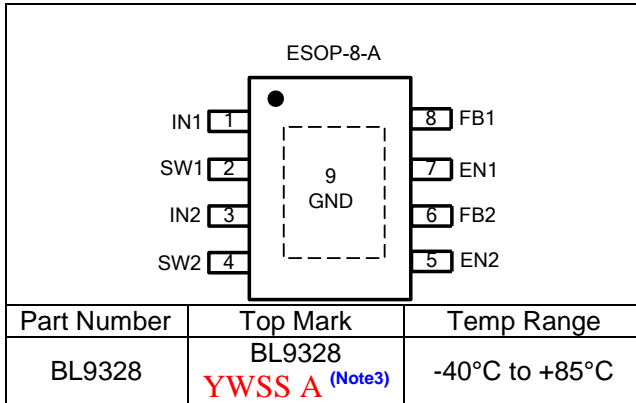
Figure 1. BL9328-ADJ Typical Application Circuit

Absolute Maximum Rating (Note1)

Input Supply Voltage(IN1,IN2).....-0.3V to +6V
 EN1,EN2,V_{FB1},V_{FB2} Voltages.....-0.3V to +V_{IN}
 SW1,SW2 Voltages.....-0.3V to (V_{IN}+0.3V)
 P-Channel Switch Source Current (DC)1A
 N-Channel Switch Sink Current (DC)1A

Peak SW Sink and Source Current.....1.4A
 Operating Temperature Range.....-40°C to +85°C
 Junction Temperature (Note2)+125°C
 Storage Temperature Range.....-65°C to +150°C
 Lead Temperature (Soldering, 10s)+300°C

Package Information



Y	0	1	2	3	4	...
Year	2010	2011	2012	2013	2014

W	01	2	...	26	27	28	...	52
Week	A	B	...	Z	\bar{A}	\bar{B}	...	\bar{Z}

Thermal Resistance (Note 4)

Package	Θ_{JA}	Θ_{JC}
ESOP-8	50°C/W	10°C/W

Note 1: Absolute Maximum Ratings are those values beyond which the life of a device may be impaired.

Note 2: T_J is calculated from the ambient temperature T_A and power dissipation P_D according to the following formula:

$$T_J = T_A + (P_D) \times (50^\circ\text{C/W}).$$

Note 3: **Y:** Year of assembly manufacturing

W: Week of assembly manufacturing

SS: Lot ID (the 7th and 8th number of Lot numbers)

A B: Package Type (A: ESOP-8-A, B: ESOP-8-B)

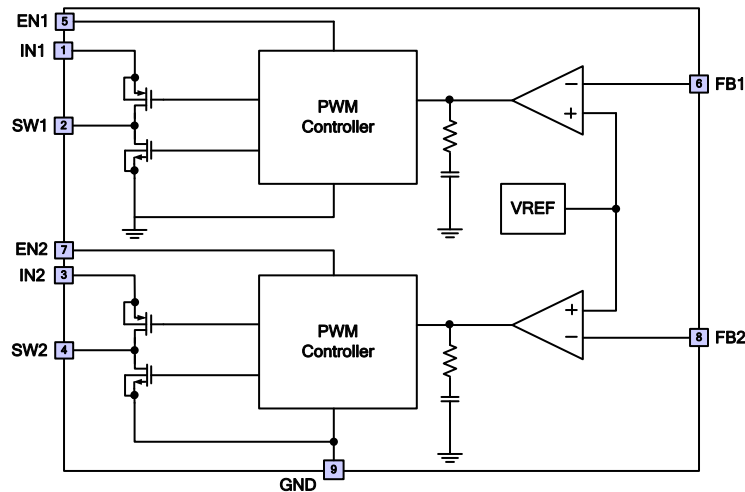
Note 4: Thermal Resistance is specified with approximately 1 square of 1 oz copper.

Pin Description

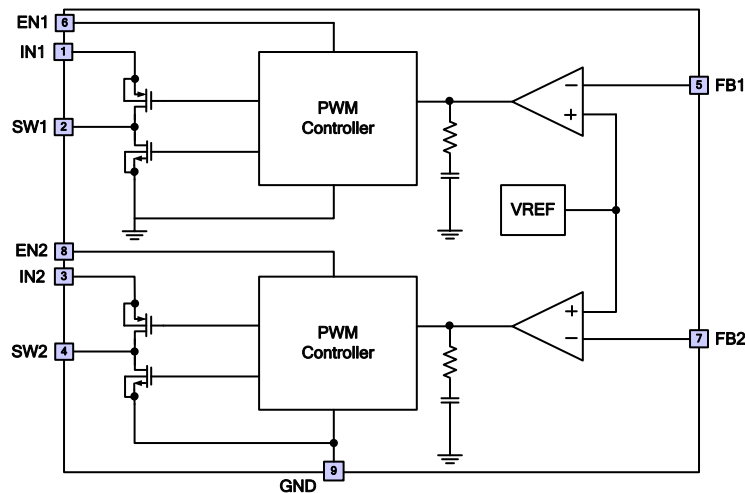
NAME	FUNCTION
IN1,IN2	Supply Input Pin. Must be closely decoupled to GND with a 2.2 μ F or greater ceramic capacitor.
SW1,SW2	Power Switch Output. It is the switch node connection to external inductor. This pin connects to the drains of the internal P-Channel and N-Channel MOSFET switches.
EN1,EN2	Regulator Enable Control Input. Drive EN above 1.5V to turn on the part. Drive EN below 0.3V to turn it off. In shutdown, all functions are disabled drawing <math><1\mu\text{A}</math> supply current. Do not leave EN floating.
FB1,FB2	Feedback Input Pin. Connect FB to the center point of the external resistor divider. The regulated voltage on this pin is 0.6V.
GND	Power Ground Pin.

Block Diagram

ESOP-8-A



ESOP-8-B



Electrical Characteristics (Note5)

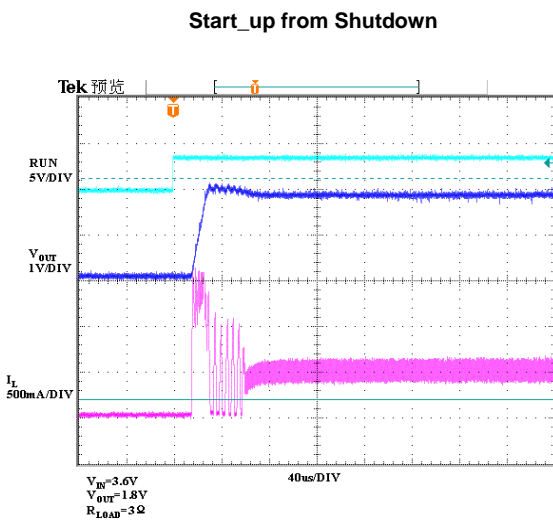
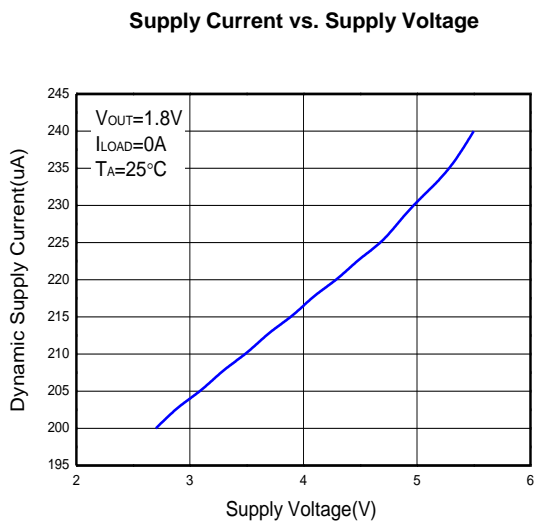
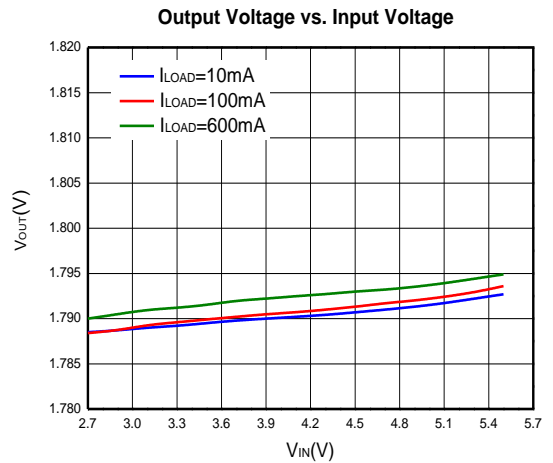
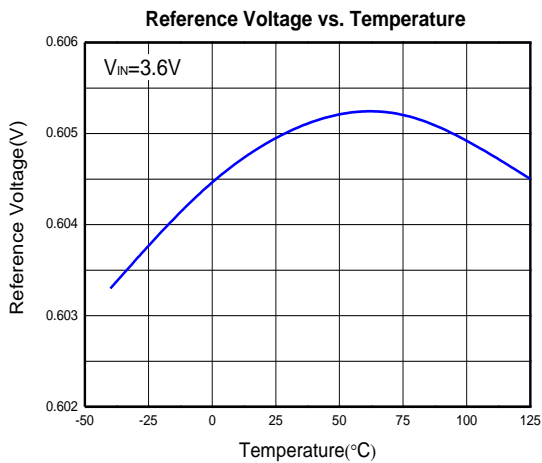
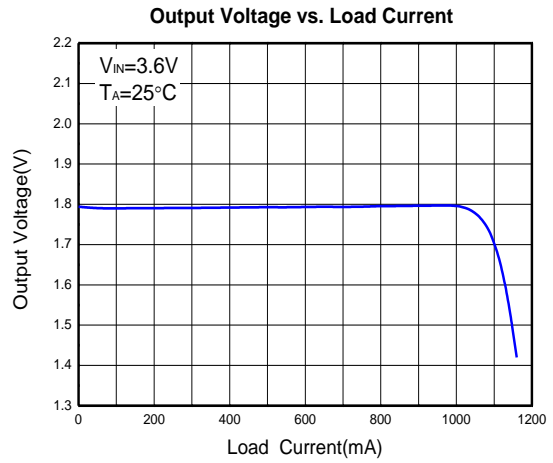
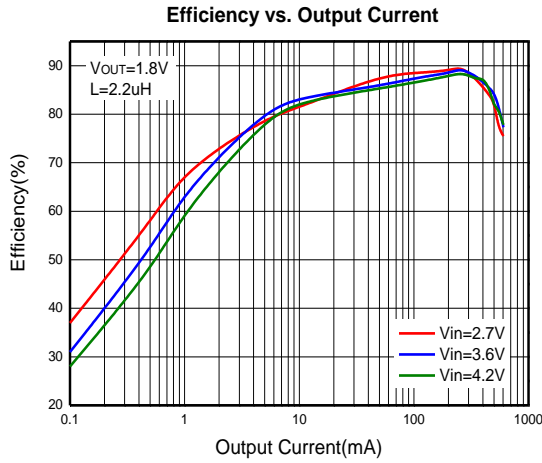
 ($V_{IN1} = V_{IN2} = V_{EN1} = V_{EN2} = 3.6V$, $T_A = 25^\circ C$, unless otherwise noted.)

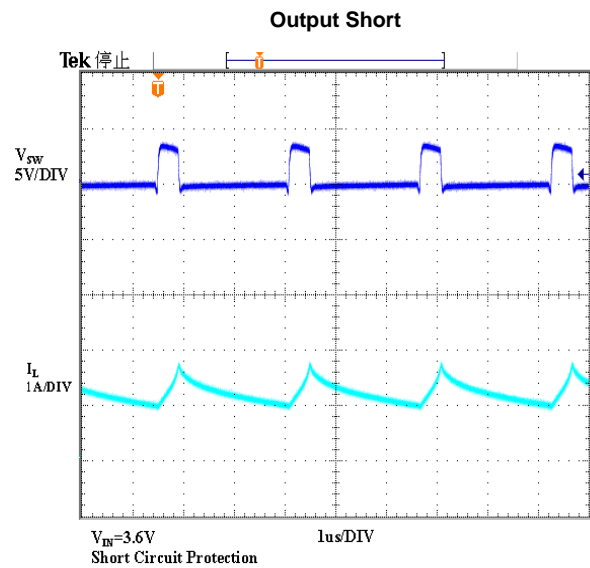
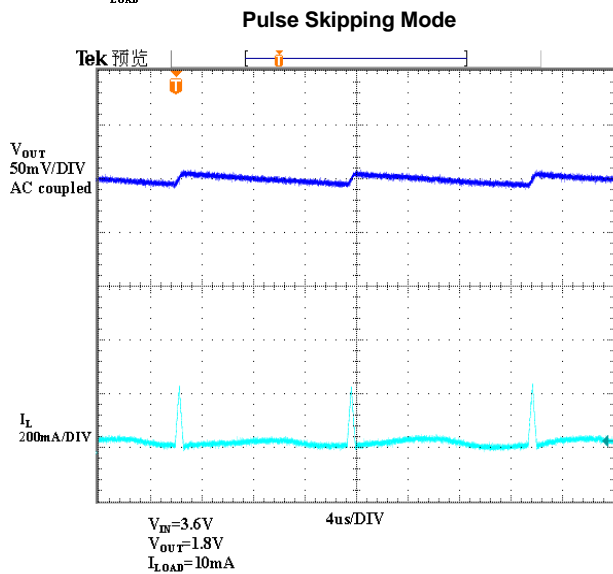
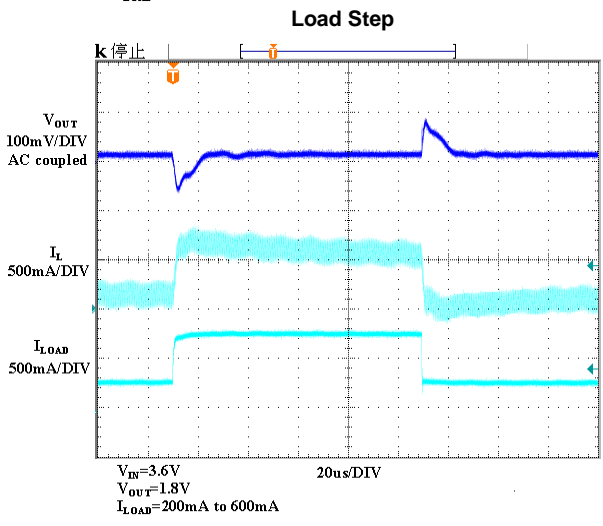
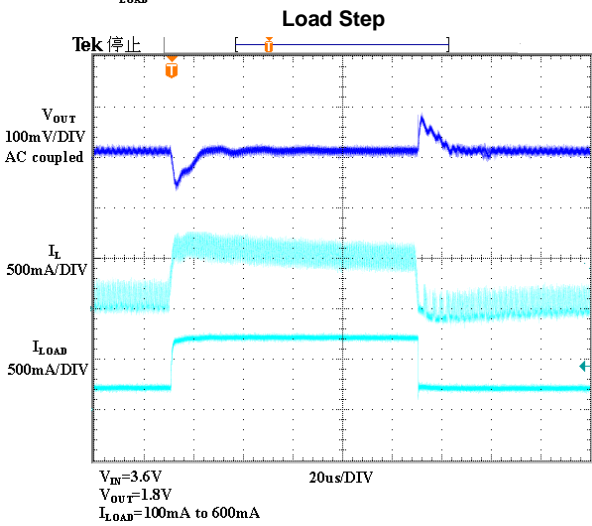
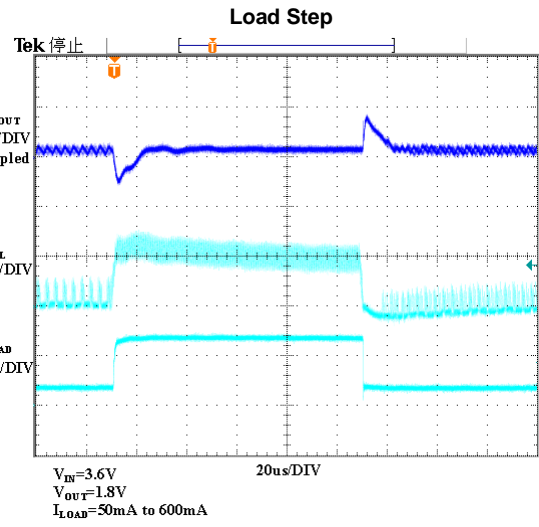
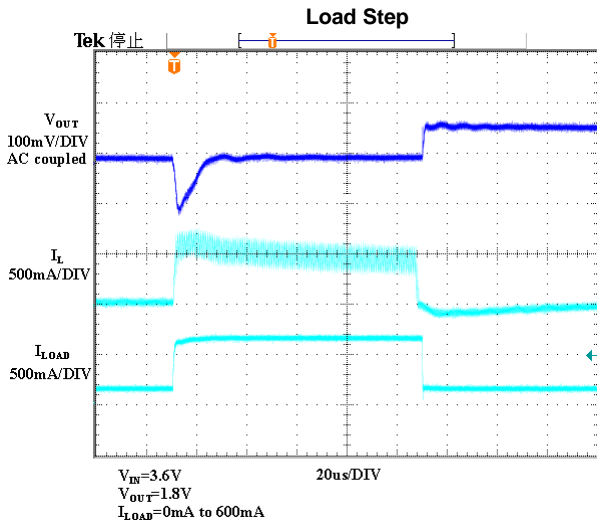
Parameter	Conditions	MIN	TYP	MAX	Unit
Input Voltage Range		2.5		5.5	V
Input DC Supply Current					
Active Mode	$V_{FB}=0.5V$ or $V_{OUT}=90\%$		180	300	μA
Shutdown Mode	$V_{FB}=0V$, $V_{IN}=4.2V$		0.1	1.0	
Regulated Feedback Voltage	$T_A = +25^\circ C$	0.5880	0.6000	0.6120	V
	$T_A = 0^\circ C \leq T_A \leq 85^\circ C$	0.5865	0.6000	0.6135	
	$T_A = -40^\circ C \leq T_A \leq 85^\circ C$	0.5850	0.6000	0.6150	
V_{FB} Input Bias Current	$V_{FB} = 0.65V$			± 30	nA
Reference Voltage Line Regulation	$V_{IN} = 2.5V$ to $5.5V$		0.04	0.4	%/V
Output Overvoltage Lockout	$\Delta V_{OVL} = V_{OVL} - V_{FB}$, Adjustable Version	20	50	80	mV
Output Voltage Line Regulation	$V_{IN} = 2.5V$ to $5.5V$		0.04	0.40	%
Output Voltage Load Regulation			0.5		%
Peak Inductor Current	$V_{IN}=3V$, $V_{FB}=0.5V$ or $V_{OUT}=90\%$ Duty Cycle <35%		1.2		A
Oscillator Frequency	$V_{FB}=0.6V$ or $V_{OUT}=100\%$	1.2	1.5	1.8	MHz
$R_{DS(ON)}$ of P-CH MOSFET	$I_{SW} = 300mA$		0.40	0.50	Ω
$R_{DS(ON)}$ of N-CH MOSFET	$I_{SW} = -300mA$		0.35	0.45	Ω
SW Leakage Current	$V_{RUN} = 0V$, $V_{SW} = 0V$ or $5V$, $V_{IN} = 5V$		± 0.01	± 1	μA
EN Threshold	$-40^\circ C \leq T_A \leq 85^\circ C$	0.3	1.1	1.30	V
EN Leakage Current			± 0.01	± 1	μA

Note 5: 100% production test at $+25^\circ C$. Specifications over the temperature range are guaranteed by design and characterization.

Typical Performance Characteristics

(Test Figure 1 above unless otherwise specified)





Operation

The BL9328 uses a constant frequency, current mode step-down architecture. Both the main switch (P-channel MOSFET) and the synchronous rectifier (N-channel MOSFET) are integrated internally. This Step-Down DC-DC Converter can supply 800mA output current over a wide input voltage range from 2.5V to 5.5V. The over voltage comparator OVDET guards against transient overshoots >7.8% by turning the main switch off and keeping it off until the fault is removed.

Current Mode PWM Control

Slope compensated current mode PWM control provides stable switching and cycle-by-cycle current limit for excellent load and line responses. During normal operation, the internal main switch is turned on for a certain time to ramp the inductor current at each rising edge of the internal oscillator, and turned off when the peak inductor current reaches the controlled value. When the main switch is off, the synchronous rectifier will be turned on immediately and stay on until either the inductor current starts to reverse, as indicated by the current reversal comparator, I_{RCMP} , or the beginning of the next clock cycle.

Pulse Skipping Mode Operation

At very light loads, the BL9328 will automatically enter Pulse Skipping Mode to increase efficiency, further extending battery life. In this mode, the control loop skips PWM pulses while maintaining output in regulation, and the switching frequency depends on the load condition. This is a kind of PFM mode operation.

Dropout Operation

When the input voltage decreases toward the

value of the output voltage, the BL9328 will keep the main switch on for more than one switching cycle and increases the duty cycle (Note 6) until it reaches 100%. The output voltage then is the input voltage minus the voltage drop across the main switch and the inductor. At low input supply voltage, the $R_{DS(ON)}$ of the P-Channel MOSFET increases, and the efficiency of the converter decreases. Caution must be exercised to ensure the heat dissipated not to exceed the maximum junction temperature of the IC.

Note 6: The duty cycle D of a step-down converter is defined as:

$$D = T_{ON} \times f_{OSC} \times 100\% \approx \frac{V_{OUT}}{V_{IN}} \times 100\%$$

where T_{ON} is the main switch on time, and f_{OSC} is the oscillator frequency (1.5MHz).

Short Circuit Protection

The BL9328 has short circuit protection. When output is shorted to ground, the oscillator frequency is reduced to prevent the inductor current from increasing beyond the PFET current limit. The PFET current limit is also reduced to lower the short circuit current. The frequency and current limit will return to the normal values once the short circuit condition is removed and the feedback voltage reaches 0.6V.

Maximum Load Current

The BL9328 will operate with input supply voltage as low as 2.5V, however the maximum load current decreases at lower input voltage due to large IR drop on the main switch and synchronous rectifier.

Application Information

Setting the Output Voltage

Figure 1 above shows the basic application circuit with BL9328 adjustable output version. The external resistor sets the output voltage according to the following equation:

$$V_{OUT} = 0.6V \times \left(1 + \frac{R2}{R1}\right)$$

Table 1—Resistor Selection vs. Output Voltage Setting

VOUT	R1	R2
1.0V	180 kΩ(1%)	120 kΩ(1%)
1.2V	180 kΩ(1%)	180 kΩ(1%)
1.5V	180 kΩ(1%)	270 kΩ(1%)
1.8V	180 kΩ(1%)	360 kΩ(1%)
2.5V	158 kΩ(1%)	499 kΩ(1%)
3.3V	180 kΩ(1%)	810 kΩ(1%)

Inductor Selection

The output inductor is selected to limit the ripple current to some predetermined value, typically 20%~40% of the full load current at the maximum input voltage. In continuous mode, the ripple current is determined by:

$$\Delta I_L = \frac{1}{f \times L} V_{OUT} \left(1 - \frac{V_{OUT}}{V_{IN}}\right)$$

A reasonable starting point for setting ripple current is $\Delta I_L = 320\text{mA}$ (40% of 800mA). For output voltages above 2.0V, when efficiency at light load condition is important, the minimum recommended inductor is 2.2μH. For optimum voltage-positioning load transients, choose an inductor with DC series resistance below 150mΩ. For higher efficiency at heavy loads (above 200mA), or minimal load regulation (but some transient overshoot), the resistance should be kept below 100mΩ. The DC current rating of the inductor should be at least equal to the maximum load current plus half the ripple current to prevent core saturation. Thus, a 960mA rated inductor should be enough for most applications (800mA+160mA).

Input Capacitor Selection

The input capacitor reduces the surge current drawn from the input and switching noise from the device. The input capacitor impedance at the switching frequency shall be less than input source impedance to prevent high frequency switching current passing to the input. In continuous mode, the source current of the main switch is a square wave of duty cycle V_{OUT}/V_{IN} . To prevent large voltage transients, a low ESR input capacitor sized for the maximum RMS current must be used. The maximum RMS capacitor current is given by:

$$I_{RMS} \approx I_{OMAX} \frac{[V_{OUT} (V_{IN} - V_{OUT})]^{0.5}}{V_{IN}}$$

This formula has a maximum at $V_{IN} = 2V_{OUT}$, where $I_{RMS} = I_{OUT}/2$. This simple worst-case condition is commonly used for design because even significant deviations do not offer much relief. Ceramic capacitors with X5R or X7R dielectrics are recommended due to their low ESR and high ripple current.

Output Capacitor Selection

The output capacitor is required to keep the output voltage ripple small and to ensure regulation loop stability. The output capacitor must have low impedance at the switching frequency. Ceramic capacitors with X5R or X7R dielectrics are recommended due to their low ESR and high ripple current. The output ripple ΔV_{OUT} is determined by:

$$\Delta V_{OUT} \leq \frac{V_{OUT} \times (V_{IN} - V_{OUT})}{V_{IN} \times f_{OSC} \times L} \times \left(ESR + \frac{1}{8 \times f_{OSC} \times C_2} \right)$$

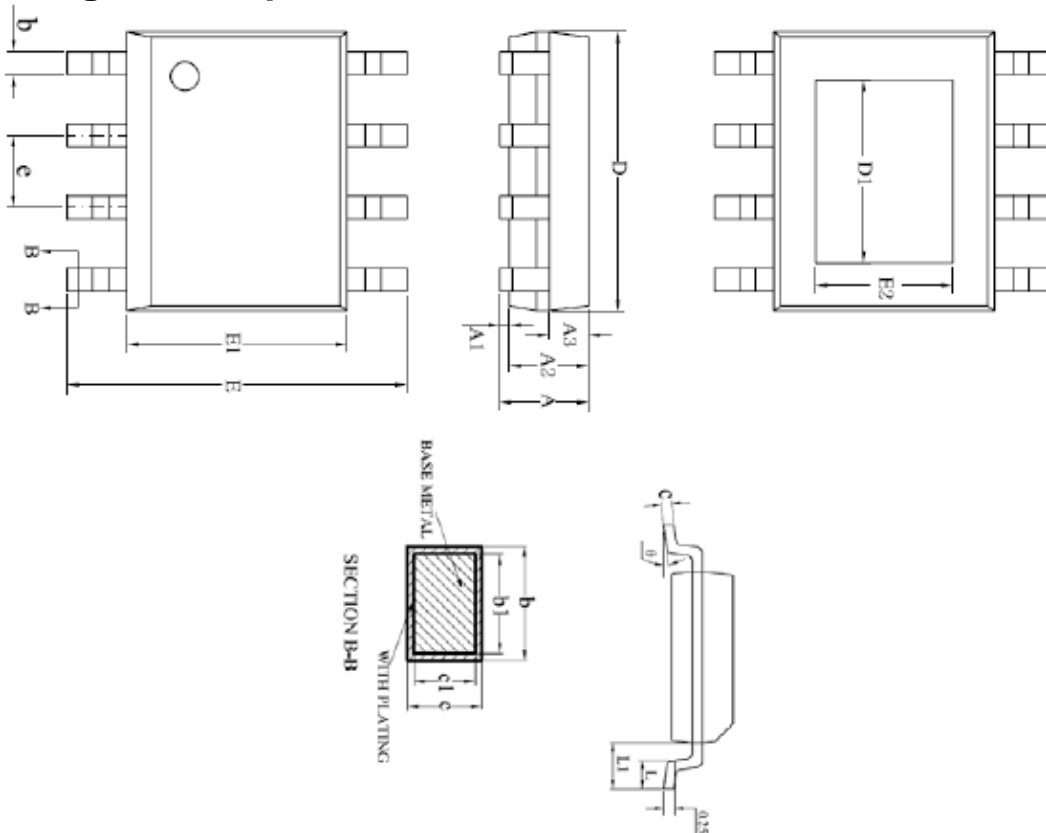
Layout Considerations

When laying out the printed circuit board, the following checklist should be used to ensure proper operation of the BL9328. Check the following in your layout:

1. The power traces, consisting of the GND trace, the SW trace and the V_{IN} trace should be kept short, direct and wide.

2. Does the V_{FB} pin connect directly to the feedback resistors? The resistive divider R1/R2 must be connected between the (+) plate of C_{OUT} and ground.
3. Does the (+) plate of C_{IN} connect to V_{IN} as closely as possible? This capacitor provides the AC current to the internal power MOSFETS.
4. Keep the switching node, SW, away from the sensitive V_{FB} node.
5. Keep the (-) plates of C_{IN} and C_{OUT} as close as possible.

Package Description



Symbol	Dimensions In Millimeters		
	Min	NOM	Max
A			1.77
A1	0.08	0.18	0.28
A2	1.2	1.4	1.6
A3	0.55	0.65	0.75
b	0.39		0.48
b 1	0.38	0.41	0.43
c	0.21		0.26
c 1	0.19	0.2	0.21
D	4.7	4.9	5.1
E	5.8	6	6.2
E1	3.7	3.9	4.1
e	1.27BSC		
L	0.5	0.65	0.8
L1	1.05BSC		
Ø	0		8°
D1	3.30REF		
E2	2.40REF		

ESOP-8 Surface Mount Package