



# Murata EMI Filters and Ferrite Beads



## LEADED EMI SUPPRESSION FILTER COMPACT DISC-TYPE

### DS306 and DSS306 Series

#### Applications:

- Computer and peripherals interfaces
- Compact digital equipment
- Compact PPC, electronic typewriters, other electronic equipment and appliances
- Helps all electronic equipment and appliances meet FCC, VDE and CISPR regulations
- STD footprint for high density mounting

For quantities greater than listed, call for quote.

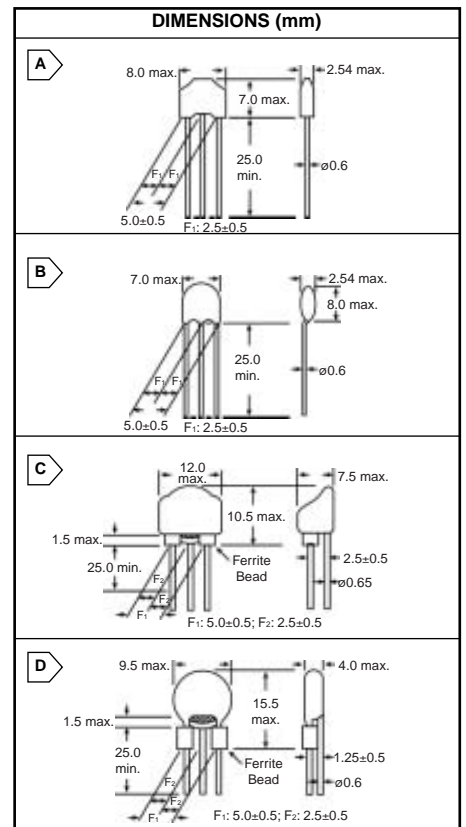
MOUSER STOCK NO.	Fig.	Murata Part No.	Capacitance pF	Capacitor		Ferrite Beads	Price Each			
				W.V	T.C.		1	100	250	500
<b>Manufacturers Type DS306 Series</b>										
81-DS306Y5S470M50	A	DS306-55Y5S470M50	47	50	20%	None	.80	.44	.32	.30
81-DS306Y5S101M50	B	DS306-55Y5S101M50	100	50	20%	None	.70	.39	.29	.26
81-DS306FZ103Z50	B	DS306-55FZ103Z50	10000	50	80%-20%	None	.70	.39	.29	.26
<b>Manufacturers Type DSS306 Series</b>										
81-DSS306Y5S470M100	A	DSS306-55Y5S470M100	47	100	20%	Internal	.90	.50	.36	.34
81-DSS306Y5S101M100	A	DSS306-55Y5S101M100	100	100	20%	Internal	.80	.44	.32	.30
81-DSS306Y5S271M100	A	DSS306-55Y5S271M100	270	100	20%	Internal	.90	.50	.36	.34
81-DSS306Y5S471M100	A	DSS306-55Y5S471M100	470	100	20%	Internal	.90	.50	.36	.34
81-DSS306Y5S102M100	A	DSS306-55Y5S102M100	1000	100	20%	Internal	.90	.50	.36	.34
81-DSS306Y5S222Z100	A	DSS306-55Y5S222Z100	2200	100	80%-20%	Internal	.90	.50	.36	.34

### DSS310 and DST310 Series

Disc-type EMIFIL®, DSS310 and DST310 are T-type EMI suppression filters. The disc-type EMIFIL increases the self-resonant frequency of the capacitor by attaching two lead wires to one of the electrodes of the capacitor and increases the insertion loss by adding inductance to the lead in the DST and DSS types only. Frequencies to be suppressed can be selected by choosing the capacitance. They are also recommended for use as by-pass capacitors.

For quantities greater than listed, call for quote.

MOUSER STOCK NO.	Fig.	Murata Part No.	Capacitance pF	Capacitor		Ferrite Beads	Price Each			
				W.V	T.C.		1	100	200	500
<b>Manufacturers Type DSS310 Series</b>										
81-DSS310Y5S220M100	C	DSS310-55Y5S220M100	22	100	20%	Internal	1.10	.61	.44	.41
81-DSS310Y5S470M100	C	DSS310-55Y5S470M100	47	100	20%	Internal	1.10	.61	.44	.41
81-DSS310Y5S271M100	C	DSS310-55S271M100	270	100	20%	Internal	1.10	.61	.44	.41
81-DSS310Y5S222M100	C	DSS310-55Y5S222M100	2200	100	20%	Internal	1.10	.61	.44	.41
81-DSS310BL222M100	C	DSS310-55BL222M100	2200	100	20%	Internal	1.10	.61	.44	.41
81-DSS310Y5S223S50	C	DSS310-55Y5S223S50	22000	50	50%-20%	Internal	1.10	.61	.44	.41
<b>Manufacturers Type DST310 Series</b>										
81-DST310Y5S271M100	D	DST310-55Y5S271M100	270	100	20%	External	1.20	.66	.48	.45
81-DST310Y5S222M100	D	DST310-55Y5S222M100	2200	100	20%	External	1.20	.66	.48	.45
81-DST310Y5S223S50	D	DST310-55Y5S223S50	22000	50	50%-20%	External	1.20	.66	.48	.45



Inductors Murata

## SURFACE MOUNT EMI FILTERS CHIP FERRITE BEADS

### BLM\_A Series Designed for Standard Type Signals

#### Features:

- Suitable for flow and reflow soldering
- Wide temperature range
- High Z characteristics

#### Applications:

- I/O ports, DC power lines, and signal lines

For quantities greater than listed, call for quote.

MOUSER STOCK NO.	Murata Part No.	Case Code	Imped. 100MHz	DCR Ω Max.	Rated Current (mA)	Price Each		
						1	500	1000
81-BLM11A121S	BLM11A121SPT	0603	120	0.2	200	.13	.08	.07
81-BLM11A221S	BLM11A221SPT	0603	220	0.3	200	.13	.08	.07
81-BLM11A601S	BLM11A601SPT	0603	600	0.5	200	.13	.08	.07
81-BLM11A102S	BLM11A102SPT	0603	1000	0.7	100	.13	.08	.07
81-BLM21A121S	BLM21A121SPT	0805	120	0.15	200	.20	.10	.09
81-BLM21A401S	BLM21A401SPT	0805	400	0.85	200	.20	.10	.09
81-BLM21A601S	BLM21A601SPT	0805	600	0.3	200	.20	.10	.09
81-BLM21A102S	BLM21A102SPT	0805	1000	0.45	200	.17	.10	.08
81-BLM31A260S	BLM31A260SPT	1206	26	0.05	500	.28	.16	.15
81-BLM31A700S	BLM31A700SPT	1206	70	0.15	200	.28	.16	.15
81-BLM31A601S	BLM31A601SPT	1206	600	0.9	200	.28	.16	.15
81-BLM41A800S	BLM41A800SPT	1806	80	0.1	500	.42	.30	.26
81-BLM41A151S	BLM41A151SPT	1806	150	0.5	200	.42	.30	.26

### BLM\_B Series Designed for High Speed Signals

#### Features:

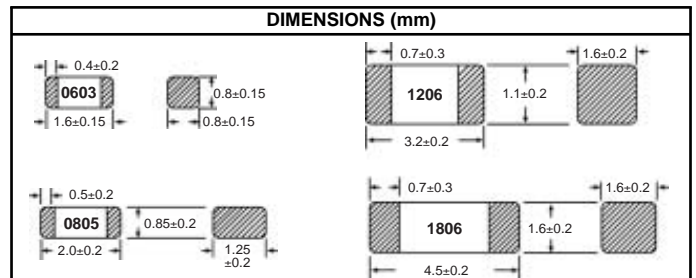
- Designed to reduce noise above operating frequencies from 10 to 100MHz
- High impedance characteristics
- Small size
- Suitable for flow and reflow soldering

#### Applications:

- Computers and peripheral equipment
- Consumer products
- High speed circuits
- Suitable for circuits with unstable ground

For quantities greater than listed, call for quote.

MOUSER STOCK NO.	Murata Part No.	Case Code	Imped. 100MHz	DCR Ω Max.	Rated Current (mA)	Price Each		
						1	500	1000
81-BLM11B750S	BLM11B750SPT	0603	75	0.35	200	.13	.08	.07
81-BLM11B141S	BLM11B141SPT	0603	140	0.55	200	.13	.08	.07
81-BLM11B421S	BLM11B421SPT	0603	420	0.55	200	.13	.08	.07
81-BLM11B601S	BLM11B601SPT	0603	600	0.65	200	.13	.08	.07
81-BLM21B050S	BLM21B050SPT	0805	5	0.07	500	.20	.10	.09
81-BLM21B750S	BLM21B750SPT	0805	75	0.25	200	.20	.10	.09
81-BLM21B201S	BLM21B201SPT	0805	200	0.35	200	.20	.10	.09
81-BLM21B601S	BLM21B601SPT	0805	600	0.35	200	.20	.10	.09
81-BLM21B102S	BLM21B102SPT	0805	1000	0.4	200	.20	.10	.09
81-BLM21B222S	BLM21B222SPT	0805	2200	0.6	200	.29	.15	.14
81-BLM21B751S	BLM21B751SPT	0805	750	0.4	200	.20	.10	.09
81-BLM31B601S	BLM31B601SPT	1206	600	0.35	200	.28	.16	.15



### BLM\_P Series Designed for Low DCR High Current

#### Features:

- Suitable high frequency noise suppression over wide frequency range
- Current rating up to 6A
- Small package size - EIA STD 063/085/1206 and 1806
- Nickel barrier terminations provide excellent solder heat resistance
- Low DCR

#### Applications:

- High current DC power lines
- Circuits where a stable ground is unavailable

For quantities greater than listed, call for quote.

MOUSER STOCK NO.	Murata Part No.	Case Code	Imped. 100MHz	DCR Ω Max.	Rated Current (mA)	Price Each		
						1	500	1000
81-BLM11P300S	BLM11P300SPT	0603	30	0.06	1000	.13	.08	.07
81-BLM11P600S	BLM11P600SPT	0603	60	0.1	500	.13	.08	.07
81-BLM21P221SG	BLM21P221SGPT	0805	220	0.05	2000	.16	.09	.08
81-BLM21P331SG	BLM21P331SGPT	0805	330	0.09	1500	.16	.09	.08
81-BLM31P500S	BLM31P500SPT	1206	50	0.025	3000	.28	.16	.15
81-BLM41P600S	BLM41P600SPT	1806	60	0.01	6000	.42	.30	.26
81-BLM41P750S	BLM41P750SPT	1806	75	0.025	3000	.42	.30	.26
81-BLM41P800S	BLM41P800SPT	1806	80	0.1	1000	.42	.30	.26

### BLM\_HA/HB Series Designed for UHF Applications

#### Features:

- High impedance in the GHz range
- Small size
- Suitable for circuits with unstable ground

#### Applications for BLM11A:

- I/O ports
- Signal lines

#### Applications for BLM11B:

- Computers and peripheral equipment
- High speed circuits

For quantities greater than listed, call for quote.

MOUSER STOCK NO.	Murata Part No.	Case Code	Imped. 100MHz	DCR Ω Max.	Rated Current (mA)	Price Each		
						1	500	1000
81-BLM11HA471SG	BLM11HA471SGPT	0603	470	0.85	200	.25	.16	.12
81-BLM11HA102SG	BLM11HA102SGPT	0603	1000	1.6	200	.25	.16	.12
81-BLM11HA601SG	BLM11HA601SGPT	0603	600	1	200	.25	.16	.12
81-BLM11HB601SD	BLM11HB601SDPT	0603	600	0.5	1000	.25	.16	.12

www.DataSheet4U.com