

## FEATURES

- ◆ 3A Output Current
- ◆ Efficiency up to nearly 90% @+5V /3A output
- ◆ +3.85V to +23V Input Range
- ◆ 55µA Shutdown Supply Current
- ◆ 380kHz Switching Frequency
- ◆ Adjustable Output Voltage from 1.22V to  $0.85 \cdot V_{IN}$
- ◆ Cycle-by-Cycle Current Limit Protection
- ◆ Thermal Shutdown Protection
- ◆ Frequency Fold Back at Short Circuit
- ◆ **Low start up input voltage ; Low dropout to nearly 0.7V**
- ◆ full pin-pin with ACT4060/ TD1410 / MP1410
- ◆ SOP-8 Package

## APPLICATIONS

- ◆ TFT LCD Monitors
- ◆ Portable DVDs
- ◆ NET CARD
- ◆ Telecom Power Supplies
- ◆ DSL and Cable Modems and Routers
- ◆ LCD TV

## GENERAL DESCRIPTION

The BM1430 is a current-mode step-down DC-DC converter that generates up to 3A output current at 380kHz switching frequency. The device utilizes advanced BCD process for operation with input voltage up to +23V consuming only 55µA in shutdown mode, the BM1430 is highly efficient with peak efficiency at 90% when in operation.

Protection features include cycle-by-cycle current limit, thermal shutdown, and frequency fold back at short circuit.

The BM1430 is available in SOP-8 package and requires very few external devices for operation.

It can replace TD1410/MP9141 without change external components and PCB layout.

If  $V_{in}$  is over 12V, if not use pin7 function , can pull-up a 100K ohm to  $V_{in}$  input with a pull-up resistor, be better not short to  $V_{in}$  directly.

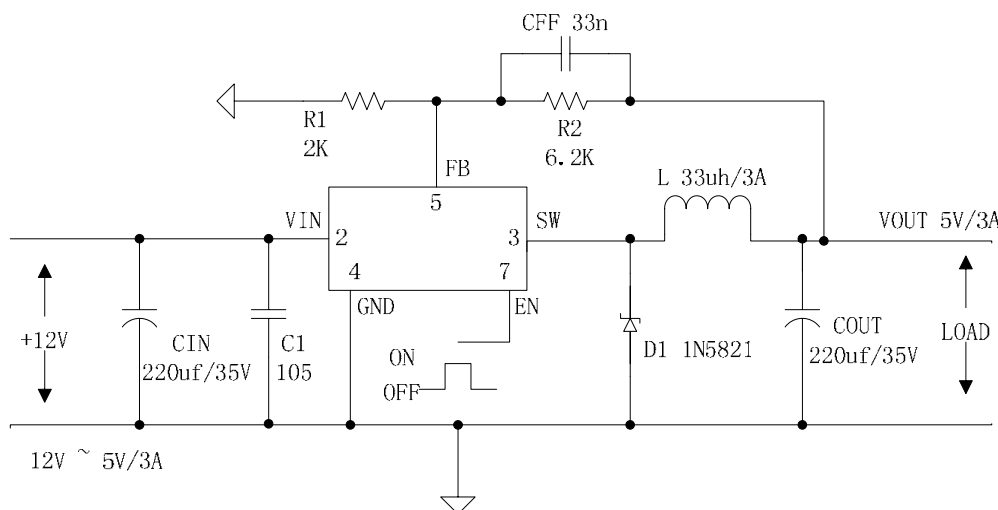
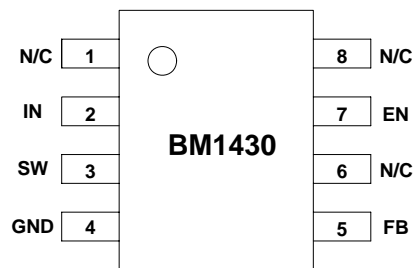


Figure 1. Typical Application Circuit (CFF= 0 ~ 33nF)

### ORDERING INFORMATION

PART NUMBER	TEMPERATURE RANGE	PACKAGE
BM1430	-40°C to 85°C	SOP-8

### PIN CONFIGURATION



PIN No.	PIN NAME	PIN DESCRIPTION
1	N/C	
2	IN	Input Supply. Bypass this pin to G with a low ESR capacitor. See Input Capacitor in Application Information section.
3	SW	Switch Output. Connect this pin to the switching end of the inductor.
4	G	Ground.
5	FB	Feedback Input. The voltage at this pin is regulated to 1.22V. Connect to the resistor divider between output and ground to set output voltage.
6	N/C	
7	EN	Enable Input. When higher than 1.7V, this pin turns the IC on. When lower than 0.8V, this pin turns the IC off. Output voltage is discharged when the IC is off. This pin has a small internal pull up current to a high level voltage when pin is not connected.
8	N/C	Not Connected.

## ABSOLUTE MAXIMUM RATINGS

(Note: Do not exceed these limits to prevent damage to the device. Exposure to absolute maximum rating conditions for long periods may affect device reliability.)

PARAMETER	VALUE	UNIT
IN Supply Voltage	-0.3 to 23	V
SW Voltage	-1 to VIN + 1	V
EN, FB, Voltage	-0.3 to 10	V
Continuous SW Current	Internally limited	A
Junction to Ambient Thermal Resistance ( $\theta_{JA}$ )	105	°C/W
Operating Junction Temperature	-40 to 150	°C
Storage Temperature	-55 to 150	°C
Lead Temperature (Soldering, 10 sec)	300	°C

## ELECTRICAL CHARACTERISTICS

(VIN = 12V, TJ = 25°C unless otherwise specified)

PARAMETER	SYMBOL	TEST CONDITIONS	MIN	TYP	MAX	UNIT
Feedback Voltage	VFB	+5V ≤ VIN ≤ 20V, VCOMP = 1.5V	1.2	1.22	1.23	V
High-Side Switch On Resistance	RONH			0.20		Ω
Low-Side Switch On Resistance	RONL			4.7		Ω
SW Leakage		VEN = 0		0.5		5μA
Current Limit	ILIM		3.6	4.2		A
COMP to Current Limit Transconductance	GCOMP			1.8		A/V
Error Amplifier Transconductance	GEA	ΔICOMP = ±10μA		550		μA/V
Error Amplifier DC Gain	AVEA			3200		V/V
Switching Frequency	fSW		320	380	430	kHz
Short Circuit Switching Frequency		VFB = 0		80		kHz
Maximum Duty Cycle	DMAX	VFB = 1.1V		100		%
Minimum Duty Cycle		VFB = 1.4V			0	%
Enable Threshold Voltage		Hysteresis = 0.1V	0.8		2	V
Enable Pull Up Current		Pin pulled up to 4.5V typically when left unconnected		15		μA
Supply Current in Shutdown		VEN = 0		55	60	μA
IC Supply Current in Operation		VEN = 3V, VFB = 1.4V		6		mA
Thermal Shutdown Temperature		Hysteresis = 10°C		140		°C

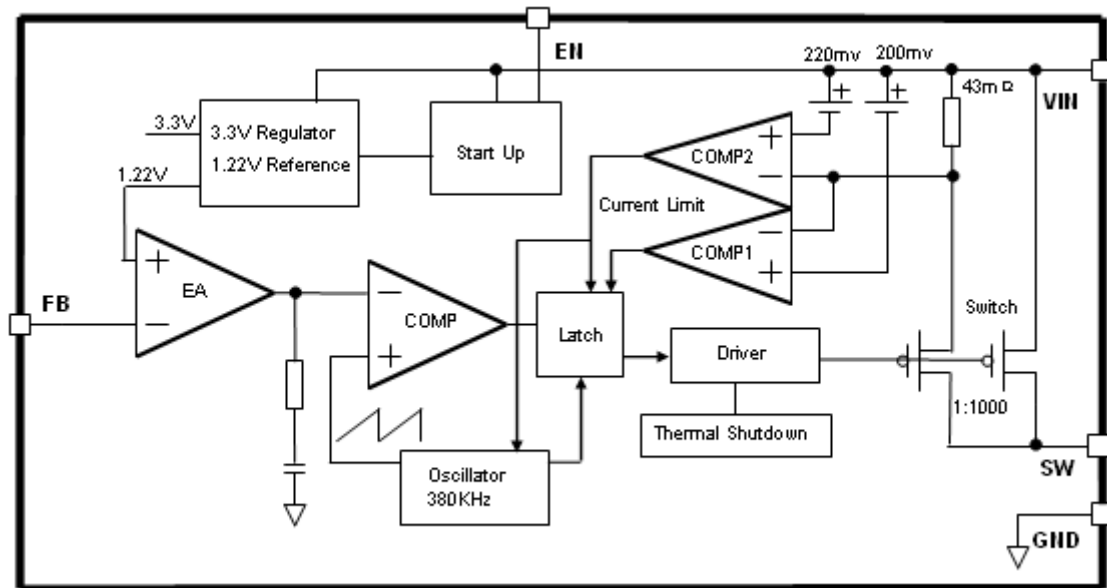


Figure 2 . Functional Block Diagram

## FUNCTIONAL DESCRIPTION

As seen in Figure 2, *Functional Block Diagram*, the BM1430 is a current mode pulse width modulation (PWM) converter. The converter operates as follows:

A switching cycle starts when the rising edge of the Oscillator clock output causes the High-Side Power Switch to turn on and the Low-Side Power Switch to turn off. With the SW side of the inductor now connected to IN, the inductor current ramps up to store energy in its magnetic field. The inductor current level is measured by the Current Sense Amplifier and added to the Oscillator ramp signal. If the resulting summation is higher than COMP internal voltage, output of the PWM Comparator goes high. When this happens or when Oscillator clock output goes low, the High-Side Power Switch turns off and the Low-Side Power Switch turns on. At this point, the SW side of the inductor swings to a diode voltage below ground, causing the inductor current to decrease and magnetic energy to be transferred to output. This state continues until the cycle starts again.

The High-Side Power Switch is driven by logic using internal bootstrap as the positive rail. The pin is charged to  $V_{sw} + 6V$  when the Low-Side Power Switch turns on.

The COMP voltage is the integration of the error between FB input and the internal 1.22V reference. If FB is lower than the reference voltage, COMP tends to go higher to increase current to the output. Current limit happens when COMP reaches its maximum clamp value of 2.55V.

The Oscillator normally switches at 380kHz. However, if FB voltage is less than 0.7V, then the switching frequency decreases until it reaches a minimum of 80kHz at  $V_{FB} = 0.5V$ .

## SHUTDOWN CONTROL

The BM1430 has an enable input EN for turning the IC on or off. When EN is less than 1.8V, the IC is in 55 $\mu$ A low current shutdown mode and output is discharged through the Low-Side Power Switch. When EN is higher than 1.85V, the IC is in normal operation mode. EN is internally pulled up with a 15 $\mu$ A current source and can be left unconnected for always-on operation. Note that EN is a low voltage input with a maximum voltage of 10V; it should never be directly connected to **V<sub>in</sub>** if over 12V input.

## THERMAL SHUTDOWN

The BM1430 automatically turns off when its junction temperature exceeds 140°C.

## APPLICATION INFORMATION

### OUTPUT VOLTAGE SETTING

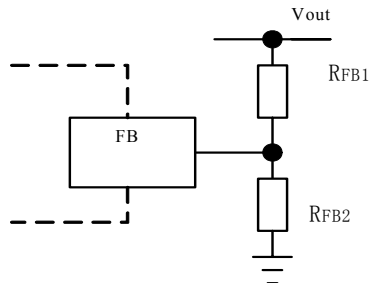


Figure 3. Output Voltage Setting

Figure 3 shows the connections for setting the output voltage. Select the proper ratio of the two feedback resistors  $R_{FB1}$  and  $R_{FB2}$  based on the output voltage. Typically, use  $R_{FB2} \approx 10k\Omega$  and determine  $R_{FB1}$  from the output voltage:

$$R_{FB1} = R_{FB2} \left( \frac{V_{OUT}}{1.225V} - 1 \right) \quad (1)$$

### INDUCTOR SELECTION

The inductor maintains a continuous current to the output load. This inductor current has a ripple that is dependent on the inductance value: higher inductance reduces the peak-to-peak ripple current. The trade off for high inductance value is the increase in inductor core size and series resistance, and the reduction in current handling capability. In general, select an inductance value  $L$  based on ripple current requirement:

$$L = \frac{V_{OUT} \cdot (V_{IN} - V_{OUT})}{V_{IN} \cdot f_{SW} \cdot I_{OUTMAX} \cdot K_{RIPPLE}} \quad (2)$$

where  $V_{IN}$  is the input voltage,  $V_{OUT}$  is the output voltage,  $f_{SW}$  is the switching frequency,  $I_{OUTMAX}$  is the maximum output current, and  $K_{RIPPLE}$  is the ripple  $f_{CXOR}$ . Typically, choose  $K_{RIPPLE} = 30\%$  to correspond to the peak-to-peak ripple current being 30% of the maximum output current.

With this inductor value (Table 1), the peak inductor current is  $I_{OUT} \cdot (1 + K_{RIPPLE} / 2)$ . Make sure that this peak inductor current is less than the 4A current limit. Finally, select the inductor core size so that it does not saturate at 3A.

Table 1. Typical Inductor Values

Vout	1.5v	1.8v	2.5v	3.3v	5v	12v
L( $\mu$ H)	$\geq 6.8$	$\geq 6.8$	$\geq 10$	$\geq 15$	$\geq 22$	$\geq 47$

### INPUT CAPACITOR

The input capacitor needs to be carefully selected to maintain sufficiently low ripple at the supply input of the converter. A low ESR capacitor is highly recommended. Since large current flows in and out of this capacitor during switching, its ESR also affects efficiency.

The input capacitance needs to be higher than  $10\mu F$ . The best choice is the ceramic type; however, low ESR tantalum or electrolytic types may also be used provided that the RMS ripple current rating is higher than 50% of the output current. The input capacitor should be placed close to the IN and G pins of the IC, with shortest traces possible. In the case of tantalum or electrolytic types, they can be further away if a small parallel  $0.1\mu F$  ceramic capacitor is placed right next to the IC.

### OUTPUT CAPACITOR

The output capacitor also needs to have low ESR to keep low output voltage ripple. The output ripple voltage is:

$$V_{RIPPLE} = I_{OUTMAX} \cdot K_{RIPPLE} \cdot R_{ESR} + \frac{V_{IN}}{28 \cdot f_{SW}^2 \cdot LC_{OUT}} \quad (3)$$

where  $I_{OUTMAX}$  is the maximum output current,  $K_{RIPPLE}$  is the ripple  $f_{CXOR}$ ,  $R_{ESR}$  is the ESR resistance of the output capacitor,  $f_{SW}$  is the switching frequency,  $L$  is the inductor value,  $C_{OUT}$  is the output capacitance. In the case of ceramic output capacitors,  $R_{ESR}$  is very small and does not contribute to the ripple. Therefore, a lower capacitance value can be used for ceramic type. In the case of tantalum or electrolytic type, the ripple is dominated by  $R_{ESR}$  multiplied by the ripple current. In that case, the output capacitor is chosen to have sufficiently low ESR.

For ceramic output type, typically choose a capacitance of about  $22\mu F$ . For tantalum or electrolytic type, choose a capacitor with less than  $50m\Omega$  ESR.

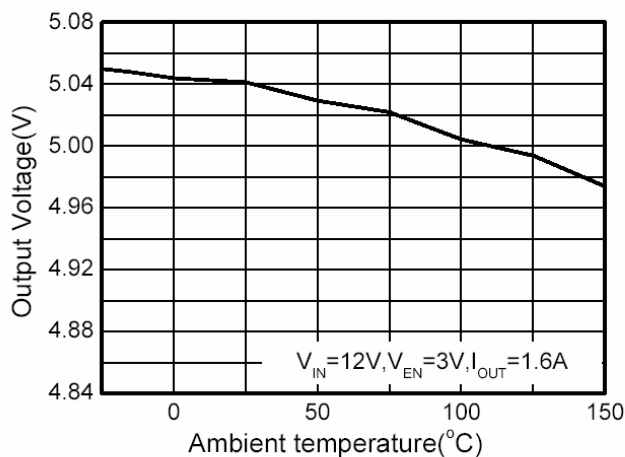
### RECTIFIER DIODE

Use a Schottky diode as the rectifier to conduct current when the High-Side Power Switch is off. The Schottky diode must have current rating higher than the maximum output current and the reverse voltage rating higher than the maximum input voltage.

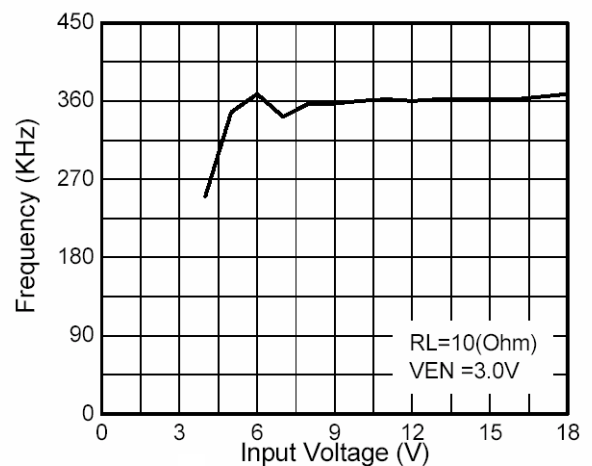
**Schottky Diode Selection Table**

Current	Surface Mount	Through Hole	VR (The same as system maximum input voltage)				
			20V	30V	40V	50V	60V
1A		✓	1N5817	SK14	1N5819		
3A		✓	1N5820	1N5821	1N5822		
		✓	MBR320	MBR330	MBR340	MBR350	MBR360
	✓		SK32	SK33	SK34	SK35	SK36
	✓			30WQ03	30WQ04	30WQ05	
		✓		31DQ03	31DQ04	31DQ05	
		✓	SR302	SR303	SR304	SR305	SR306

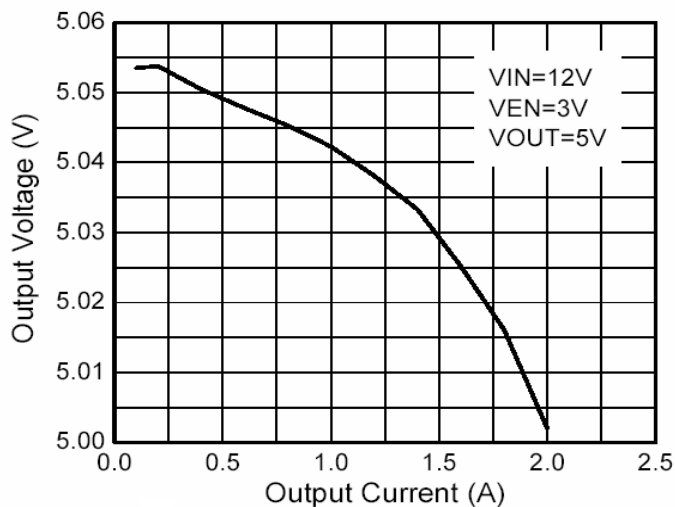
**TYPICAL PERFORMANCE AND CHARACTERISTICS:**



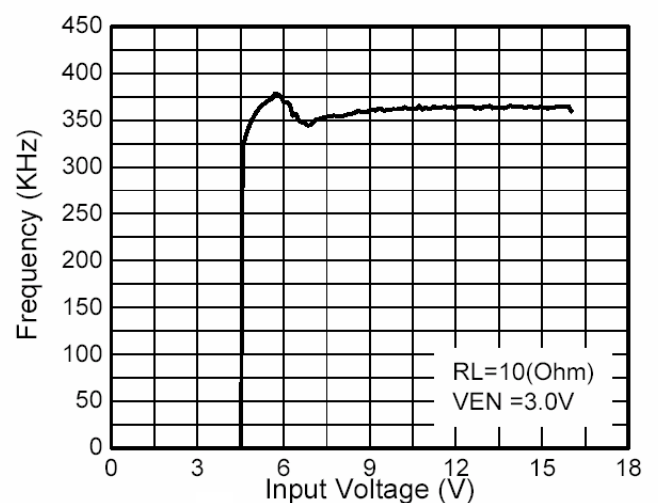
**Figure6: Ripple Voltage vs Output Current**



**Figure7: Frequency vs Input Voltage**



**Figure8: Output Voltage vs Output Current**



**Figure9: Frequency vs Input Voltage**

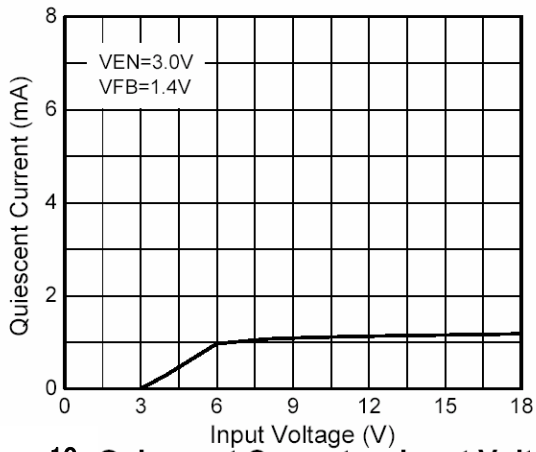


Figure10: Quiescent Current vs Input Voltage

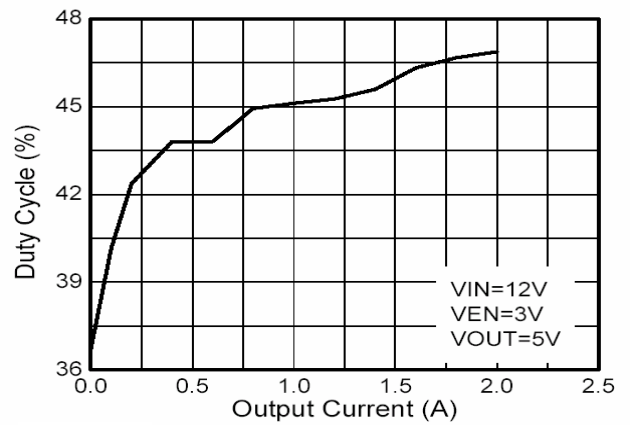
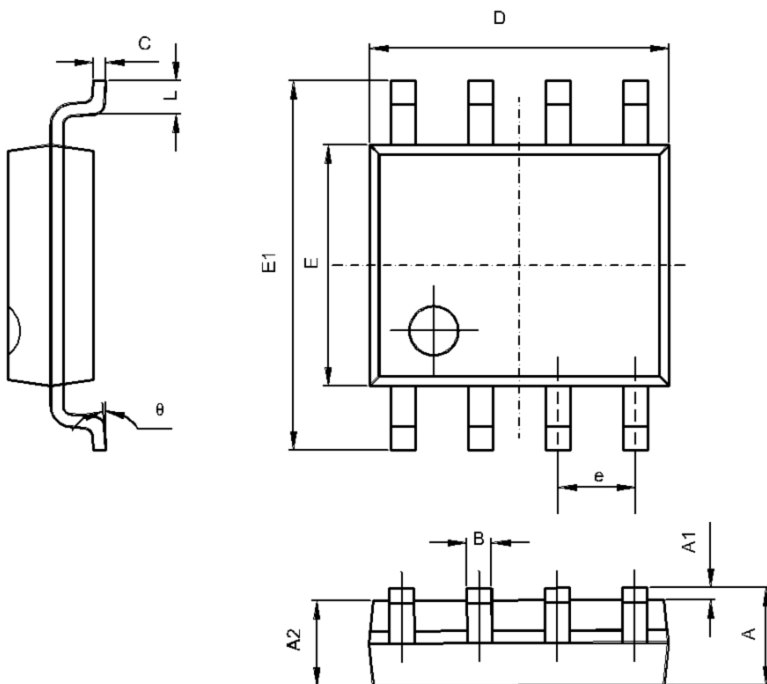


Figure11: Duty Cycle vs Output Current

## PACKAGE OUTLINE

### SOP-8 PACKAGE OUTLINE AND DIMENSIONS



SYMBOL	DIMENSION IN MILLIMETERS		DIMENSION IN INCHES	
	MIN	MAX	MIN	MAX
A	1.350	1.750	0.053	0.069
A1	0.100	0.250	0.004	0.010
A2	1.350	1.550	0.053	0.061
B	0.330	0.510	0.013	0.020
C	0.190	0.250	0.007	0.010
D	4.780	5.000	0.188	0.197
E	3.800	4.000	0.150	0.157
E1	5.800	6.300	0.228	0.248
e	1.270 TYP		0.050 TYP	
L	0.400	1.270	0.016	0.050
theta	0°	8°	0°	8°