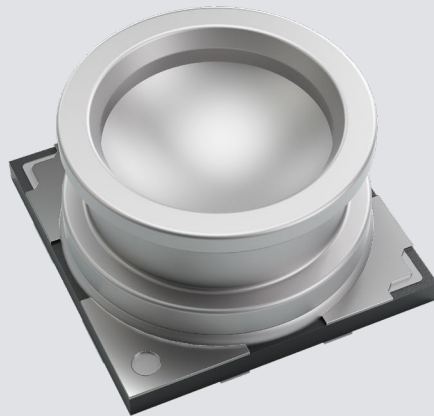


BMP585

Barometric Pressure Sensor



BMP585 Datasheet

Document revision	1.0
Document release date	May 2023
Document number	BST-BMP585-DS003-00
Sales Part Number(s)	0 273 017 038

Notes Data and descriptions in this document are subject to change without notice. Product photos and pictures are for illustration purposes only and may differ from the real product appearance.

Table of Contents

Table of Contents	2
1 Basic Description	8
2 Specification	10
3 Quick start guide	16
3.1 SensorAPI and COINES	16
4 Functional Description and Features	16
4.1 Block diagram	16
4.2 Power management	17
4.3 Power modes	17
4.3.1 STANDBY mode.....	17
4.3.2 DEEP STANDBY	17
4.3.3 FORCED mode	18
4.3.4 NORMAL mode	18
4.3.5 Low Power NORMAL mode	19
4.3.6 CONTINUOUS mode.....	19
4.3.7 Mode transitions	19
4.3.8 Mode-depending register write restrictions	19
4.3.9 Post-power-up procedure.....	19
4.3.10 Soft reset	19
4.4 Measurements	20
4.4.1 Pressure and temperature measurement enable.....	20
4.4.2 Pressure and temperature oversampling ratio (OSR).....	20
4.4.3 Configuration changes in NORMAL and CONTINUOUS mode.....	20
4.4.4 IIR filter	21
4.5 Data registers	23
4.5.1 Data Shadowing	23
4.6 FIFO	23
4.6.1 FIFO Configuration.....	23
4.6.2 FIFO status.....	24
4.6.3 FIFO data readout	24

4.6.4	FIFO configuration changes	25
4.7	Interrupts	25
4.7.1	Interrupt enabling	25
4.7.2	Interrupt sources	26
4.7.3	Interrupt pin	27
4.8	NVM Programmability	29
4.8.1	NVM User Range	29
5	Digital Interface	30
5.1	Protocol Selection	30
5.2	Interface timing.....	30
5.2.1	Interface timing.....	31
5.2.2	I2C timing specifications.....	32
5.3	Pad drive strength	32
5.4	Read burst address increment.....	34
5.5	SPI Protocol	34
5.5.1	SPI3 Wire Mode	34
5.5.2	SPI Write Operation	34
5.5.3	SPI read operation	35
5.5.4	SPI hybrid bursts	36
5.6	I ² C protocol.....	37
5.6.1	I ² C write operation	37
5.6.2	I ² C read operation	39
5.7	I3C Protocol	41
5.7.1	I3C Identifiers	41
5.7.2	I3C In-band Interrupts	42
5.7.3	Common Command Codes (CCC)	42
5.7.4	I3C SDR Operations.....	43
5.7.5	S0/S1 error recovery	44
6	Pin out and connection diagrams	45
6.1	Pin Out	45
6.2	Connection Diagrams.....	46
6.2.1	SPI 3-wire	46
6.2.2	SPI 4-wire	47
6.2.3	I ² C.....	47
6.2.4	I3C	48
6.2.5	SPI/I ² C/I3C Configuration with VDD, VDDIO ramp-up time <10 μs.....	48

7 Register Map	49
8 Register content	50
8.1 Register (0x01) ASIC identification ID.....	50
8.2 Register (0x02) ASIC revision ID	50
8.3 Register (0x11) ASIC status register	50
8.4 Register (0x13) Configure host interface related settings (NVM-backed)	50
8.5 Register (0x14) Interrupt configuration register	51
8.6 Register (0x15) INT source selection.....	52
8.7 Register (0x16) FIFO configuration.....	52
8.8 Register (0x17) Number of frames in FIFO.....	53
8.9 Register (0x18) FIFO selection configuration	53
8.10 Register (0x1C) Reserved.....	53
8.11 Register (0x1D) Temperature XLSB.....	53
8.12 Register (0x1E) Temperature LSB	53
8.13 Register (0x1F) Temperature MSB	54
8.14 Register (0x20) Pressure XLSB.....	54
8.15 Register (0x21) Pressure LSB	54
8.16 Register (0x22) Pressure MSB	54
8.17 Register (0x23) Reserved	54
8.18 Register (0x24) Reserved	54
8.19 Register (0x25) Reserved	55
8.20 Register (0x26) Reserved	55
8.21 Register (0x27) Interrupt status register (clear-on-read).	55
8.22 Register (0x28) Status register	55
8.23 Register (0x29) FIFO output port	56
8.24 Register (0x2B) NVM address	56
8.25 Register (0x2C) NVM data (LSB).....	56
8.26 Register (0x2D) NVM data (MSB).....	56
8.27 Register (0x30) DSP configuration.....	57
8.28 Register (0x31) DSP IIR configuration.....	57
8.29 Register (0x32) Out-of-range (OOR) threshold for pressure (LSB)	58

8.30 Register (0x33) Out-of-range (OOR) threshold for pressure (MSB)	58
8.31 Register (0x34) Out-of-range (OOR) range configuration	59
8.32 Register (0x35) Out-of-range (OOR) configuration.....	59
8.33 Register (0x36) Over-sampling rate (OSR) configuration.....	59
8.34 Register (0x37) Output data rate (ODR) configuration	60
8.35 Register (0x38) Effective over-sampling rate (OSR) configuration.....	61
8.36 Register (0x7E) Command Register	61
8.37 Register (0x7F) Register Map paging ctrl register	62
9 Package.....	63
9.1 BMP585 Package Outline Dimensions	63
9.1.1 Top View	63
9.1.2 Bottom View	64
9.1.3 Side view	65
9.2 Device Marking	66
9.2.1 Mass Production Devices	66
9.2.2 Engineering Samples	67
9.3 Moisture Sensitivity Level and Soldering	67
9.3.1 MSL and device storage.....	67
9.3.2 Soldering	67
9.3.3 Landing pattern	67
9.4 Environmental Safety	68
9.4.1 RoHS	68
9.4.2 Halogen content	68
9.5 Internal Package Structure.....	68
11 Legal disclaimer	69
12 Document history and modification	70

List of figures

Figure 1: BMP585 block diagram.....	16
Figure 2: Power modes diagram.....	17
Figure 3: Step response at different IIR filter settings.....	21
Figure 4: Step response at different IIR filter settings on log scale and different threshold limits in dashed lines (3 dB, 90%, 95%, 99.5%, 100%)	22
Figure 5: INT pin timing in pulsed mode	27
Figure 6: INT pin timing in latched mode	28
Figure 7: SPI timing diagram (SPI4, Mode 0)	31
Figure 8: SPI single-byte write operation	35
Figure 9: SPI burst write operation	35
Figure 10: SPI single-byte read operation	35
Figure 11: SPI multi-byte read operation	36
Figure 12: SPI hybrid write-read burst	36
Figure 13: I ² C single-byte write	37
Figure 14: I ² C multi-byte write.....	38
Figure 15: I ² C multi-byte read protocol with repeated start.....	39
Figure 16: multi-byte read protocol with stop-start.....	40
Figure 17: I ² C multi-byte read from same start address with stop-start.....	40
Figure 18: I3C address setting timing diagram	43
Figure 19: I3C SDR read timing diagram (single byte)	43
Figure 20: I3C SDR read timing diagram (multiple bytes)	43
Figure 21: I3C write timing diagram	44
Figure 22: Pin out bottom and top view	45
Figure 23: SPI 3-wire connection diagram.....	46
Figure 24: SPI 4-wire connection diagram.....	47
Figure 25: I ² C connection diagram.....	47
Figure 26: I3C connection diagram.....	48
Figure 27: SPI/I ² C/I3C Configuration with fast VDD, VDDIO ramp-up times.....	48
Figure 28: BMP585 top view.....	63
Figure 29: BMP585 bottom view	64
Figure 30: BMP585 side view	65

List of tables

Table 1: Pressure Performance	11
Table 2: Temperature Performance.....	12
Table 3: Mechanical characteristics.....	12
Table 4: Electrical characteristics	12
Table 5: Interface pin electrical characteristics	15
Table 6: Absolute maximum ratings.....	15
Table 7: maximum nominal ODR setting per OSR settings in NORMAL mode	18
Table 8: Maximum nominal ODR setting per OSR settings in NORMAL mode for temperature only measurements	18
Table 9: Oversampling settings	20
Table 10: IIR filter settings and bandwidth.....	22
Table 11: FIFO pressure and temperature frame (PT-frame).....	24
Table 12: FIFO temperature frame (T-frame)	24
Table 13: FIFO pressure frame (P-frame)	25
Table 14: FIFO empty frame	25
Table 15: Possible switches between interface modes	30
Table 16: General interface parameters	30
Table 17: SPI timings	31
Table 18: Drive strength in IOH	32
Table 19: Drive strengths for IOL.....	33
Table 20: SPI interface pin usage.....	34
Table 21: I3C provisional identifier.....	41
Table 22: I3C device characteristics register (DCR).....	41
Table 23: I3C bus characteristics registers (BCR).....	41
Table 24: Content of IBI mandatory byte and IBI payload byte	42

Table 25: List of I3C CCCs 42
Table 26: Pin description..... 45
Table 27: Package markings 66
Table 28: Marking of engineering samples 67

1 Basic Description

The BMP585 is an absolute barometric pressure sensor. Its small dimensions, its low power consumption and the high-end performance allow the implementation in a wide range of applications.

Key features:

- Pressure operating range: 30...125 kPa
- Temperature operating range: -40...+85°C
- Ultra-low noise and current consumption:
- Ultra-low noise: < 0.1 PaRMS natively (without low-pass filter enabled)
- 1.3 µA at 1 Hz in low power mode
- Absolute pressure accuracy: ± 30 Pa (typ)
- Relative pressure accuracy: ± 6 Pa (typ) per 10 kPa step
- Pressure Temperature-induced offset: ± 0.5 Pa/K (typ)
- BMP585 provides true absolute pressure and temperature, due to on-chip linearization and temperature-compensation
- Primary digital interface with 12 MHz slave SPI (4-wire, 3-wire), 12.5 MHz I3C and up to 1 MHz I²C (Fm+)
- Output data rates:
 - up to 622 Hz in FORCED mode
 - up to 480 Hz in CONTINUOUS mode
 - 0.125...240 Hz in NORMAL mode
- Wide power supply range: VDD 1.71...3.6 V and VDDIO 1.08...3.6 V, both independent
- Programmable low-pass filter
- On-chip FIFO buffer for up to 32 pressure samples
- Programmable interrupts, including pressure-changed detection
- 6 bytes user programmable non-volatile memory
- Compact 8-pin metal-lid LGA package with a footprint of typ. 3.25 × 3.25 mm² and max. 1.96 mm package height.
- RoHS compliant, halogen and lead free
- Media-robustness
 - No impact on performance and reliability by storage at 15 bar
 - No failure upon exposure to common household chemicals (chlorine bleach, acetic acid, acetone, oleic acid, and insect repellent)
 - Robustness of package to a combination of environmental stress factors (such as heat, moisture and mechanical forces)
 - Proposal for Second Level design available to facilitate customers the system integration procedure

Typical applications:

- Enhancement of GPS navigation (e.g., time-to-first-fix improvement, dead-reckoning, slope detection)
- Indoor navigation (floor detection, elevator detection)
- Outdoor navigation
- Sports applications like calorie counting, fitness activity identification, including water sports
- Emergency caller location
- Weather forecast
- Vertical velocity indication (e.g., rise/sink speed)
- Altitude control of drones and flying toys

Target devices:

- Handsets such as mobile phones, tablet PCs, GPS devices
- Navigation systems
- Portable health care devices
- Home weather stations
- Drones and flying toys
- Smart watches
- Virtual and augmented reality devices

2 Specification

ALL OF THESE VALUES ARE TARGET VALUES.

If not stated otherwise,

- All values are valid over the full voltage range
- Minimum/maximum values are mean ± 3 sigma values for the worst p/T setpoint
- Typical values are the mean ± 1 sigma values at the worst p/T setpoints
- Typical values of currents and state machine timings are determined at 25 °C
- Minimum/maximum values of currents are valid for the temperature range from -40...+85°C
- Minimum/maximum values of timings are valid for the temperature range from -40...+85°C

Environmental conditions like temperature, RF and humidity are constant, unless ranges for these are specified.

Pressure performance is given in Table 1, temperature performance in Table 2. If not stated otherwise:

- Performance parameters are valid for the range 30...110 kPa @ -5...+65 °C
- Performance parameters are valid before soldering after storage in standard conditions according to Table 6.
- Performance parameters are derived without preconditioning according to MSL3.
- Performance parameters are measured in Bosch lab with dedicated pressure chamber and high-accuracy reference equipment
- „Post-solder“ refers to 3x reflow soldering after storage in standard conditions.
- Environmental conditions, under which testing is performed, are divided in several ranges:
 - Core Range: +15...+55°C, 70...110 kPa
 - Extended Range: -5...+65°C, 30...110 kPa
 - Operational Range: -40...+85°C, 30...110 kPa
 - High pressure range: -40...+85°C, 110...125 kPa

Table 1: Pressure Performance

Parameter	Symbol	Comment	Min	Typ	Max	Unit
Pressure measurement range	P		30		+125	kPa
Temperature range	T _A	Pressure measured in the entire temperature operational range	-40		+85	°C
Absolute Pressure accuracy, pre solder, Extended Range	A _{p_abs}	Extended Range, including TCO		±30		Pa
Absolute Pressure accuracy, post solder, Extended Range	A _{p_abs_soldered}	Extended Range, incl. solder drift, TCO		±60		Pa
Absolute accuracy pressure, post solder, Operational Range		Operational Range, incl. solder drift, TCO		±85		Pa
Relative pressure accuracy	A _{p_rel}	Core Range, 10 kPa steps		±6		Pa
Sensitivity error, pre solder	SE	Extended Range		±0.07		%
Sensitivity error, post solder	SE	Extended Range, incl. solder drift		±0.14		%
Offset temperature coefficient, pre solder	TCO	Extended Range, 10 K steps		±0.5		Pa/K
Offset temperature coefficient, post solder, Extended Range	TCO	Extended Range, 10 K steps, incl. solder drift		±0.5		Pa/K
Pressure data resolution	A _{p_res}			1/64		Pa
Pressure noise	V _{p_low_power}	OSR set to „lowest power“ at 100 kPa		0.78	+0.95	PaRMS
Pressure noise	V _{p_hi_res}	OSR set to “high resolution” at 100 kPa		0.21	+0.25	PaRMS
Pressure noise	V _{p_high_res}	OSR set to „highest resolution“ at 100 kPa		0.08		PaRMS
Absolute accuracy pressure – total, post solder, post stress	A _{p_abs_total}	Extended Range, incl. solder drift, TCO and 1 year lifetime ^a		±65		Pa
Absolute pressure accuracy post- stress ^b	A _{p_abs_post_qual}	Extended Range, including TCO		±92		Pa
Relative pressure accuracy post- stress ^c	A _{p_rel_post_qual}	Core Range, 10 kPa steps		±15		Pa
Sensitivity error, post solder post-stress		Extended Range, incl. solder drift		±0.15		%
Offset temperature Coefficient, post stress ^d	TCO _{post_qual}	Extended Range, 10 K steps		±0.8		Pa/K
Long term drift	ΔP _{stab_long}	Extended Range, Drift during 1 year ^e		±15		Pa
Short term drift	ΔP _{stab_short}	Drift during 24 h at constant pressure (100 kPa) and temperature (25°C)		±1.5		Pa
Short term drift	ΔP _{stab_1ht}	Drift during 1 h at constant pressure (100 kPa) and temperature (25°C)		±1.1		Pa

Short term drift	ΔP_{stab_10st}	Drift during 10 s at constant pressure (100 kPa) and temperature (25°C)		± 0.5		Pa
Solder Drift		3x reflow soldering after MSL3		± 35		Pa

- a. determined after 168 h HTOL
- b. after 1000 h HTOL@125°C, 1000 h THB @ 85°C and 85% rel. Humidity, or 850 cycles TC @ -40/+125 °C
- c. after 1000 h HTOL@125°C, 1000 h THB @ 85°C and 85% rel. Humidity, or 850 cycles TC @ -40/+125 °C
- d. after 1000 h HTOL@125°C, 1000 h THB @ 85°C and 85% rel. Humidity, or 850 cycles TC @ -40/+125 °C
- e. derived from 1000 h HTOL divided by 5

Table 2: Temperature Performance

Parameter	Symbol	Comment	Min	Typ	Max	Unit
Temperature measurement range		Temperature measured in the entire temperature operational range	-40		85	°C
Absolute accuracy temperature	A_{t_abs}	Extended Range		± 0.55		°C
Absolute accuracy temperature full range	$A_{t_abs_full}$	Operational Range		± 0.70		°C
Temperature data resolution	A_{t_res}			1/65536		°C

Table 3: Mechanical characteristics

Parameter	Symbol	Comment	Min	Typ	Max	Unit
Package footprint dimensions			3.2 x 3.2	3.25 x 3.25	3.3 x 3.3	mm ²
Package height			1.76	1.86	1.96	mm
Number of pins				8		
Package category		Moisture sensitivity level		MSL3		

Table 4: Electrical characteristics

Parameter	Symbol	Comment	Min	Typ	Max	Unit
Power supply voltage	VDD		1.71	1.8 / 3.3	3.6	V
Power supply voltage I/Os	VDDIO		1.08	1.2 / 1.8 / 3.3	3.6	V
Supply ramp time	$t_{_VDDramp}$ & $t_{_VDDIO ramp}$	10% to 90% of target voltage	0.01 ^a		10	ms
Operational temperature range	TOP_full		-40		85	°C
ODR Accuracy		-40...+85°C	-10		+10	%
Power-up time	$t_{_powup}$	Time to first communication after both VDD > VDD _{min} and VDDIO > VDDIO _{min}			2	ms
Start-up time from SLEEP	$t_{_startup}$	Time from mode change to start of measurement			3	ms
Start-up time from DEEPSLEEP	$t_{_startup_deep}$	Time from mode change to start of measurement			4	ms

Re-configuration time	t_{reconf}	Time from configuration change in NORMAL or CONTINUOUS mode to start of first measurement			3	ms
Re-configuration time	t_{reconf_deep}	Time from configuration change in NORMAL or CONTINUOUS mode to start of first measurement			4	ms
Time to standby	$t_{standby}$	Time from any mode to STANDBY			2.5	ms
Soft reset duration	t_{soft_res}	Time from trigger of soft reset until device ready			2	ms
I ² C interface clock	f_{i2c}	@ VDDIO > 1.62 V - Normal Mode & Fast Mode @ Cbus < 550pF - Fast Mode + @ Cbus < 100pF	100		1000	kHz
I ² C interface clock low voltage	f_{i2c_lowv}	@ VDDIO < 1.62 V - Normal Mode & Fast Mode @ Cbus < 550pF - Fast Mode + @ Cbus > 100pF	100			kHz
I ³ C interface clock	f_{i3c}	@ VDDIO > 1.62 V - Normal Mode & Fast Mode @ Cbus < 550pF - Fast Mode + @ Cbus < 100pF	0.1	12.5	12.9	MHz
I ³ C interface clock low voltage	f_{i3c_lowv}	@ VDDIO < 1.62 V - Normal Mode & Fast Mode @ Cbus < 550pF - Fast Mode + @ Cbus > 100pF	0.1		2.5	MHz
SPI interface clock	f_{spi}	@ VDDIO ≥ 1.62 V, Cbus ≤ 80 pF 4-wire/ 3-wire; modes 0 and 3			12	MHz
SPI interface clock low voltage	f_{spi_lowv}	@ VDDIO < 1.62 V, Cbus ≤ 40 pF 4-wire/ 3-wire; modes 0 and 3			7	MHz
Peak current	i_{peak}	maximum DC current			260	μA
Deep Standby current		25°C and VDDIO=VDD=1.8 V	0.4	0.55	0.7	μA
Deep Standby current		25°C and VDDIO=VDD=3.6 V		0.55	0.7	μA
Deep Standby current		55°C and VDDIO=VDD=1.8 V		1.5	3.5	μA
Standby current		25°C and VDDIO=VDD=1.8 V	0.5	1.0	1.5	μA
Standby current		55°C and VDDIO=VDD=1.8 V		3.5	5.0	μA
Current consumption low power mode		OSR set to „lowest power“ Low Power Mode ODR=1 Hz 25°C		1.3	1.4	μA
Current consumption high resolution		OSR set to „highest resolution“ ODR = 30 Hz 25°C		75	80	μA
Current consumption high resolution		OSR set to „highest resolution“ ODR = 30 Hz 55°C				μA
INT pulse length	t_{int_pulse}	Pulse length in pulsed mode	90	105	121	μs
INT minimum deassert time	$t_{int_deassert}$	Minimum time between INT pin assert	90	105	121	μs
Maximum output rate (ODR)		in CONTINUOUS mode, pressure and temperature measured		489		Hz

Output data rate (ODR) range		in NORMAL mode	0.125		240	Hz
Conversion time pressure	t _{conv_p}	OSR = 1x	-5%	1.0	+5%	ms
		OSR = 2x	-5%	1.7	+5%	ms
		OSR = 4x	-5%	2.9	+5%	ms
		OSR = 8x	-5%	5.4	+5%	ms
		OSR = 16x	-5%	10.4	+5%	ms
		OSR = 32x	-5%	20.4	+5%	ms
		OSR = 64x	-5%	40.4	+5%	ms
		OSR = 128x	-5%	80.4	+5%	ms
Conversion time temperature	t _{conv_t}	OSR = 1x	-5%	1.0	+5%	ms
		OSR = 2x	-5%	1.1	+5%	ms
		OSR = 4x	-5%	1.5	+5%	ms
		OSR = 8x	-5%	2.1	+5%	ms
		OSR = 16x	-5%	3.3	+5%	ms
		OSR = 32x	-5%	5.8	+5%	ms
		OSR = 64x	-5%	10.8	+5%	ms
		OSR = 128x	-5%	20.8	+5%	ms
NVM user write cycles ^b	N _{NVM_WRITE}	Number of write cycles to NVM user range			10,000	writes

a. For supply ramps < 0.01 ms, a 10 Ohm resistor must be connected in series to the power supply (see 6.2.5).

b. power supply must be stable during the write sequency. Temperature must be in the range of 0...+65 °C.

Table 5: Interface pin electrical characteristics

Parameter	Symbol	Comment	Min	Typ	Max	Unit
Input low voltage	V_{IL}	@VDDIO=1.2V/ 1.8V/3.3V+/-10%			30	%
Input high voltage	V_{IH}	@VDDIO=1.2V/ 1.8V/3.3V+/-10%	70			%
Input voltage hysteresis	V_{IHYST}	@VDDIO=1.2V/ 1.8V/3.3V+/-10%	10			%
Output low voltage	V_{OL}	@VDDIO=1.2V/ 1.8V/3.3V+/-10%			20	%
Output high voltage	V_{OH}	@VDDIO=1.2V/ 1.8V/3.3V+/-10%	80			%
Pull-up resistance at CSB pin	R_{PU_CSB}	I2C mode, relevant for interface mode selection	74	100	131	kOhm

Table 6: Absolute maximum ratings

Parameter	Symbol	Comment	Min	Max	Unit
Storage temperature ^a		≤ 65 % r.h.	-40	+125	°C
Supply voltage VDD			-0.3	4.3	V
Supply voltage VDDIO			-0.3	4.3	V
Max Voltage at I/O Pins			VSSIO-0.3 V	VDDIO + 0.3 V	V

a. Storage should occur at standard conditions (+ 25°C and 40% r.h.). For short time periods, the device may be stored outside of this range, but must stay within above mentioned limits.

3 Quick start guide

This section describes quickly the steps to get the sensor running with an example configuration.

3.1 SensorAPI and COINES

An Application Programming Interface (API) called SensorAPI is available for BMP585. It is available as C sourcecode. The API provides higher-level functions, for example to switch powermodes, or read and write the NVM. It is an abstraction layer, so that the user does not have to issue individual read and write transactions to sensor registers. The API still allows direct low-level register access to the sensor. The Sensor API also provides some basic examples of its usage.

The SensorAPI is fully compatible with the COINES library, which provides the low-level functions for the sensorAPI. It is included in the COINES software package. More information can be found on <https://www.bosch-sensortec.com/>.

4 Functional Description and Features

The BMP585 is a barometric pressure sensor that outputs to the host the absolute pressure in Pa. In addition, the absolute temperature in °C can be provided to the host.

4.1 Block diagram

BMP585's key components are a pressure sensitive MEMS sensor element and an integrated circuit that drives and reads out the sensor element. Also, it provides data and other functions to the host. The block diagram is shown in Figure 1.

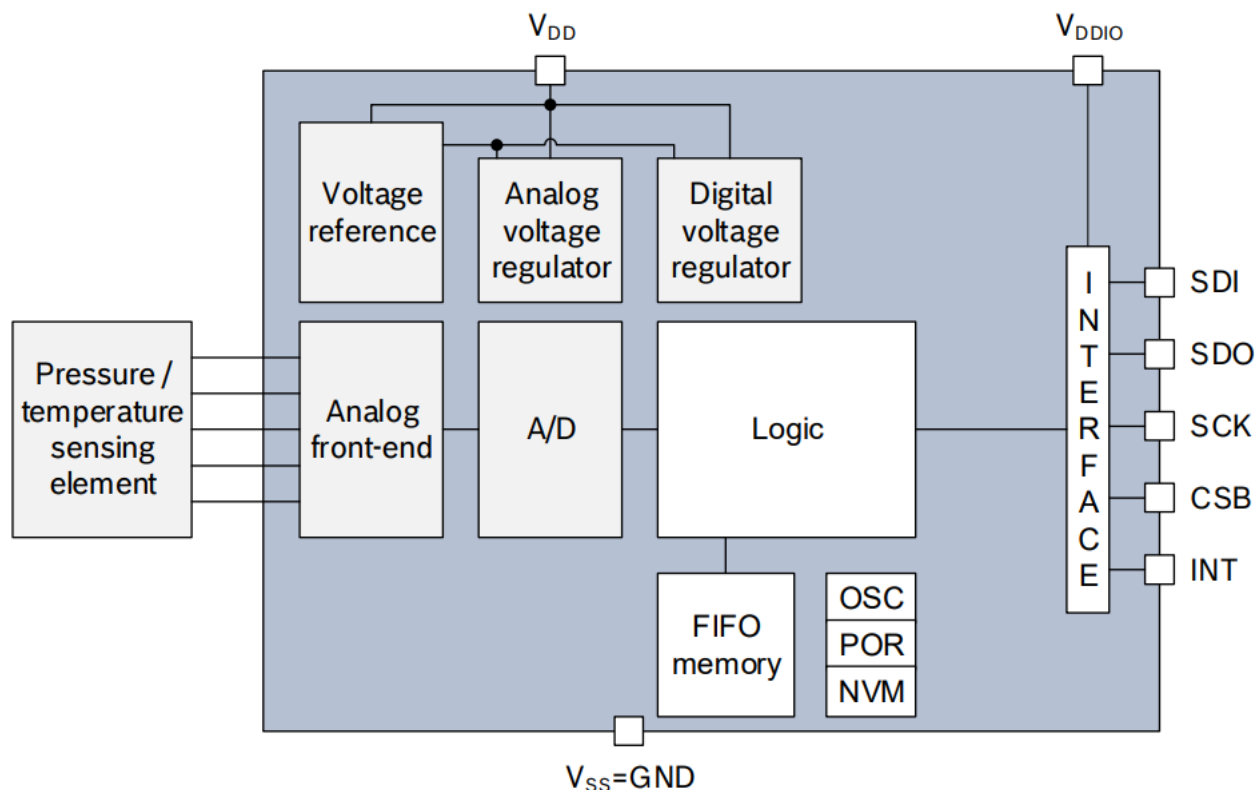


Figure 1: BMP585 block diagram

4.2 Power management

The BMP585 has two separate power supply pins:

- VDD is the main power supply for all internal analog and digital regulator blocks
- VDDIO is a separate power supply pin, used for the supply of the digital interface

VDD and VDDIO pins can be energized in any order. A power-on reset generator is built in which resets the logic circuitry and the register values after the power-on sequence. The slope for ramp up time must be within the limits given by $t_{VDDramp}$ and $t_{VDDIORamp}$. After powering up, the sensor settles in sleep mode (see also section 4.3.9 Post-power-up procedure).

Holding any interface pin (SDI, SDO, SCK or CSB) at a logical high level when VDDIO is switched off can permanently damage the device due caused by excessive current flow through the ESD protection diodes.

4.3 Power modes

The power modes of BMP585 and transitions in between are depicted in Figure 2. After startup or soft-reset, the BMP585 will be in DEEP STANDBY mode. Transitions from one mode to another are only possible by entering SLEEP mode first.

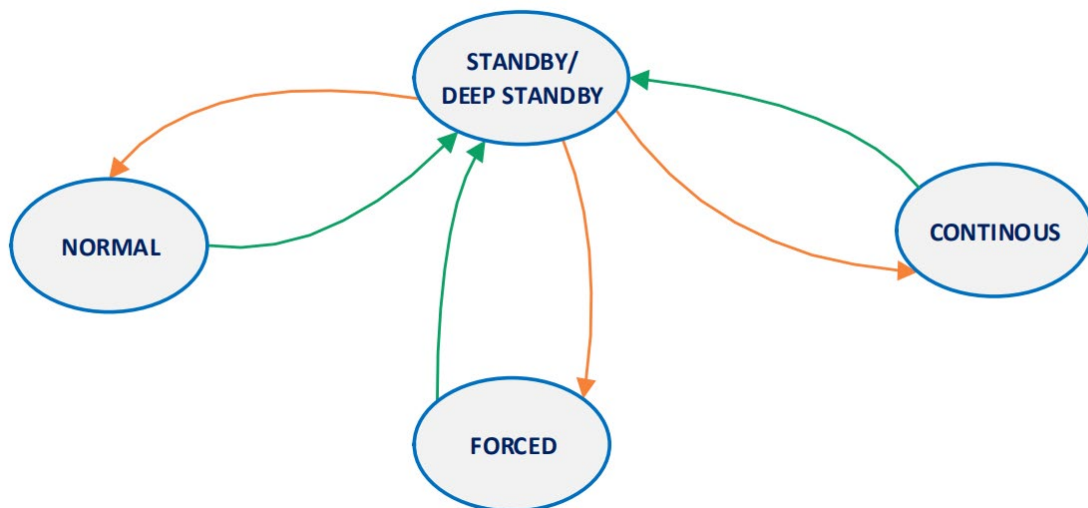


Figure 2: Power modes diagram

4.3.1 STANDBY mode

In STANDBY mode, no measurements are performed and power consumption is at a minimum. All registers are accessible for write and read. Mode transitions to other modes are possible. The pressure and temperature data registers `PRESS_DATA_XXX` and `TEMP_DATA_XXX` keep the values of the last measurement executed. The FIFO, if enabled, also maintains its content and can be read.

4.3.2 DEEP STANDBY

In order to further reduce the power consumption further, the BMP585 offers a DEEP_STANDBY mode. In this case, power consumption is even lower than in STANDBY mode.

DEEP_STANDBY will only be entered if also the following conditions apply:

- `ODR_CONFIG.deep_dis = 0`
- `ODR_CONFIG.odr < 5Hz`
- `FIFO_SEL.fifo_frame_sel = DIS`
- `DSP_IIR.set_iir_t = BYPASS`
- `DSP_IIR.set_iir_p = BYPASS`

If one of these settings is changed, the BMP585 transitions to STANDBY mode.

4.3.3 FORCED mode

In FORCED mode, a single measurement is performed according to selected measurement and filter options. When the measurement is finished, the sensor returns to sleep mode and the measurement results can be obtained from the data registers. For a next measurement, forced mode needs to be selected again. Forced mode is recommended for applications which require very low sampling rate or host-based synchronization. Forced mode may also be used if an ODR higher than 240 Hz is needed.

4.3.4 NORMAL mode

Normal mode performs pressure measurements with a configurable frequency, which is the output data rate (ODR). The ODR can be set in ODR_CONFIG.odr. Normal mode continuously cycles between an (active) measurement period and an (inactive) standby period. In normal mode, the most recent measurement result can be directly obtained from the data registers. Alternatively, the latest measurement results can be obtained from the FIFO.

Normal mode is recommended if pressure needs to be sampled in regular intervals, but none of the conditions apply where FORCED and CONTINOUS mode may be favorable.

The ODR_CONFIG.odr register field is used to define the output data rate (ODR) if the BMP585. Data rates between 0.125 and 240 Hz can be selected. For the full list of available ODRs, see the register description. Not all combinations of OSR and ODRs are valid, as measurement times may not fit into an ODR cycle. Table 7 shows the maximum ODR for a given ODR setting.

Table 7: maximum nominal ODR setting per OSR settings in NORMAL mode

max ODR [Hz]		OSR_T							
		1	2	4	8	16	32	64	128
OSR_P	1	240.00	240.00	240.00	240.00	200.00	130.00	80.00	40.00
	2	240.00	240.00	240.00	220.00	180.00	120.00	70.00	40.00
	4	220.00	220.00	200.00	180.00	140.00	100.00	70.00	40.00
	8	140.00	140.00	130.00	120.00	100.00	80.00	50.00	35.00
	16	80.00	80.00	80.00	70.00	70.00	50.00	45.00	30.00
	32	45.00	45.00	40.00	40.00	40.00	35.00	30.00	20.00
	64	20.00	20.00	20.00	20.00	20.00	20.00	15.00	15.00
	128	10.00	10.00	10.00	10.00	10.00	10.00	10.00	5.00

Table 8: Maximum nominal ODR setting per OSR settings in NORMAL mode for temperature only measurements

max ODR [Hz]		OSR_T							
		1	2	4	8	16	32	64	128
		240.00	240.00	240.00	240.00	200.00	130.00	80.00	40.00

Configuration Check. BMP585 has an automatic configuration checking, which is functional in NORMAL mode and when both temperature and pressure measurements are enabled. If a configuration is not valid, this will be indicated by the OSR_EFF.odr_is_valid register field. If a measurement with an invalid setting is started, the BMP585 will run with the specified ODR, but use a default setting for the ODRs:

- For ODRs ≥ 160Hz, both OSRs will be set to 1
- For all ODRs <160Hz, both OSRs will be set to 2
- The effective ODRs are available in the register fields OSR_EFF.osr_t_eff and OSR_EFF.osr_p_eff. This action of alignment and check is done in NORMAL mode only.

4.3.5 Low Power NORMAL mode

If the conditions for deep standby apply, as described in section 4.3.1 above, then NORMAL mode will automatically apply DEEP_STANDY phase in between the measurements. This reduces power consumption even further. If one of these settings is changed, the BMP585 transitions back to NORMAL mode.

4.3.6 CONTINUOUS mode

Continuous mode performs pressure measurements similar to NORMAL mode. However, the ODR setting is ignored. Sampling is performed with the maximum frequency that is possible with the selected oversampling settings. CONTINUOUS mode stays in the (active) measurement period and does not cycle to a standby period. The resulting ODR is not necessarily a value that is selectable via the ODR register. The resulting ODRs for the recommended OSR settings are shown in Table 9.

4.3.7 Mode transitions

To go in STANDBY status the user must write `ODR_CONFIG.pwr_mode = 0b00`. The maximum transition time to STANDBY is $t_{standby}$. The effective status of the device is always observable reading back the same register. After a commanded switch to standby, the user either needs to wait for $t_{standby}$ or check the status register for a successful switch, before he can command the device to go to another mode, and before writing to any of the registers named in section 4.3.8 Mode-depending register write restrictions.

From STANDBY, it can be switched to CONTINUOUS, FORCED or NORMAL mode by writing `ODR_CONFIG.pwr_mode` register. Directly after the transition to an active mode, the first measurement will be performed. It is recommended to set the desired measurement configuration, before switching the mode.

4.3.8 Mode-depending register write restrictions

A number of registers and register fields can only be updated when the device is in STANDBY mode. These are for example the registers for NVM operations (see section 4.8 NVM Programmability), but also configuration registers for the FIFO and IIR configuration. The register descriptions state if this limitation applies to a register field. Write operations to these registers in a mode other than STANDBY are lost. It is generally recommended to write configurations before switching into the measurement mode.

4.3.9 Post-power-up procedure

After power up of the BMP585, it is available after $t_{powerup}$. The host should not initiate any communication with the BMP585 before. Depending on the interface configuration, a dummy read should be the first access to the device (see section 5.1 Protocol Selection).

It is recommended that the host checks the following status registers after a power-up:

- read out the `CHIP_ID` register and check that it is not all 0
- read out the `STATUS` register and check that `status_nvm_rdy==1`, `status_nvm_err == 0`
- read out the `INT_STATUS.por` register field and check that it is set to 1; that means `INT_STATUS==0x10`

4.3.10 Soft reset

BMP585 can be reset by writing `0xB6` to the `CMD` register. The BMP585 will come out of the reset after t_{soft_res} . Softreset must not be triggered during a NVM user programming sequence.

4.4 Measurements

4.4.1 Pressure and temperature measurement enable

The BMP585 can either measure temperature only, or both temperature and pressure. Pressure-only measurement is not supported, as temperature data is needed for the temperature compensation of the pressure data.¹

Pressure and temperature will be measured if any of these conditions is true:

- `OSR_CONFIG.press_en == 1`, or
- `FIFO_SEL.fifo_frame_sel == 0b10`, or
- `FIFO_SEL.fifo_frame_sel == 0b11`

If none of these settings is made, the sensor will measure temperature only.

4.4.2 Pressure and temperature oversampling ratio (OSR)

Oversampling extends the measurement time per measurement by the oversampling factor. Higher oversampling factors offer decreased noise at the cost of higher power consumption.

Oversampling can be set individually for pressure and temperature in register fields `OSR_CONFIG.osr_p` and `OSR_CONFIG.osr_t`. The duration of the sampling phase is given by t_{conv_p} and t_{conv_t} . Table 7 shows the maximum ODR for each oversampling setting. Recommended settings are shown in Table 9.

Table 9: Oversampling settings

Oversampling setting	<i>osr_p</i>	Pressure oversampling	Temperature oversampling	Typical pressure RMS noise at 100 kPa	Typical ODR in CONTINUOUS mode
Lowest power	000	×1	×1	0.78 Pa	498 Hz
	001	×2	×1	0.58 Pa	374 Hz
Standard resolution	010	×4	×1	0.41 Pa	255 Hz
	011	×8	×1	0.30 Pa	155 Hz
High resolution	100	×16	×1	0.21 Pa	87 Hz
	101	×32	×2	0.15 Pa	46 Hz
	110	×64	×4	0.11 Pa	24 Hz
Highest resolution	111	×128	×8	0.08 Pa	12 Hz

Note: The noise values refer to the sensor-intrinsic noise. Already at standard resolution, the noise or fluctuations of the air pressure itself may be higher than the noise of the sensor, and thus be dominant. This ambient noise is typically stronger at lower frequencies. Any increase of the ODR does not reduce this type of noise, because this frequency range is of interest for many applications and thus is not attenuated by the sensor. If low frequency noise is a problem in a use case, it is recommended to employ low pass filtering, for example by using the build-in IIR-filter.

4.4.3 Configuration changes in NORMAL and CONTINUOUS mode

If any of these changes is applied during NORMAL and CONTINUOUS mode:

- `OSR_CONFIG.press_en`
- `OSR_CONFIG.osr_t`
- `OSR_CONFIG.osr_p`
- `ODR_CONFIG.odr` (NORMAL mode only)

Measurements will restart with the new settings after t_{reconf} . If DEEP_SLEEP is enabled in NORMAL mode, it will start after t_{reconf_deep} .

¹ However, the sensor can be configured to output the pressure only data to the FIFO, see section 4.6.1 FIFO Configuration.

4.4.4 IIR filter

The BMP585 has a dedicated IIR filter built-in, that can be used to reduce noise caused by ambient disturbances. This may for example be the opening of doors or windows, or wind blowing into the sensor. To suppress these disturbances in the output data, the IIR filter can be enabled.

Please note that IIR filtering, like all low pass filtering, also reduces the bandwidth of the signal.

The filter function is defined with the following equation:

$$data_n = \frac{data_{n-1} \times filtercoefficient + data_{in}}{filtercoefficient + 1}$$

where $data_{n-1}$ is the filtered data from the previous acquisition and $data_{in}$ is the unfiltered data from the current acquisition.

The step response of different filter settings is displayed in Figure 3 and Figure 4. Table 10 shows the available filter coefficient settings and the according normalized bandwidth (which corresponds to the 3 dB cut-off frequency). The resulting bandwidth in Hz can be computed using the following equation:

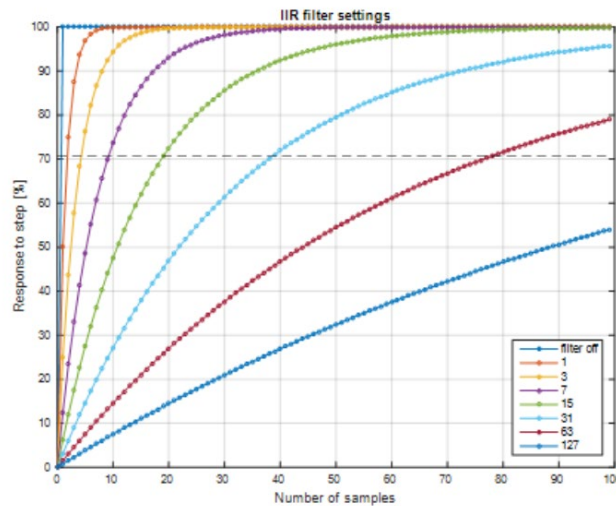


Figure 3: Step response at different IIR filter settings

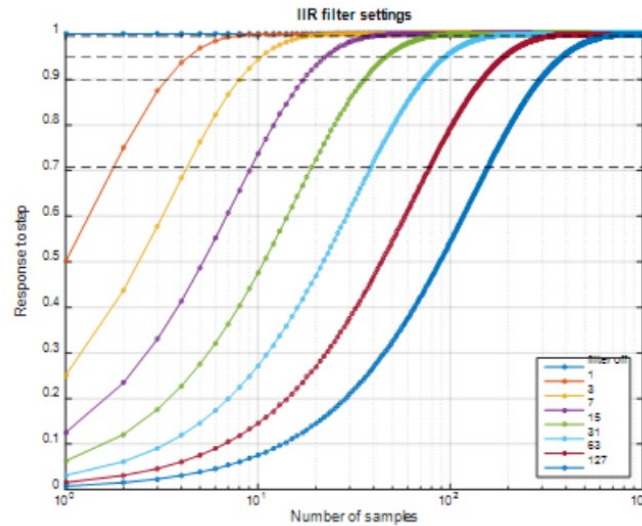


Figure 4: Step response at different IIR filter settings on log scale and different threshold limits in dashed lines (3 dB, 90%, 95%, 99.5%, 100%)

Table 10: IIR filter settings and bandwidth

Register value	Filter coefficient	Normalized bandwidth (-3db cutoff frequency)
0x0	0	Bypass
0x1	1	0.1147
0x2	3	0.0459
0x3	7	0.0212
0x4	15	0.01025
0x5	31	0.005041
0x6	63	0.00250
0x7	127	0.00125

The IIR filter can be independently programmed for temperature and pressure with the fields DSP_IIR.set_iir_t and DSP_IIR.set_iir_p. The value “0x0” is used to bypass the filter. The IIR filter is reset when a transition from sleep mode to NORMAL or CONTINUOUS mode occurs. That means that the first measurement value will be the initial content of the filter. A manual reset of the filter, e.g. when using forced mode, can be triggered by asserting the register field DSP_CONFIG.iir_flush_forced_en.

The IIR-filtered data is used depending on the settings in the DSP_CONFIG register:

- shdw_sel_iir_t: select source for temperature data register
- fifo_sel_iir_t: select source for temperature FIFO
- shdw_sel_iir_p: select source for pressure data register
- fifo_sel_iir_p: select source for pressure FIFO
- oor_sel_iir_p: select source for pressure out-of-range interrupt

4.5 Data registers

Data from the most recent measurement is present in data registers. The `DSP_CONFIG.swdw_sel_iir_t` and `DSP_CONFIG.swdw_sel_iir_t` select if IIR-filtered data or unfiltered data is presented in the data registers.

Temperature data is contained in the registers `TEMP_DATA_MSB`, `TEMP_DATA_LSB`, `TEMP_DATA_XLSB`. The registers shall be interpreted in the following way:

$$T [^{\circ}\text{C}] = \left(\frac{\text{TEMP_DATA_MSB,TEMP_DATA_LSB,TEMP_DATA_XLSB}}{2^{16}} \right)$$

Pressure data is contained in the registers `PRESS_DATA_MSB`, `PRESS_DATA_LSB`, `PRESS_DATA_XLSB`. The registers shall be interpreted in the following way:

$$p [\text{Pa}] = \left(\frac{\text{PRESS_DATA_MSB,PRESS_DATA_LSB,PRESS_DATA_XLSB}}{2^6} \right)$$

In both equations, the divisions can be implemented by a simple and efficient bit-wise right shift operation. To read out data after a conversion, it is strongly recommended to use a burst read and not address every register individually.

4.5.1 Data Shadowing

In normal mode, measurement timing is not necessarily synchronized to readout. This means that new measurement results may become available while the user is reading the results from the previous measurement. In this case, shadowing is performed in order to guarantee data consistency. Shadowing will only work if all data registers are read in a single burst read. Therefore, the user must use burst reads if he does not synchronize data readout with the measurement cycle. Using several independent read commands may result in inconsistent data.

If a new measurement is finished and the data registers are still being read, the new measurement results are transferred into shadow data registers. The content of shadow registers is transferred into data registers as soon as the user ends the burst read, even if not all data registers were read. Reading across several data registers can therefore only be guaranteed to be consistent within one measurement cycle if a single burst read command is used. After the end of the burst read, all user data registers are updated at once with the shadowed data.

4.6 FIFO

The BMP585 contains a first-in first-out (FIFO) data buffer. Pressure and temperature data is stored in the FIFO in frames. Each frame contains the data from one measurement. The maximum number of frames depends on which data is stored in the FIFO:

- 16 frames if both pressure and temperature are stored
- 32 frames if only pressure or temperature is stored

4.6.1 FIFO Configuration

The **FIFO frame type** is selected by `FIFO_SEL.fifo_frame_sel`:

- 0b00: FIFO not enabled
- 0b01: Only Temperature data is stored (T-mode)
- 0b10: Only Pressure data is stored (P-mode)
- 0b11: Pressure and temperature data is stored (PT-mode)

The **operational mode** can be controlled via the `FIFO_CONFIG.cfg_fifo_mode` register:

- 1'b0: streaming mode
- 1'b1: stop on full mode

The two modes differ in how the FIFO reacts to an overflow. A FIFO overflow occurs if the FIFO is full and a new measurement data is ready to be written to the FIFO. In streaming mode, the FIFO will delete the oldest frame, and write the new frame to the FIFO. As a result, the FIFO contains always the most recent frames.²

In stop-on-full mode, frames once written to the FIFO will not be discarded. Instead, new frames will not be written to the FIFO until there is space again.

The FIFO decimation factor (or downsampling) can be adjusted With `FIFO_SEL.cfg_fifo_dec_sel`. Only every n-th sample will be written to the FIFO, where:

$$n = 2^{FIFO_SEL.cfg_fifo_dec_sel}$$

The FIFO threshold can be set by `FIFO_CONFIG_fifo_threshold`. If the fill level of the FIFO reaches the threshold, the FIFO threshold interrupt may be triggered (see section 4.7.2.1). The meaning of the register field is the following:

- 0x00: FIFO threshold disabled
- 0x01..0x1F (or 1..31 decimal): threshold level
- 0x0F: 15 frames. This is the maximum setting in PT-mode. The most significant bit is ignored.
- 0x1F: 31 frames. This is the maximum setting in P- or T-mode.

4.6.2 FIFO status

The fill level of the FIFO in number of frames can be obtained from `FIFO_COUNT.fifo_count`. FIFO watermark and FIFO full information can be obtained from the interrupt functionality (see section 4.7.2.1).

4.6.3 FIFO data readout

The FIFO can be read out by reading in a burst from register `FIFO_DATA`.

Reads should be performed in the granularity of the frame size (24 or 48 bit) according to the selected frame type. Frames that have been read incompletely will stay in the FIFO memory and will be retransmitted on the next read. The entire FIFO contents can be read in one single burst.

If the FIFO is empty, disabled or turns empty during a read, it will return the empty frame, which is 0x7f.

Table 11, Table 12 and

Table 13 show the frame formats for the three different frame kinds: PT, T and P. The empty frame is shown in Table 14.

Table 11: FIFO pressure and temperature frame (PT-frame)

	7	6	5	4	3	2	1	0
Temperature	temperature XLSB							
	temperature LSB							
	temperature MSB							
Pressure	pressure XLSB							
	press LSB							
	press MSB							

Table 12: FIFO temperature frame (T-frame)

	7	6	5	4	3	2	1	0
Temperature	temperature XLSB							
	temperature LSB							
	temperature MSB							

² In order to work properly, streaming mode requires that the clock frequency of host interface is 0.1 MHz or above. Otherwise, the FIFO readout bandwidth could be slower than the FIFO write bandwidth, which will cause data loss.

Table 13: FIFO pressure frame (P-frame)

	7	6	5	4	3	2	1	0
Pressure	pressure XLSB							
	press LSB							
	press MSB							

Table 14: FIFO empty frame

	7	6	5	4	3	2	1	0
Empty	0x7F							

4.6.4 FIFO configuration changes

The FIFO is flushed on any of the following conditions:

- a change in the sensor configuration:
 - OSR_CONFIG.osr_t
 - OSR_CONFIG.osr_p
 - ODR_CONFIG.odr
 - ODR_CONFIG.pwr_mode
- a change in the frame configuration:
 - FIFO_SEL.fifo_frame_sel
 - FIFO_SEL.cfg_fifo_dec_sel

The flush will empty the FIFO, reset the FIFO_COUNT register, and clear the interrupt conditions.

The completion of the FIFO flush is finished within t_{reconf} , or t_{reconf_deep} if the device is in deep sleep. The FIFO_COUNT should not be read before the flush has been finished, as the result may be inconsistent.

If the register FIFO_CONFIG_fifo_threshold is written, the resulting interrupt status bits will be immediately updated according to the new threshold.

The register FIFO_SEL must only be changed in STANDBY mode.

4.7 Interrupts

The BMP585 provides an interrupt pin (INT), which allows to signal certain events to the host processor. Different events can be mapped to the interrupt pin, which all are processed with a logical OR.

BMP585 also supports I3C's in-band interrupt (IBI). This allows the use of interrupt functionality without the need of a dedicated INT signal line. For documentation of the I3C IBI functionality, see section 5.7.2 "I3C In-band Interrupts".

The available interrupts are listed below, and will be detailed in following subsections:

- FIFO watermark interrupt
- FIFO full interrupt
- Data ready interrupt
- Pressure out-of-range interrupt
- Power-on reset (POR) interrupt

4.7.1 Interrupt enabling

The individual interrupts sources can be enabled in the INT_SOURCE register. An exception is the POR interrupt, which is always enabled. With enabled interrupt sources:

- their individual status is available from the INT_STATUS register,
- I3C in-band interrupts can be used (see section 5.7.2 "I3C In-band Interrupts"), and the interrupt pin can be used, see section 4.7.3.

4.7.2 Interrupt sources

4.7.2.1 FIFO interrupts

The FIFO provides two sources of interrupts:

- FIFO full: The fill level is at the maximum number of frames. This means 16 PT frames or 32 P or T frames, depending on the configuration of the FIFO.
- FIFO threshold reached: The fill level is at or above the FIFO threshold level (see section 4.6.1).

Both interrupts will be asserted at the end of a measurement (when data is ready), when the respective condition is fulfilled. They will stay asserted as long as the corresponding condition is active. A read of the INT_STATUS register will not change the FIFO interrupts. FIFO interrupts can only occur if the FIFO is enabled.

If a burst read from the FIFO causes the fill level to drop below the fill level that causes an interrupt, the interrupt will be de-asserted at the end of the burst read.

The FIFO interrupts can be enabled by setting INT_SOURCE.fifo_full_en and INT_SOURCE.fifo_ths_en.

4.7.2.2 Data ready interrupt

The data ready interrupt and status register INT_STATUS.drdy_data_reg is asserted when new pressure and/or temperature is available in the data registers (see section 4.5 "Data registers"). Also, the new measurement data is available in the FIFO after the data ready interrupt.

The interrupt can be enabled by setting INT_SOURCE.drdy_data_reg_en.

4.7.2.3 Out-of-range interrupt

The out-of-range (OOR) interrupt is triggered when the pressure value is outside a defined range for a defined number of samples.

The benefit of this interrupt is that the host system does not need to read the sensor data continuously to detect if there is a significant change of the measured pressure. Instead, the host can configure the interrupt, and read sensor data only if the interrupt is triggered.

For the OOR interrupt, the BMP585 checks if the pressure value is within a window around a reference pressure. The reference pressure can be defined in [Pa] with a width of 17 bit, which covers the complete measurement range of the sensor. The reference values can be written by accessing the register fields OOR_CONFIG.oor_thr_p_16, OOR_THR_P_MSB.oor_thr_p_15_8 and OOR_THR_P_LSB.oor_thr_p_7_0.

The range is also given in [Pa] and can be defined via the register OOR_RANGE.oor_range_p. As the register has a width of 8 bit, the range can span up to +/- 255 Pa around the reference value.

The OOR is out of range if observed pressure P_{Pa} is:

$$P_{Pa} > reference + window$$

or

$$P_{Pa} < reference - window$$

If one of these conditions is satisfied for the number of samples defined by OOR_CONFIG.cnt_lim, the interrupt will be triggered.

If subsequent measurements are still out of range, the interrupt will be re-triggered after each of those measurements.

Example. Assumed the user wants to get an interrupt if the pressure is outside the range of 97100 Pa - 97200 Pa. In this case, the reference should be set to the middle value 97150 Pa, which is 0x17B7E. The window value is half of the range, which is 50 Pa, or 0x32. This means that the registers need to be set to the following values:

- OOR_CONFIG.oor_thr_p_16 = 0x1
- OOR_THR_P_MSB.oor_thr_p_15_8 = 0x7B
- OOR_THR_P_LSB.oor_thr_p_7_0 = 0x7E
- OOR_RANGE.oor_range_p = 0x32

4.7.2.4 Power-on reset interrupt

The power-on rest (POR) interrupt is triggered each time the BMP585 comes out of a power-up reset. This can happen if the supply to the device is ramped up, or if the supply was so instable that the BMP585 performed a brown-out with subsequent power-up reset. The POR interrupt signals that the BMP585 is ready to use.

POR interrupts are not supported with I3C IBI, as the device is not in a state where I3C is initialized after power-up reset. Also, the interrupt pin will not flag a POR interrupt, as the interrupt pin is disabled after power-up.

The status of the interrupt can be read from `INT_STATUS.por`. A read of the `INT_STATUS` will clear the status.

4.7.3 Interrupt pin

The BMP585 provides an interrupt pin (INT), which allows to signal certain events to the host processor.

4.7.3.1 Interrupt pin configuration

The behavior of the interrupt pin can be configured in `INT_CONFIG` with these fields:

- `int_mode`: The interrupt mode can be „pulsed“ or „latched“. Latching determines when an interrupt is released (see section 4.7.3.2 for details)
- `int_pol`: The interrupt polarity can be configured to be either „active high“ or „active low“
- `int_od`: The interrupt pin can be configured to be „open-drain“ or push-pull“
- `int_en`: The interrupt pin can be enabled. With enabled interrupt pin, all interrupt sources configured in `INT_SOURCE` will be OR'ed on the interrupt pin.

4.7.3.2 Interrupt Timings

Interrupt timings depend strongly on the `int_mode` setting:

Pulsed mode. In the pulsed mode the INT pin creates a pulse on the interrupt pin, each time an interrupt condition changes from FALSE to TRUE, and the interrupt source is enabled in `INT_SOURCE`.

Figure 5 shows the timing of pulsed mode.

The pulse length is $t_{\text{int_pulse}}$. Between two pulses, there is a minimum gap of $t_{\text{int_deassert}}$ in which the pin will stay de-asserted.

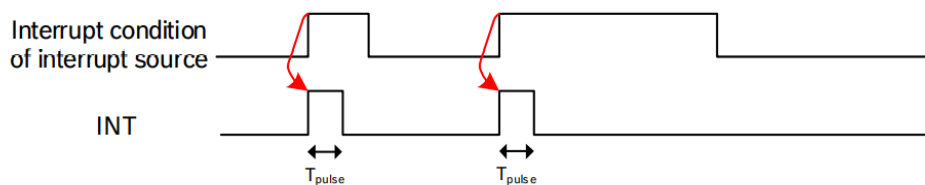


Figure 5: INT pin timing in pulsed mode

Latched Mode. In latched mode, the INT pin is asserted as long as an interrupt condition is TRUE, and the interrupt source is enabled in `INT_SOURCE`. Between two adjacent assertions of the INT pin, there is a minimum gap of $t_{\text{int_deassert}}$. Figure 6 shows the timing of latched mode.

The de-assertion of the INT pin in latched mode depends on the following way:

- FIFO interrupts will be de-asserted when the interrupt condition does not apply any more. There is no dependency on the setting of `INT_STATUS`.

- The data ready interrupt will be de-asserted after reading the INT_STATUS.
- The pressure out-of-range interrupt will be de-asserted after reading the INT_STATUS. If the data ready interrupt is asserted, a new measurement data becomes available, the INT pin will stay asserted. There is no de-assertion phase.

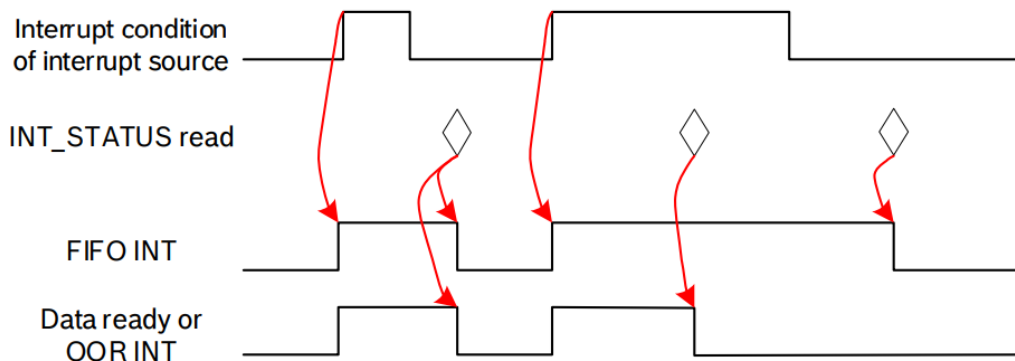


Figure 6: INT pin timing in latched mode

Exceptions. In the following cases, the minimal pulse length and minimal gap between pulses may be violated:

- If the FIFO gets disabled or is flushed (see section 4.6.4 "FIFO configuration changes" for a description of the conditions that cause a FIFO flush), an asserted FIFO interrupt will be de-asserted immediately and the corresponding bits in INT_STATUS will be cleared. This may cause a violation of $t_{\text{int_pulse}}$ or $t_{\text{int_deassert}}$.
- If the conditions apply that would cause a FIFO flush, the behavior of an asserted out-of-range interrupt is the same as for the FIFO interrupt described above: the asserted interrupt will be de-asserted immediately and the corresponding bits in INT_STATUS will be cleared. This may cause a violation of $t_{\text{int_pulse}}$ or $t_{\text{int_deassert}}$.
- If the host reconfigures the FIFO threshold while INT is asserted, INT will get de-asserted immediately and the INT_STATUS.fifo_ths will get cleared. This may cause a violation of $t_{\text{int_pulse}}$. If the new FIFO threshold condition still holds true, INT will reassert after $t_{\text{int_deassert}}$.
- If data ready and FIFO interrupts are used together, $t_{\text{int_deassert}}$ may be violated.
- $t_{\text{int_deassert}}$ can be violated if FIFO interrupts are enabled at the same time with the data ready or the out-of-range interrupt. There is no violations when data ready and out-of-range interrupts are enabled at the same time.

Latched/pulsed mode switch. Any change between latched/pulsed mode has to be applied while interrupt is disabled. The following operations must be executed:

- Turn off all INT sources (INT_SOURCE -> 0x00)
- Read the INT_STATUS register to clear the status
- Set the desired mode in INT_CONFIG.int_mode

INT_STATUS. Independently of the int_mode setting, the interrupt status bit in INT_STATUS will not be cleared automatically. The FIFO status will be cleared only when the interrupt condition does not apply any more and the INT_STATUS register has been read. The data ready and the out-of-range status will be cleared when the INT_STATUS register has been read.

FIFO threshold interrupt during FIFO read. Interrupt generation is not blocked during an ongoing FIFO read. If the fill level drops below the threshold during a FIFO read, and reaches the threshold again (due to a new sample being written to the FIFO), the interrupt will be asserted. If such behavior is not wanted, it can be avoided by any of the following strategies:

- Use non-latched interrupts and ignore the interrupt during read.
- Read-out the FIFO fast enough that the fill level is 2 frames below the watermark level before the next sample is taken (which occurs $\sim 1/\text{ODR}$ seconds after the interrupt assertion).

4.8 NVM Programmability

The BMP585 contains a non-volatile memory (NVM) that contains trimming and configuration parameters that are used internally by the sensor. In addition, there is a user range.

4.8.1 NVM User Range

The host can write and read the memory of the user range. The range is located at addresses 0x20-0x22. Each address holds 2 bytes. This memory area may be used for an end-of-line trim at OEM or ODM sites. The maximum number of writes during the lifetime of BMP585 is specified by `NNVM_WRITE`. During the write procedure, the power supply to the BMP585 must be stable, and no soft-reset must be issued. Otherwise, permanent damage to the device may occur.

4.8.1.1 NVM Read procedure

- Switch to STANDBY mode by writing `ODR_CONFIG.pwr_mode` and ensuring that DEEP STANDBY is disabled ³
- Wait until `STATUS.nvm_rdy` is equal to 1
- Write the NVM register, with `nvm_row_address` containing the address to read, and `nvm_prog_en` set to 0
- Write the `USR_READ` sequence (0x5D, 0xA5) into the CMD register. This must be done with a dedicated write transaction, and not in the same burst write as the write to `NVM_ADDR`
- Wait until `STATUS.nvm_rdy` is equal to 1. This takes approximately 200 μ s
- Read the data from the `NVM_DATA_1` and `NVM_DATA_0` registers
- Check for errors in `STATUS.nvm_err`, `STATUS.nvm_cmd_err`. Read data will not be valid if one of the error flags is set

4.8.1.2 NVM Write procedure

- Switch to STANDBY mode by writing `ODR_CONFIG.pwr_mode` and ensuring that DEEP STANDBY is disabled ⁴
- Wait until `STATUS.nvm_rdy` is equal to 1
- Write the NVM register, with `nvm_row_address` containing the address to write, and `nvm_prog_en` set to 1
- Write the data to be programmed to `NVM_DATA_1` and `NVM_DATA_0`
- Write the `USR_PROG` sequence (0x5D, 0xA0) into the CMD register. This must be done with a dedicated write transaction, and not in the same burst write as the write to `NVM_ADDR`, `NVM_DATA_1` and `NVM_DATA_0`
- Wait until `STATUS.nvm_rdy` is equal to 1. This takes approximately 10 ms
- Check for errors in `STATUS.nvm_err`, `STATUS.nvm_cmd_err`. The write was not successfully performed if one of the error flags is set
- Reset `NVM_ADDR.nvm_prog_en` to 0

Writes to other NVM addresses than the user range will be ignored.

³ DEEP STANDBY is disabled when at least one of the conditions described in section 4.3.2 is not fulfilled

⁴ DEEP STANDBY is disabled when at least one of the conditions described in Chapter 4.3.2 is not fulfilled

5 Digital Interface

The device provides one serial interface to the host. It acts as a slave to the host. The serial interface is configurable to the interface protocols SPI, I3C and I2C.

5.1 Protocol Selection

The protocol is automatically selected based on the behavior of the signal on the chip select pin CSB after power-up. After soft reset or power-up, the primary interface of the device is in I²C/I3C mode. If the CSB is connected to VDDIO during power-up and not changed, the primary interface works in I²C or I3C mode.

For using I²C and I3C, it is recommended to hard-wire the CSB line to VDDIO. Since power-on-reset is only executed when both VDD and VDDIO are stable, there is no risk of an incorrect protocol detection due to the power-up sequence.

Once the CSB input pin is falling low, the I²C/I3C mode is disabled. The HIF switches over to SPI mode if there are at least 16 full serial clock (SCK) edges during the CSB low phase, and CSB has risen again. Hence, it is recommended to perform a single read via SPI of a registers (e.g., to CHIP_ID) before the actual SPI communication with the device. Note: the content of the retrieved data will be invalid.

The switch from I²C to I3C follows the MIPI I3C specification. Upon power up, the chip stays in I²C mode and once the dedicated Broadcast I3C Address (7'h7E) is seen on the bus, the chip will disable its I2C feature and the interface stays in the I3C mode until a soft reset or the next power-up occurs.

The possible switches among the modes on the digital interface are summarized in Table 15.

Table 15: Possible switches between interface modes

Protocol switch	to I ² C	to I3C	to SPI
from I ² C	--	Device ID 7E sent	dummy SPI read
from I3C	power-down or soft-reset	--	dummy SPI read
from SPI	power-down or soft-reset	power-down or soft-reset	--

5.2 Interface timing

The general interface parameters are given in the table below.

Table 16: General interface parameters

Parameter	Comment	Symbol	Unit	Min	Typ	Max
Input Low Voltage	@VDDIO=1.2V/1.8V/3.3V+/-10%	V_IL	%			30
Input High Voltage	@VDDIO=1.2V/1.8V/3.3V+/-10%	V_IH	%	70		
Input Voltage Hysteresis	@VDDIO=1.2V/1.8V/3.3V+/-10%	V_IHYST	%	10		
Output Low Voltage	@VDDIO=1.2V/1.8V/3.3V+/-10%	V_OL	%			20
Output High Voltage	@VDDIO=1.2V/1.8V/3.3V+/-10%	V_OH	%	80		
Pad Input Leakage Current (no pull-R)	Input = 'Low'	I_IL	μA			1
Pad Input Leakage Current (no pull-R)	Input = 'High'	I_IH	μA			1
Pull-up resistance at CSB pin	I2C mode, relevant for interface mode selection	R_PU_CSB	kΩ	74	100	131

5.2.1 Interface timing

The timing diagram for SPI is given in Figure 7 and is valid for all SPI configurations. The corresponding values are given in Table 17.

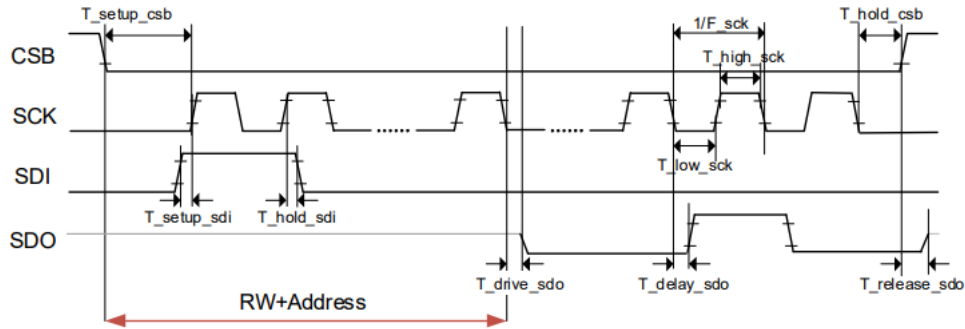


Figure 7: SPI timing diagram (SPI4, Mode 0)

Table 17: SPI timings

Parameter	Comment	Symbol	Unit	Target value		
				min	typ	max
CSB lag time		T_hold_csb	ns	40		
SDX setup time		T_setup_sdx	ns	19		
SDX hold time		T_hold_sdx	ns	7		
SCL to SDO turnaround time	90%/10% Master rise/fall time = [2, 10]ns @ Cbus = 40pF, drive_strength = 7	T_delay_scl2sdo_1p2	ns			52.5
	90%/10% Master rise/fall time = [2, 10]ns @ Cbus = 80pF, drive_strength = 7	T_delay_scl2sdo_1p8	ns			27.8
	90%/10% Master rise/fall time = [2, 10]ns @ Cbus = 80pF, drive_strength = 6	T_delay_scl2sdo_3p3	ns			20.2
SDO rise/fall time (90%/10%)	@ VDDIO = 1.2V		ns			tbd
	@ VDDIO = 1.8V/3.3V		ns			10
SCX frequency	@ VDDIO = 1.8 V/3.3 V	F_sck,nv	MHz	1		12
SCX Pulse High Time	5% duty cycle variation	T_high_scx	ns	37.5		
SCX Pulse Low Time		T_low_scx	ns	37.5		
Idle time after write access		T_wr_idle, spi	ns	80		
Idle time after read access		T_rd_idle,spi	ns	80		

5.2.2 I2C timing specifications

For nominal VDDIO voltages of 1.8V (+/- 10%) and higher, the BMP585 follows the I²C specification for standard mode, fast mode and fast mode plus. For timing specifications, please consult the „I2C-bus specification and user manual“, UM10204, Rev.6, NXP Semiconductors.

5.3 Pad drive strength

The drive strengths to drive a pad to logical high (IOH, Vout=20%*VDDIO) or to logical low(IOL, Vout=80%*VDDIO) are shown in Table 18 and Table 19.

Table 18: Drive strength in IOH

VDDIO	DRIVE_STRENGTH	PARAMETER	Current over T, process corners and ±10% VDDIO			Current at 25°C, typical process, and ±10%VDDIO	
			Typ	Min	Max	Min(V) @RT;TT	Max(V) @RT; TT
1.2	0	loh	305u	90.98u	575.90u	195.4u	426.9u
	1	loh	903.80u	270.20u	1.71m	579.7u	1.265m
	2	loh	1.50m	448.70u	2.83m	962.1u	2.098m
	3	loh	2.10m	627.90u	3.96m	1.346m	2.936m
	4	loh	2.70m	808.30u	5.10m	1.733m	3.78m
	5	loh	3.30m	987.50u	6.22m	2.118m	4.618m
	6	loh	3.90m	1.17m	7.35m	2.5m	5.451m
	7	loh	4.50m	1.34m	8.48m	2.884m	6.289m
1.8	0	loh	1m	600.90u	1.64m	772.1u	1.242m
	1	loh	2.96m	1.78m	4.86m	2.286m	3.676m
	2	loh	4.91m	2.95m	8.06m	3.792m	6.097m
	3	loh	6.88m	4.13m	11.28m	5.306m	8.532m
	4	loh	8.85m	5.32m	14.52m	6.832m	10.99m
	5	loh	10.82m	6.50m	17.74m	8.346m	13.42m
	6	loh	12.77m	7.67m	20.94m	9.852m	15.84m
	7	loh	14.73m	8.85m	24.16m	11.37m	18.28m
3.3	0	loh	3.24m	2.22m	4.72m	2.714m	3.769m
	1	loh	9.58m	6.57m	13.96m	8.033m	11.16m
	2	loh	15.89m	10.90m	23.16m	13.32m	18.51m
	3	loh	22.24m	15.25m	32.40m	18.64m	25.9m
	4	loh	28.64m	19.64m	41.73m	24.01m	33.35m
	5	loh	34.98m	23.99m	50.97m	29.33m	40.74m
	6	loh	41.29m	28.32m	60.17m	34.62m	48.08m
	7	loh	47.64m	32.67m	69.41m	39.94m	55.47m

Table 19: Drive strengths for IOL

VDDIO	DRIVE_STRENGTH	PARAMETER	Current over T, process corners and ±10% VDDIO			Current at 25°C, typical process, and ±10%VDDIO	
			Typ	Min (PVT)	Max (PVT)	MIN (V) @RT;TT	MAX (V) @ RT;TT
1.2	0	IOL	356.20u	99.57u	838u	200.9u	537.1u
	1	IOL	1.11m	291.90u	2.48m	639.4u	1.64m
	2	IOL	1.87m	488.80u	4.13m	1.085m	2.755m
	3	IOL	2.62m	681.10u	5.77m	1.524m	3.858m
	4	IOL	3.32m	846.60u	7.32m	1.921m	4.893m
	5	IOL	4.07m	1.04m	8.96m	2.359m	5.997m
	6	IOL	4.84m	1.24m	10.61m	2.805m	7.111m
	7	IOL	5.59m	1.43m	12.25m	3.244m	8.215m
	8	IOL	6.42m	1.66m	14.02m	3.738m	9.41m
	9	IOL	7.17m	1.85m	15.66m	4.176m	10.51m
	10	IOL	7.93m	2.05m	17.32m	4.622m	11.63m
	11	IOL	8.68m	2.24m	18.96m	5.06m	12.73m
	12	IOL	9.38m	2.40m	20.50m	5.458m	13.77m
	13	IOL	10.13m	2.60m	22.14m	5.896m	14.87m
	14	IOL	10.89m	2.79m	23.80m	6.342m	15.98m
15	IOL	11.65m	2.99m	25.44m	6.78m	17.09m	
1.8	0	IOL	1.42m	722.10u	2.73m	1.064m	1.787m
	1	IOL	4.08m	2.14m	7.41m	3.125m	5.073m
	2	IOL	6.77m	3.58m	12.11m	5.204m	8.383m
	3	IOL	9.44m	5m	16.79m	7.265m	11.67m
	4	IOL	11.99m	6.35m	21.30m	9.228m	14.82m
	5	IOL	14.66m	7.77m	25.98m	11.29m	18.11m
	6	IOL	17.35m	9.20m	30.68m	13.37m	21.42m
	7	IOL	20.01m	10.62m	35.36m	15.43m	24.7m
	8	IOL	22.84m	12.14m	40.26m	17.62m	28.17m
	9	IOL	25.51m	13.56m	44.94m	19.68m	31.46m
	10	IOL	28.19m	15m	49.65m	21.76m	34.77m
	11	IOL	30.86m	16.42m	54.33m	23.82m	38.05m
	12	IOL	33.41m	17.77m	58.83m	25.79m	41.2m
	13	IOL	36.08m	19.19m	63.51m	27.85m	44.49m
	14	IOL	38.77m	20.62m	68.22m	29.93m	47.8m
15	IOL	41.43m	22.04m	72.89m	31.99m	51.09m	

VDDIO	DRIVE_STRENGTH	PARAMETER	Current over T, process corners and ±10% VDDIO			Current at 25°C, typical process, and ±10%VDDIO	
			Typ	Min (PVT)	Max (PVT)	MIN (V) @RT;TT	MAX (V) @ RT;TT
3.3	0	IOL	4.67m	2.84m	7.55m	3.953m	5.359m
	1	IOL	12.49m	7.82m	19.44m	10.67m	14.27m
	2	IOL	20.36m	12.82m	31.38m	17.43m	23.22m
	3	IOL	28.19m	17.80m	43.27m	24.14m	32.13m
	4	IOL	35.76m	22.60m	54.82m	30.63m	40.75m
	5	IOL	43.59m	27.57m	66.71m	37.35m	49.66m
	6	IOL	51.46m	32.58m	78.65m	44.11m	58.62m
	7	IOL	59.29m	37.56m	90.54m	50.82m	67.53m
	8	IOL	67.46m	42.79m	102.90m	57.95m	76.82m
	9	IOL	75.29m	47.76m	114.80m	64.56m	85.72m
	10	IOL	83.16m	52.77m	126.70m	71.32m	94.68m
	11	IOL	90.98m	57.75m	138.60m	78.04m	103.6m
	12	IOL	98.56m	62.54m	150.10m	84.53m	112.2m
	13	IOL	106.40m	67.52m	162m	91.24m	121.1m
	14	IOL	114.30m	72.53m	174m	98m	130.1m
15	IOL	122.10m	77.51m	185.90m	104.7m	139m	

5.4 Read burst address increment

For read bursts in all protocols, the BMP585 performs an automatic address increment with each read byte. That means, if the user reads for example 10 bytes starting address 0x01, the BMP585 will return the data for register 0x01..0x0A. An exception to this rule is the FIFO_DATA register. If a read starts at FIFO_DATA, the address will not be incremented, but the read will continue on the register to support FIFO read-out. The same applies if the FIFO_DATA register is addressed during a read burst that started with an address below the FIFO_DATA register. For more information on FIFO read-out, see section 4.6.3 "FIFO data readout".

5.5 SPI Protocol

The SPI interface is compatible with SPI mode '00' (CPOL = CPHA = '0') and mode '11' (CPOL = CPHA = '1'). The automatic selection between mode '00' and '11' is determined by the value of SCK after the CSB falling edge.

The SPI interface has two modes: 4-wire and 3-wire. The protocol is the same for both. The 3-wire mode is selected by setting DRIVE_CONFIG.spi3_en = 1. The pad SDI is used as a data input/output pad in 3-wire mode.

Table 20 shows the usage of pins for the SPI protocol. MOSI refers to **Master-Out, Slave-In** data direction. MISO refers to the **Slave-In, Master-Out** data direction.

Table 20: SPI interface pin usage

Name	Description	Function in 4-wire mode	Function in 3-wire mode
CSB	chip select, active low	chip select, active low	chip select, active low
SCK	serial clock	serial clock	serial clock
SDX	serial data in/output	MOSI data	MOSI and MISO data
SDO	serial data output	MISO data	--

Refer to Chapter 6 "Pin out and connection diagrams" for connection instructions.

Data on SDX is latched by the device at SCK rising edge and SDO is changed at SCK falling edge. Communication starts when CSB goes to low and stops when CSB goes to high; during these transitions on CSB, SCK must be stable. The SPI protocol is shown in the following subsections.

5.5.1 SPI3 Wire Mode

SDX must be left floating in SPI3 mode. The reason is that the device starts in SPI4 mode after power-up, and drives SDX until the switch to SPI3 is commanded.

SDI must always be tied to either low or high voltage and not left floating, even when the CSB is high, and no communication with the device takes place. A floating SDI may create excessive power consumption (and on the long-term potentially also damage to the device).

5.5.2 SPI Write Operation

SPI write operation supports single-byte as well as multi-byte (burst) writing. Figure 8 shows the SPI single-byte write protocol. The host sends the write command, write address, write data, and then terminates the transaction.

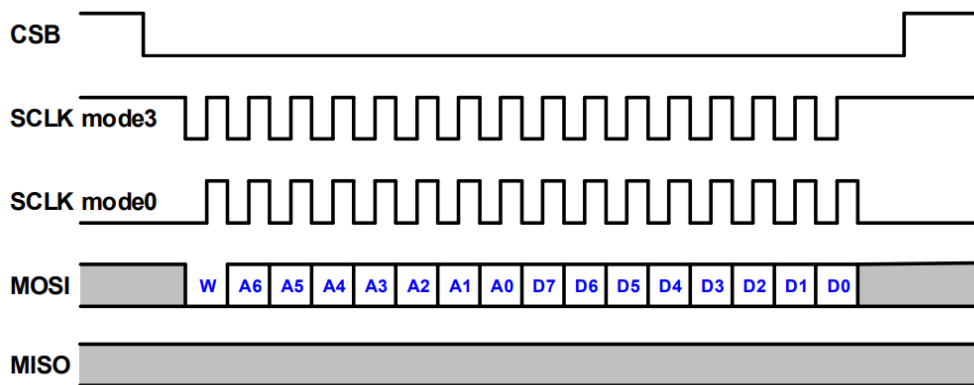


Figure 8: SPI single-byte write operation

Figure 9 shows the SPI multi-byte (burst) write protocol. The host sends the write command, multiple pairs of write address/data and finally terminates the transaction. Note that for each write byte the address has to be sent over separately.

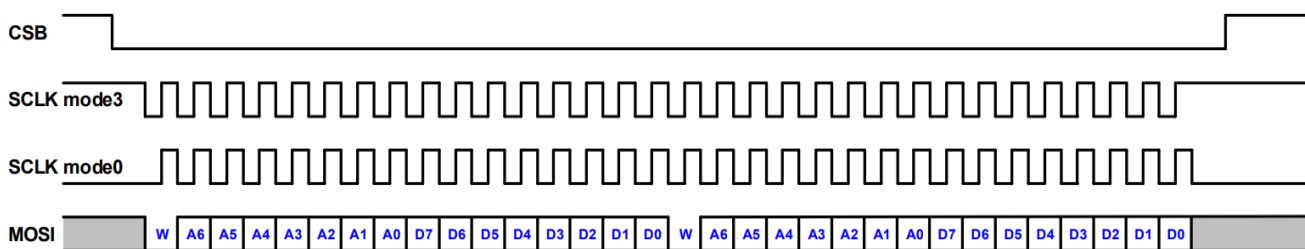


Figure 9: SPI burst write operation

5.5.3 SPI read operation

SPI read operation supports single-byte as well as multi-byte (burst) reading. Figure 10 shows the SPI single-byte read protocol. The host sends the read command, read address, gets the read data, and then terminates the transaction.

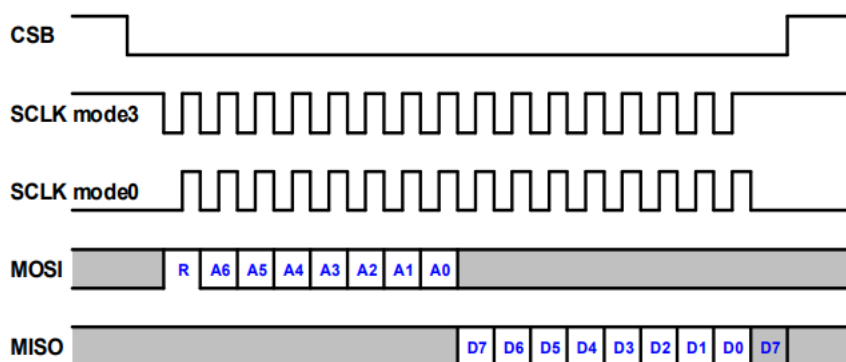


Figure 10: SPI single-byte read operation

Figure 11 shows the SPI multi-byte (burst) read protocol. The host sends the read command, read address, gets multiple byte read data, and then terminates the transaction.

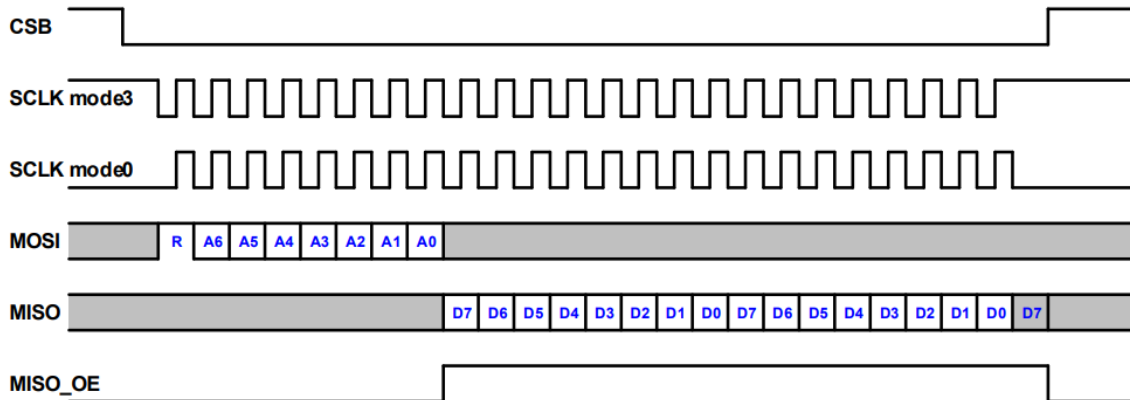


Figure 11: SPI multi-byte read operation

5.5.4 SPI hybrid bursts

SPI also supports a combined write-read operation called hybrid burst. Figure 12 shows this protocol. The host may decide to combine a read (single or burst) transaction together with a write (single or burst) transaction together.

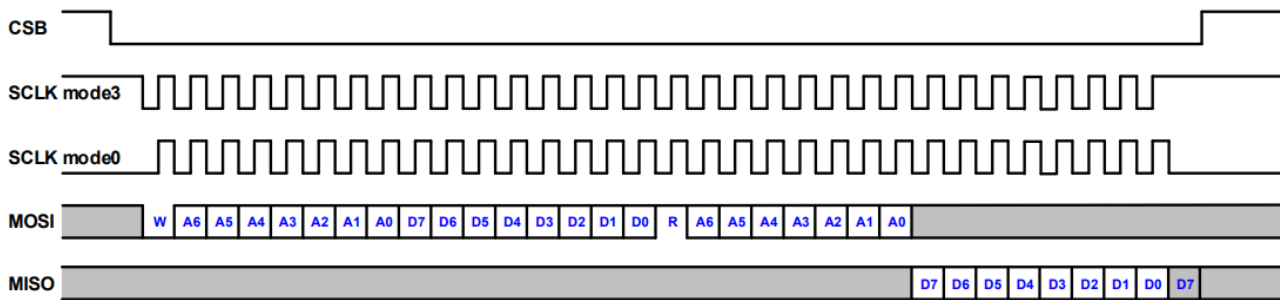


Figure 12: SPI hybrid write-read burst

A CSB idle time of 1us must be ensured for reads following writes for the following registers:

- DRIVE_CONFIG
- INT_CONFIG
- NVM_DATA_LSB
- NVM_DATA_MSB

As a consequence, hybrid accesses on these registers are not allowed.

5.6 I²C protocol

BMP585 supports the following I²C modes:

- normal mode (100 kHz)
- fast mode (100 - 400 kHz)
- fast mode plus (400 kHz - 1 MHz)

The I²C slave address of BMP585 is 7'h46 for SDO = 1'b0 and 7'h47 for SDO = 1'b1. SDO must not be floating when I²C is used, otherwise the I²C device address is undefined.

CSB has an integrated pull-up resistor, which can be enabled in I²C and I³C mode by setting DRIVE_CONFIG.i2c_csb_pup_en.

5.6.1 I²C write operation

I²C write operation supports single-byte as well as multi-byte (burst) writing. Figure 13 depicts the I²C write transfer for single-byte write operation. The transfer begins with a start condition generated by the host, followed by 7 bit slave address and a write bit (R/W = 1'b0). The slave sends an acknowledge bit (ACK = 1'b0) and releases the bus. Subsequently the host is expected to send the register address. Only the first 7 bit (right aligned) are the valid address bit and the MSB is ignored. The slave shall again acknowledge the transmission and wait for the 8 bit data, which shall be written to the specified register address. After slave acknowledges the data byte, the host generates a stop signal and terminates the writing protocol.

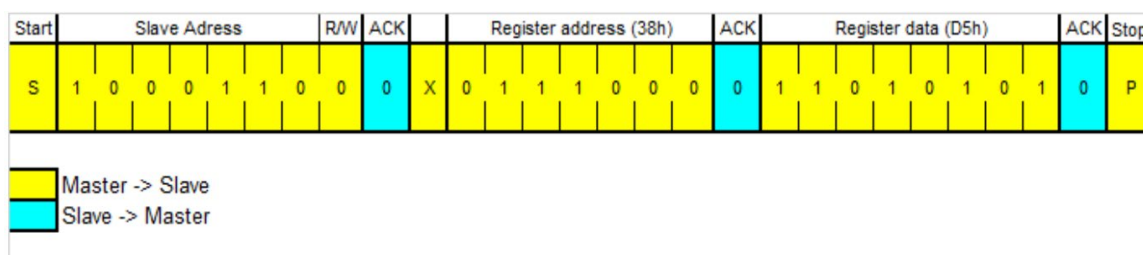


Figure 13: single-byte

I²C write

BMP585 also supports multi-byte write operation in I²C mode. The multi-byte write telegram is depicted in Figure 14. The telegram begins with a start condition generated by the host, followed by 7 bit slave address and a write bit (R/W = 1'b0). The slave sends an acknowledge bit (ACK = 1'b0) and releases the bus. Subsequently the host sends the one byte register address. Only 7 bit (right aligned) are the valid address bits and the MSB shall be ignored. The slave shall again acknowledge the transmission and wait for several 8 bit wide data words. The first data word is written to the specified register address. The register address pointer is automatically incremented for each data word. Each received data word is written to the register referenced by the current register address pointer. The slave acknowledges each data byte. When no more data words need to be written, the host generates a stop signal and terminates the writing protocol.

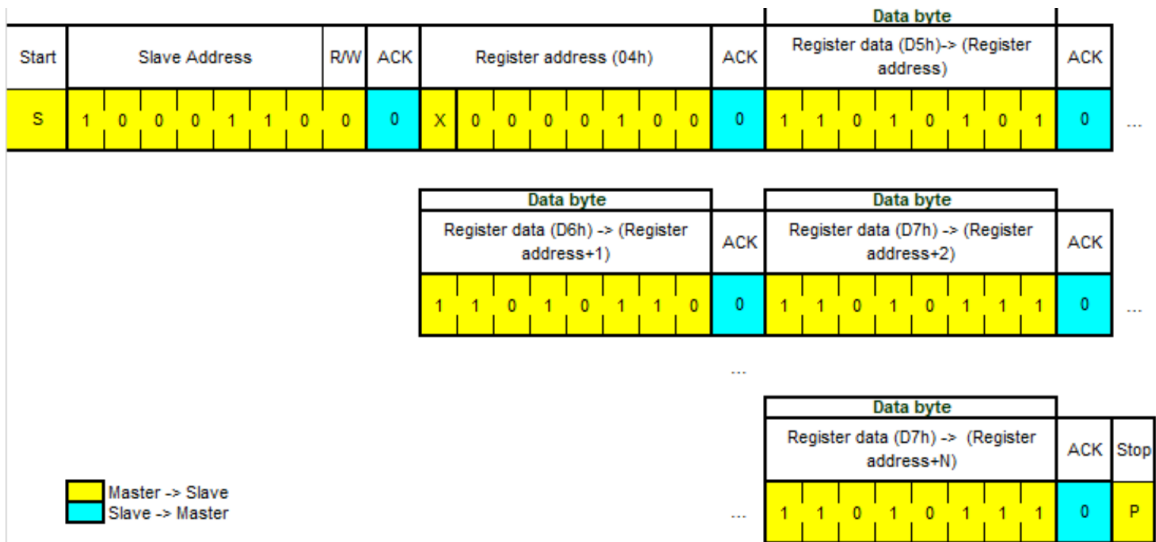


Figure 14: I2C multi-byte write

5.6.2 I²C read operation

I²C read operation supports single-byte as well as multi-byte (burst) reading. A read command consists of a 1 byte I²C write phase followed by an I²C read phase. The two I²C transmissions must be separated by a repeated start condition (Sr) as shown in Figure 15 or a stop followed by start condition (P followed by S) as shown in Figure 16. The I²C write phase addresses the slave and sends the register address to be read. After the slave acknowledges the transmission, the host is expected to generate a start condition and then to send the slave address together with a read bit (R/W = 1'b1). Then the host releases the bus and waits for the data bytes to be read out from slave. After each data byte the host has to generate an acknowledge bit (ACK = 1'b0) to enable further data transfer. A NACK (ACK = 1'b1) from the host stops the data transferring from slave. Slave releases the bus so that the host can generate a STOP condition and terminate the transmission. During a multi-byte read transfer, the register address is automatically incremented such that more than one byte can be sequentially read out. Once a new data read transmission starts, the start address is set to the register address specified in the latest I²C write command (see Figure 17). By default, the start address is set at 8h'00.

In this way repetitive multi-byte reads from the same starting address are possible.

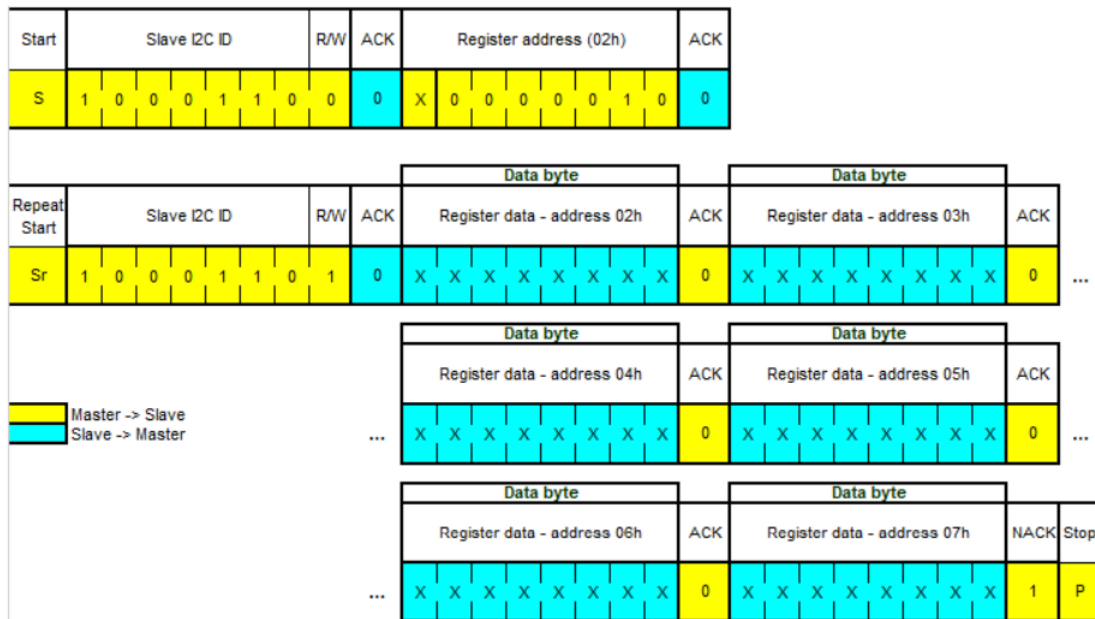


Figure 15: I²C multi-byte read protocol with repeated start

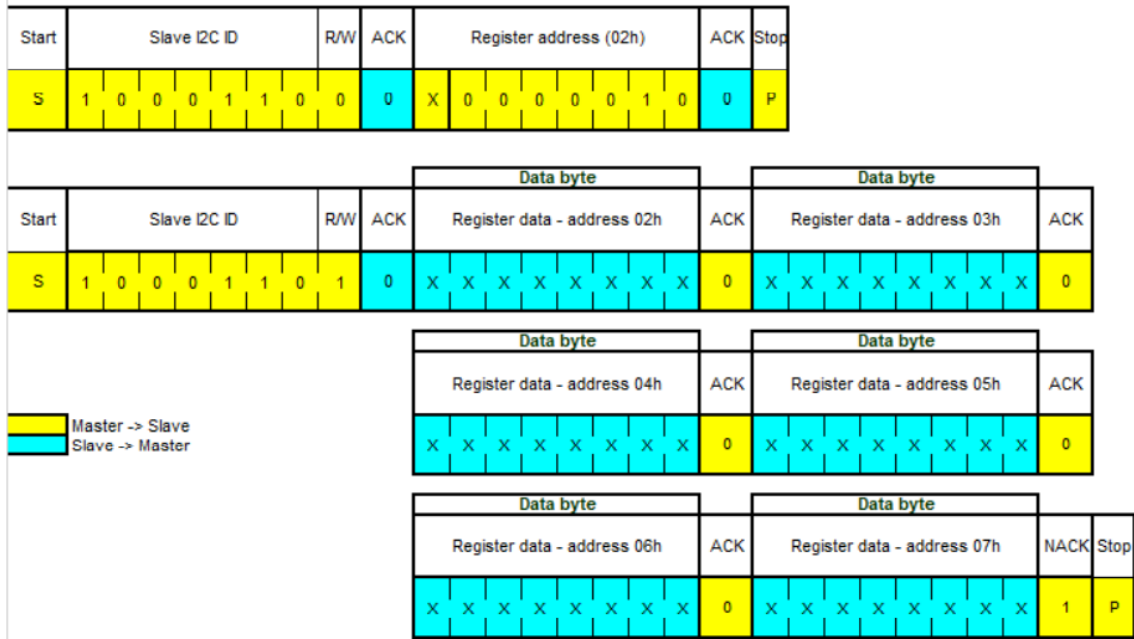


Figure 16: multi-byte read protocol with stop-start

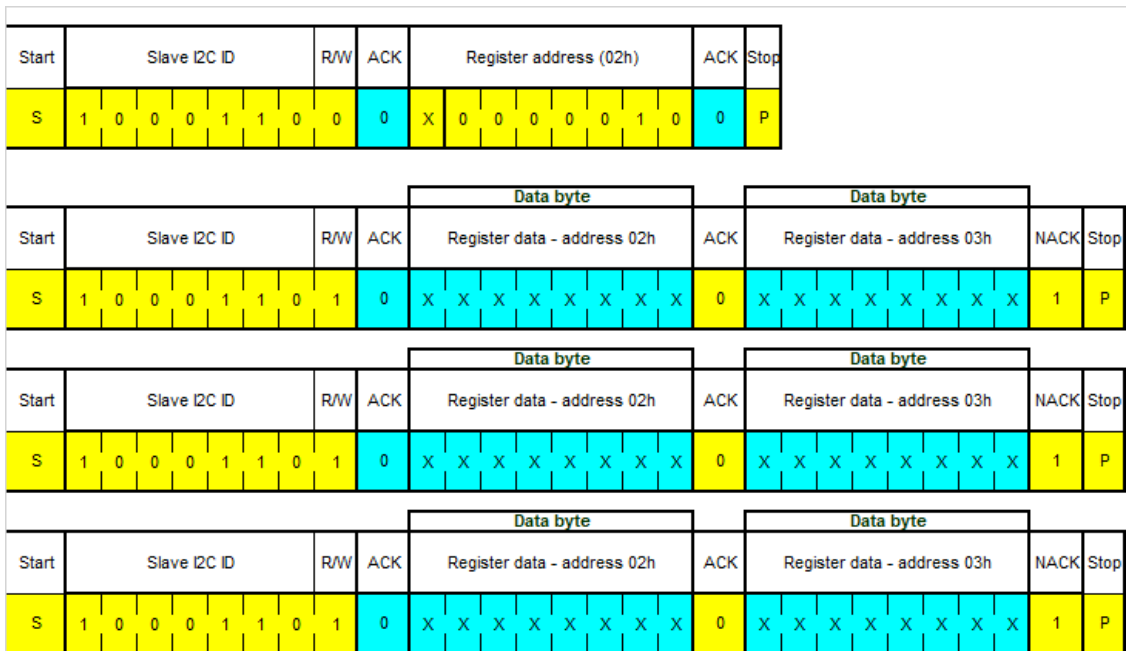


Figure 17: I2C multi-byte read from same start address with stop-start

5.7 I3C Protocol

BMP585 supports the I3C protocol 1.0. Following I3C features are supported:

- I2C compatibility including:
- Support of I2C-like SDR messages to the BMP585
- bus traffic of I2C messages to legacy I2C slaves
- I3C single data rate (SDR) mode with up to 12.5 MHz data rate
- In-Band Interrupt (IBI)
- Timing control asynchronous 0 mode (restricted to maximum 11 MHz I3C frequency and a minimum of 200 kHz)
- Timing control synchronous mode

The I3C bus uses the pin SCL for serial clock and SDX as SDA for serial data input and output for the signal lines.

5.7.1 I3C Identifiers

The I3C protocol uses several identifiers and codes to handle communication between several masters and slaves. For communication with this device, there are defined the I3C provisional ID, the Device Characteristics Register (DCR), the Bus Characteristics Register (BCR) and the Mandatory Byte (MDB) for IBIs. The I3C provisional ID has the value defined in Table 21.

Table 21: I3C provisional identifier

Byte	Byte 5								Byte 4								Byte 3								Byte 2								Byte 1								Byte 0																																																							
Bit of byte	7	6	5	4	3	2	1	0	7	6	5	4	3	2	1	0	7	6	5	4	3	2	1	0	7	6	5	4	3	2	1	0	7	6	5	4	3	2	1	0	7	6	5	4	3	2	1	0																																																
Bit of word	47	46	45	44	43	42	41	40	39	38	37	36	35	34	33	32	31	30	29	28	27	26	25	24	23	22	21	20	19	18	17	16	15	14	13	12	11	10	9	8	7	6	5	4	3	2	1	0																																																
Description	MIPI member ID																IBI	Bosch group ID								Device ID								Instance ID				Reserved																																																										
Bit value	0	0	0	0	0	1	1	1	0	1	1	1	0	0	0	0	0	0	0	0	1	0	0	0	0	0	1	0	1	0	0	0	0	0	0	0	0	SDO	0	0	0	0	0	0	0	0	0	0	0	0																																														
Hex value	0								7								7								0								1								0								4								1								0 or 1								0								0								0							

The value of the Device Characteristics Register (DCR) is fixed to 0x62 to indicate a pressure sensor, as shown in Table 22. See also https://www.mipi.org/MIPI_I3C_device_characteristics_register.

Table 22: I3C device characteristics register (DCR)

DCR<7>	DCR<6>	DCR<5>	DCR<4>	DCR<3>	DCR<2>	DCR<1>	DCR<0>
Device ID							
0	1	1	0	0	0	1	0

The value of the Bus Characteristics Register (BCR) is fixed to 0x06, as shown in Table 23.

Table 23: I3C bus characteristics registers (BCR)

BCR <7:6>	BCR <5>	BCR <4>	BCR <3>	BCR <2>	BCR <1>	BCR <0>
I3C Slave	Reserved	Not a bridge	Device will always respond to I3C Bus commands	Mandatory payload after IBI	IBI capable	Max data Speed: no limitation
2'b00	1'b0	1'b0	1'b0	1'b1	1'b1	1'b0

5.7.2 I3C In-band Interrupts

The device supports the in-band interrupt (IBI) feature of I3C, as described in the I3C specification. In case there is an IBI event, the device will emit its address into the arbitrated address header following a START (but not following a repeated START).

If no START is forthcoming within the Bus Available Condition, then the chip will actively pull down the SDA line to issue a START. The IBI feature can be enabled by the Common Command Code (CCC)' ENEC with the ENINT bit set to 0b1. The IBI feature can be disabled by the Common Command Code (CCC)' DISEC with the DISINT bit set to 0b1. Upon power up, the feature is disabled by default. The IBI mandatory byte is defined in Table 24. This is also the IBI payload that will be returned upon an GETSTATUS CCC command.

More information on the meaning of the interrupts can be found in section 4.7 "Interrupts".

Table 24: Content of IBI mandatory byte and IBI payload byte

7	6	5	4	3	2	1	0
0	0	0	0	00R	FIFO thres	FIFO full	data ready

5.7.3 Common Command Codes (CCC)

Supported I3C command control codes (CCCs) are listed in Table 25.

Table 25: List of I3C CCCs

CCC Code	CCC Type	CCC name	Description	BMP585 Supported
0x00	Broadcast	ENEC	Enable events	Y
0x01	Broadcast	DISEC	Disable events	Y
0x02	Broadcast	ENTAS0	Enter active state 0	N
0x03	Broadcast	ENTAS1	Enter active state 1	N
0x04	Broadcast	ENTAS2	Enter active state 2	N
0x05	Broadcast	ENTAS3	Enter active state 3	N
0x06	Broadcast	RSTDAA	Reset dynamic address	Y
0x07	Broadcast	ENTDAA	Enter dynamic address assignment	Y
0x08	Broadcast	DEFSLVS	Define list of slaves	N
0x09	Broadcast	SETMWL	Set max write length	N
0x0A	Broadcast	SETMRL	Set max read length	N
0x0B	Broadcast	ENTTM	Enter test mode	N
0x20	Broadcast	ENTHDR0	Enter HDR mode 0	N
0x21	Broadcast	ENTHDR1	Enter HDR mode 1	N
0x22	Broadcast	ENTHDR2	Enter HDR mode 2	N
0x23	Broadcast	ENTHDR3	Enter HDR mode 3	N
0x24	Broadcast	ENTHDR4	Enter HDR mode 4	N
0x25	Broadcast	ENTHDR5	Enter HDR mode 5	N
0x26	Broadcast	ENTHDR6	Enter HDR mode 6	N
0x27	Broadcast	ENTHDR7	Enter HDR mode 7	N
0x28	Broadcast	SETXTIME	Exchange timing information	Y
0x80	Direct	ENEC	Enable events	Y
0x81	Direct	DISEC	Disable events	Y
0x82	Direct	ENTAS0	Enter active state 0	N
0x83	Direct	ENTAS1	Enter active state 1	N
0x84	Direct	ENTAS2	Enter active state 2	N
0x85	Direct	ENTAS3	Enter active state 3	N
0x86	Direct	RSTDAA	Reset dynamic address	Y
0x87	Direct	SETDASA	Set dynamic address from static address ^a	Y
0x88	Direct	SETNEWDA	Set new dynamic address	Y
0x89	Direct	SETMWL	Set max write length	N

0x8A	Direct	SETMRL	Set max read length	N
0x8B	Direct	GETMWL	Get max write length	N
0x8C	Direct	GETMRL	Get max read length	N
0x8D	Direct	GETPID	Get provisional ID	Y
0x8E	Direct	GETBCR	Get bus characteristics register	Y
0x8F	Direct	GETDCR	Get device characteristics register	Y
0x90	Direct	GETSTATUS	Get device status	Y
0x91	Direct	GETACCMST	Get accept mastership	N
0x93	Direct	SETBRGTGT	Get bridge status	N
0x94	Direct	GETMXDS	Get max data speed	N
0x95	Direct	GETHDCAP	Get HDR capability	Y
0x98	Direct	SETXTIME	Exchange timing information	Y
0x99	Direct	GETXTIME	Get timing information	Y

a. CCC SETDASA can be used once to assign the dynamic address. If the address shall be changed without resetting or power-cycling the device, CCC SETNEWDA must be used.

5.7.4 I3C SDR Operations

The BMP585's I3C follows the standard I3C specification and defines the private protocol part to meet the data transfer requirements.

The address for all read and write transactions can be set according to the timing diagram in Figure 18. The 7-bit address is allocated in byte section right after the dynamic address transmission. There is a 1-bit dummy content and the address transfers from MSB to LSB.

The read data transfer itself is shown in timing diagrams in Figure 19 for single byte reads, and in Figure 20 for read bursts.

Data is provided in 8-bit granularity. In both read and write operations, the data transfer bit order is from MSB to LSB. A read data transfer may be followed directly by another read data transfer, without setting a new address. In this case the automatic address increment feature of BMP585 increments the addresses for all subsequent data reads until a new address is set.

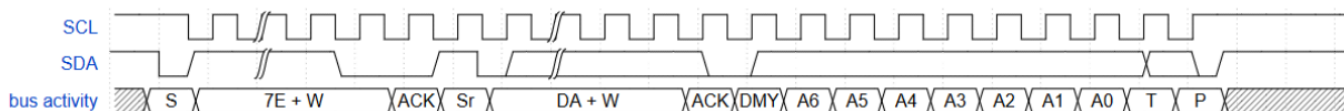


Figure 18: I3C address setting timing diagram

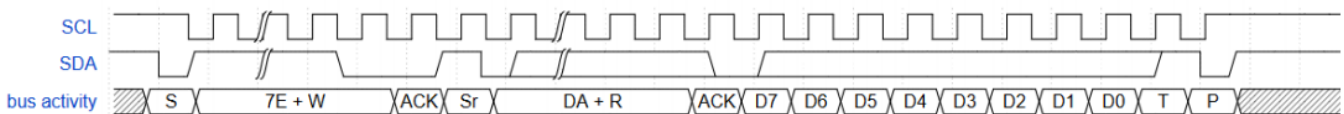


Figure 19: I3C SDR read timing diagram (single byte)



Figure 20: I3C SDR read timing diagram (multiple bytes)

The write transaction (see Figure 21) always contains the target address before the data content is transferred. In case multiple byte datum content are sent out by host, the internal address pointer is incremented automatically, and the content will be written into the preceding address byte by byte.

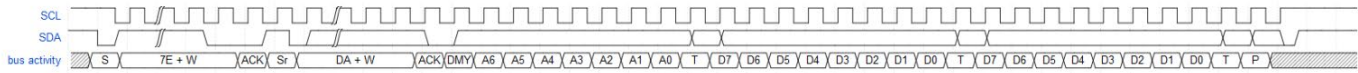


Figure 21: I3C write timing diagram

In accordance to the MIPI I3C specification, the host may skip the 7E header and start with the dynamic address section. This applies to all I3C transactions.

5.7.5 S0/S1 error recovery

BMP585 supports S0/S1 error recovery method b) according to Table 49 „SDR Slave Error Types“ of the MIPI I3C specification v1.1. Method a) is not supported. After an S0/S1 error, the BMP585 may stop transmitting IBIs until the next I3C start or stop condition on the bus. Therefore, it is recommended to implement a Start-Stop sequence (for example by a dummy read to a device) after such an error.

6 Pin out and connection diagrams

6.1 Pin Out

Figure 22 shows the pin-out of the device from bottom and top view. Table 26 shows the related pin descriptions.

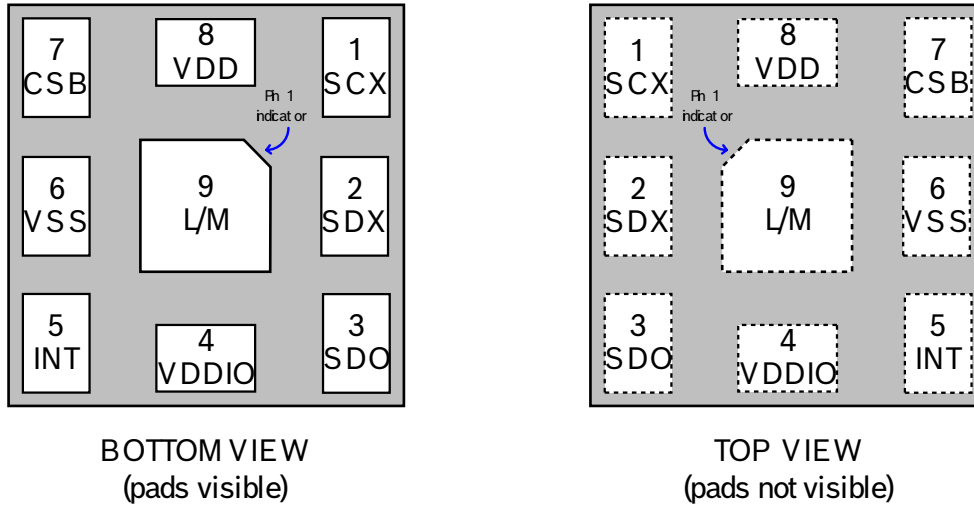


Figure 22: Pin out bottom and top view

Table 26: Pin description

Pin	Name	I/O Type	Description	Connect to	
				SPI 4W	SPI 3W
1	SCX	In	I2C Serial clock SPI Serial clock	SCK	SCK
2	SDX	In/Out	I2C Serial data SPI Serial data input (4-wire) SPI Serial data IO (3-wire)	SDI	SDI/SDO
3	SDO	In/Out	I2C Slave address LSB SPI Serial data output (4-wire)	SDO	DNC
4	VDDIO	Supply	Digital interface power supply	V _{DDIO}	
5	INT	Out	Interrupt or data ready	host INT input, GND ^a or DNC	
6	VSSIO/VSS	Supply	Ground	GND	
7	CSB	In	Chip select for SPI (Low Active)	CSB	CSB
8	VDD	Supply	Analog power supply	V _{DD}	
9	L/M Pad	---	Lasermarking	No external connection possible due to S/R coverage	

a. GND connection is allowed, as long as the IRQ pin is not activated

6.2 Connection Diagrams

The sensor (including the ASIC) should be used in one of the following four configurations on application level. In all connection scenarios:

- all VSS pins must be connected to GND.
- if the INT pin is not used, it is recommended to be connect it to GND, rather than leaving it floating. In the case of GND connection, the interrupt pin must be disabled by keeping INT_CONFIG.int_en disabled. If the INT pin must be unconnected in the application, it is recommended to use the following settings for INT_CONFIG:
 - INT_CONFIG.int_en = 1
 - INT_CONFIG.int_od = 0
 - INT_CONFIG.pad_int_drv = 0

6.2.1 SPI 3-wire

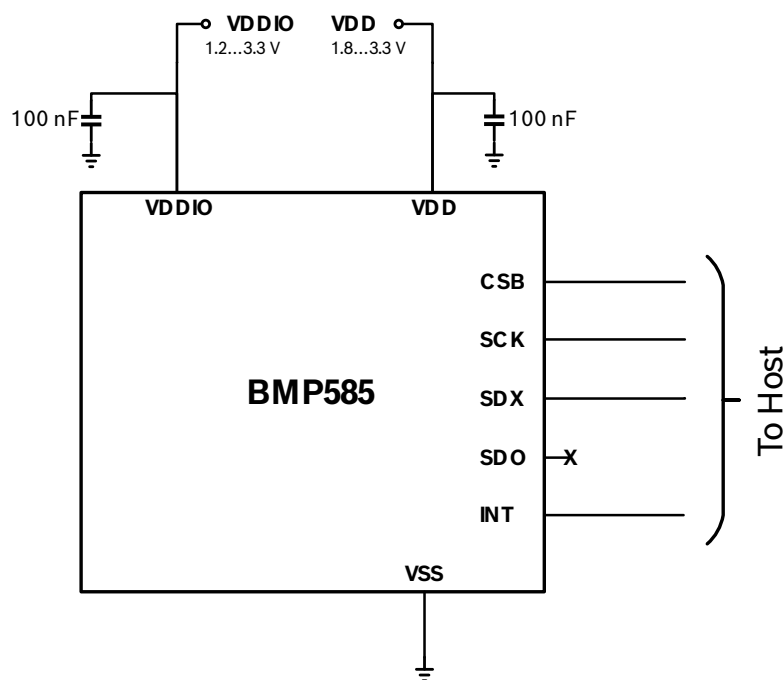


Figure 23: SPI 3-wire connection diagram

The SDO pin must be left floating. The reason is, that the device starts in SPI4 mode after power-up, and drives SDO until the switch to SPI3 is commanded.

The SDI pin must be driven to either low or high voltage when no communication takes place. Otherwise, a floating SDI may create excessive power consumption (and on the long-term potentially also damage to the device), as the input pad is not disabled.

6.2.2 SPI 4-wire

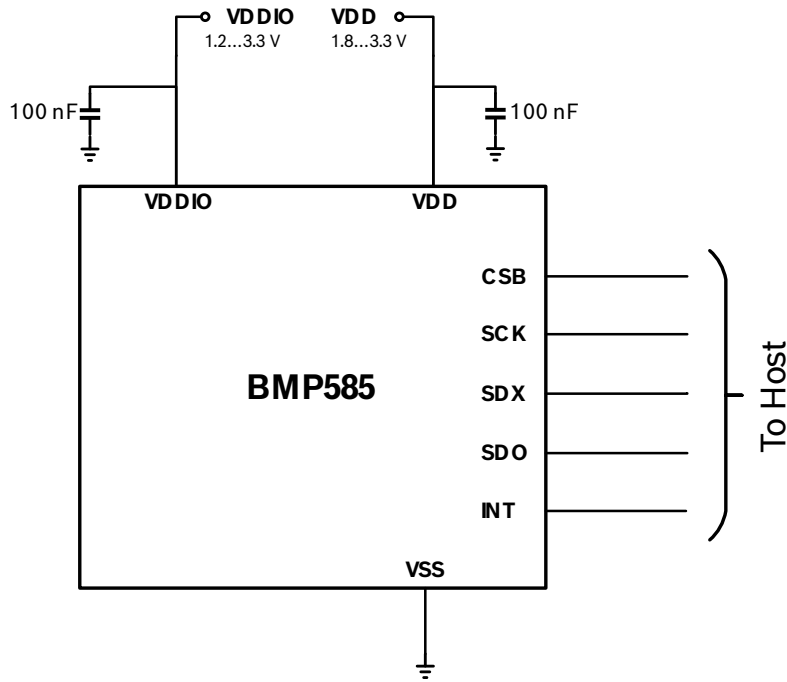


Figure 24: SPI 4-wire connection diagram

6.2.3 I²C

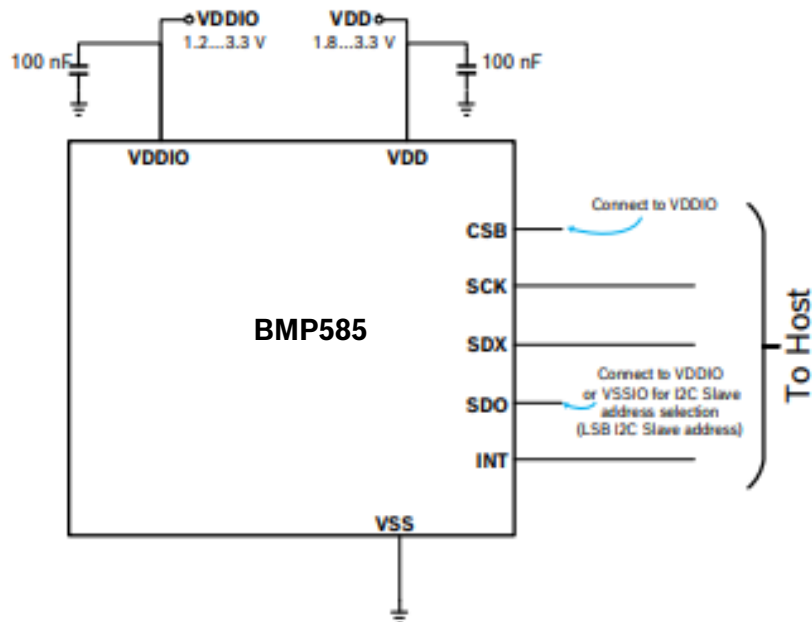


Figure 25: I²C connection diagram

In I²C mode, the CSB pin must be connected to VDDIO.

6.2.4 I3C

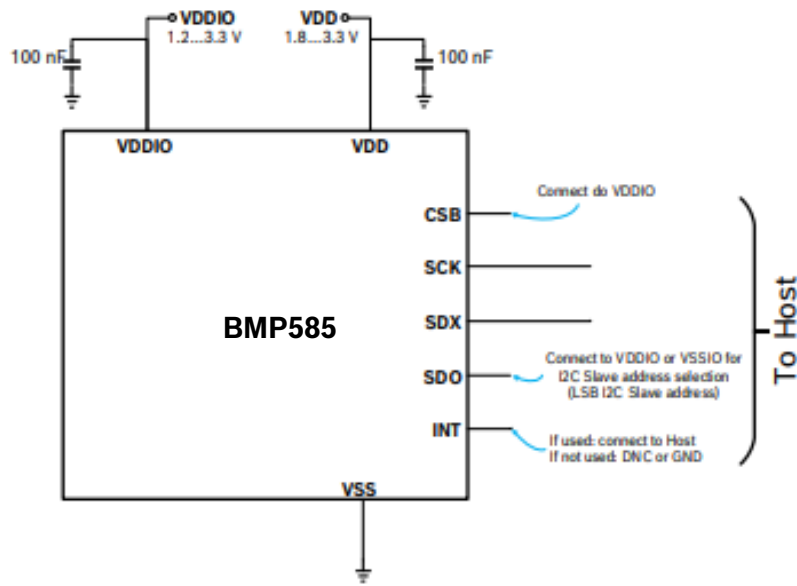


Figure 26: I3C connection diagram

In I3C mode, the CSB pin must be connected to VDDIO.

6.2.5 SPI/I²C/I3C Configuration with VDD, VDDIO ramp-up time <math>< 10 \mu\text{s}</math>

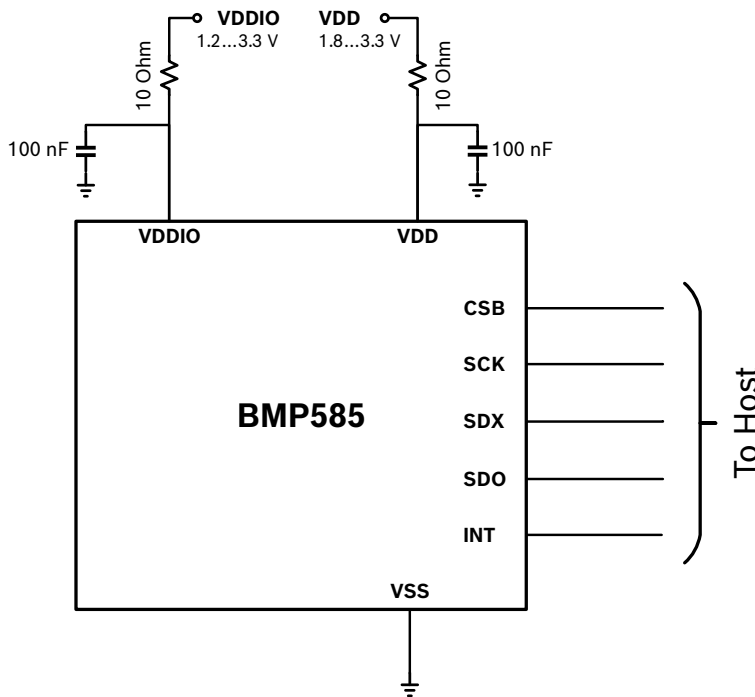


Figure 27: SPI/I²C/I3C Configuration with fast VDD, VDDIO ramp-up times

If VDD or VDDIO ramp-up times are not controlled and are faster than $10 \mu\text{s}$, like in a direct connection to battery, the BMP585 inrush current should be externally limited to avoid damages from repeated power cycles using a 10 Ohm resistance, as depicted in Figure 27.

7 Register Map

Legend			Read-only		Read/Write		Write-only		Reserved		
Addr	Name	Reset value	bit7	bit6	bit5	bit4	bit3	bit2	bit1	bit0	
...	-	-	reserved								
0x7E	CMD	0x00	cmd								
...	-	-	reserved								
0x38	OSR_EFF	0x00	odr_is_...	reserved_6	osr_p_eff			osr_t_eff			
0x37	ODR_CONFIG	0x70	deep_dis	odr				pwr_mode			
0x36	OSR_CONFIG	0x00	reserved_7	press_en	osr_p			osr_t			
0x35	OOR_CONFIG	0x00	cnt_lim		reserved_5_1					oor_thr...	
0x34	OOR_RANGE	0x00	oor_range_p								
0x33	OOR_THR_P_MSB	0x00	oor_thr_p_15_8								
0x32	OOR_THR_P_LSB	0x00	oor_thr_p_7_0								
0x31	DSP_IIR	0x00	reserved_7_6		set_iir_p			set_iir_t			
0x30	DSP_CONFIG	0x03	oor_sel...	fifo_se..	shdw_-se...	fifo_-se...	shdw_-se...	iir_flu..	reserved_0_1		
...	-	-	reserved								
0x2D	NVM_DATA_MSB	0x00	nvm_data_msb								
0x2C	NVM_DATA_LSB	0x00	nvm_data_lsb								
0x2B	NVM_ADDR	0x00	reserved_7	nvm_pro...	nvm_row_address						
...	-	-	reserved								
0x29	FIFO_DATA	0x7F	fifo_data								
0x28	STATUS	0x02	reserved_7	reserved_6_5		reserved_4	status_...	status_...	status_...	reserved_0	
0x27	INT_STATUS	0x00	reserved_7_5			por	oor_p	fifo_ths	fifo_full	drdy_da...	
0x26	RESERVED_REG4	0x00	reserved_reg4								
0x25	RESERVED_REG3	0x00	reserved_reg3								
0x24	RESERVED_REG2	0x00	reserved_reg2								
0x23	RESERVED_REG1	0x00	reserved_reg1								
0x22	PRESS_DATA_MSB	0x7F	press_23_16								
0x21	PRESS_DATA_LSB	0x7F	press_15_8								
0x20	PRESS_DATA_XLSB	0x7F	press_7_0								
0x1F	TEMP_DATA_MSB	0x7F	temp_23_16								
0x1E	TEMP_DATA_LSB	0x7F	temp_15_8								
0x1D	TEMP_DATA_XLSB	0x7F	temp_7_0								
0x1C	RESERVED_REG_0	0x00	reserved_reg0								
...	-	-	reserved								
0x18	FIFO_SEL	0x00	reserved_7_5			fifo_dec_sel		fifo_frame_sel			
0x17	FIFO_COUNT	0x00	reserved_7_6		fifo_count						
0x16	FIFO_CONFIG	0x00	reserved_7_6		fifo_mode	fifo_threshold					
0x15	INT_SOURCE	0x00	reserved_7_4				oor_p_en	fifo_th...	fifo_fu...	drdy_da...	
0x14	INT_CONFIG	0x35	pad_int_drv				int_en	int_od	int_pol	int_mode	
0x13	DRIVE_CONFIG	0x30	pad_if_drv				reserved_3	reserved_2	spi3_en	i2c_cs b...	
...	-	-	reserved								
0x11	CHIP_STATUS	0x00	reserved_7_4				i3c_er_r_3	i3c_er_r_0	hif_mode		
...	-	-	reserved								
0x02	REV_ID	0x32	asic_rev_id								
0x01	CHIP_ID	0x51	chip_id								
...	-	-	reserved								

8 Register content

8.1 Register (0x01) ASIC identification ID

Bit	7	6	5	4	3	2	1	0
Read/Write	R	R	R	R	R	R	R	R
Reset Value	0	1	0	1	0	0	0	0
Content	chip_id							

- chip_id:(bit offset: 0) ASIC ID

8.2 Register (0x02) ASIC revision ID

Bit	7	6	5	4	3	2	1	0
Read/Write	R	R	R	R	R	R	R	R
Reset Value	0	0	1	1	0	0	1	0
Content	asic_rev_id							

- asic_rev_id:(bit offset: 0) ASIC revision

8.3 Register (0x11) ASIC status register

Bit	7	6	5	4	3	2	1	0
Read/Write	R	R	R	R	R	R	R	R
Reset Value	0	0	0	0	0	0	0	0
Content	reserved_7_4				i3c_err_3	i3c_err_0	hif_mode	

- hif_mode:(bit offset: 0) HIF mode (NVM-backed)

Value	Description
0b00 (0x0)	I2C Mode Only [SPI disabled]
0b01 (0x1)	SPI Mode1 and Mode2
0b10 (0x2)	SPI Mode0 and Mode3
0b11 (0x3)	SPI and I2C Available (Autoconfig) Interface selection is automatically configured. Default is I2C mode. During Power-on CSB pin should be tied to VDDIO to pull it high at power-on. If CSB goes low during, I2C interface will be disabled until the next power-on-reset.

- i3c_err_0:(bit offset: 2) SDR parity error occurred
- i3c_err_3:(bit offset: 3) S0/S1 error occurred. When S0/S1 error occurs, the slave will recover automatically after 60us as if an HDR-exit pattern is executed on the bus. Flag will persist for notification purpose. This flag is clear-onread type. It is cleared automatically once read.
- reserved_7_4:(bit offset: 4) reserved

8.4 Register (0x13) Configure host interface related settings (NVM-backed)

Bit	7	6	5	4	3	2	1	0
Read/Write	R/W	R/W	R/W	R/W	R/W	R/W	R/W	R/W
Reset Value	0	0	1	1	0	0	0	0
Content	pad_if_drv				reserved_3	reserved_2	spi3_en	i2c_csb...

- i2c_csb_pup_en:(bit offset: 0) CSB pullup selection (valid in I2C mode only)

Values	Description
0b0 (0x0)	disabled
0b1 (0x1)	enabled

- spi3_en:(bit offset: 1) SPI 3-wire mode enabling

Values	Description
0b0 (0x0)	SPI 4-wire mode
0b1 (0x1)	SPI 3-wire mode

- reserved_2:(bit offset: 2) reserved
- reserved_3:(bit offset: 3) reserved
- pad_if_drv:(bit offset: 4) Pad drive strength for serial IO pins SDX, SDO (MSB should be set in I2C mode only)
- Note: these register fields should be read-back only after waiting at least 1 μ s after they have been written.

8.5 Register (0x14) Interrupt configuration register

Bit	7	6	5	4	3	2	1	0
Read/Write	R/W	R/W	R/W	R/W	R/W	R/W	R/W	R/W
Reset Value	0	0	1	1	0	1	0	1
Content	pad_int_drv				int_en	int_od	int_pol	int_mode

- int_mode:(bit offset: 0) INT mode:

Values	Description
0b0 (0x0)	pulsed
0b1 (0x1)	latched

- int_pol:(bit offset: 1) INT polarity:

Values	Description
0b0 (0x0)	active low
0b1 (0x1)	active high

- int_od:(bit offset: 2) INT pin:

Values	Description
0b0 (0x0)	push-pull
0b1 (0x1)	Open_drain

- int_en:(bit offset: 3) Interrupt enabling:

Values	Description
0b0 (0x0)	disabled
0b1 (0x1)	enabled

- pad_int_drv:(bit offset: 4) Pad drive strength for INT (MSB should be set in INT open drain config only.) Note: these register fields should be read-back only after waiting at least 1 μ s after they have been written

8.6 Register (0x15) INT source selection

Bit	7	6	5	4	3	2	1	0
Read/Write	R	R	R	R	R/W	R/W	R/W	R/W
Reset Value	0	0	0	0	0	0	0	0
Content	reserved_7_4				oor_p_en	fifo_th...	fifo_fu...	drdy_da...

- drdy_data_reg_en:(bit offset: 0) Data Ready
- fifo_full_en:(bit offset: 1) FIFO Full (FIFO_FULL)
- fifo_ths_en:(bit offset: 2) FIFO Threshold/Watermark (FIFO_THS)
- oor_p_en:(bit offset: 3) Pressure data out-of-range (OOR_P)
- reserved_7_4:(bit offset: 4) reserved
- 0x00: Disable INT. Except the POR and Software_reset completion

8.7 Register (0x16) FIFO configuration

Bit	7	6	5	4	3	2	1	0
Read/Write	R	R	R/W	R/W	R/W	R/W	R/W	R/W
Reset Value	0	0	0	0	0	0	0	0
Content	reserved_7_6		fifo_mode	fifo_threshold				

- fifo_threshold:(bit offset: 0):

Values	Description
0x0	Disable the FIFO threshold
0x1F	Set the FIFO threshold to 31 frames

- fifo_mode:(bit offset: 5) FIFO Mode CTRL:

Value	Description
0b0 (0x0)	Stream-to-FIFO Mode
0b1 (0x1)	STOP-on-FULL Mode

- reserved_7_6:(bit offset: 6) reserved

8.8 Register (0x17) Number of frames in FIFO

Bit	7	6	5	4	3	2	1	0
Read/Write	R	R	R	R	R	R	R	R
Reset Value	0	0	0	0	0	0	0	0
Content	reserved_7_6			fifo_count				

- fifo_count:(bit offset: 0) Number of frames in FIFO
- reserved_7_6:(bit offset: 6) reserved

8.9 Register (0x18) FIFO selection configuration

Bit	7	6	5	4	3	2	1	0
Read/Write	R	R	R	R/W	R/W	R/W	R/W	R/W
Reset Value	0	0	0	0	0	0	0	0
Content	reserved_7_5			fifo_dec_sel			fifo_frame_sel	

- fifo_frame_sel:(bit offset: 0) FIFO frame data source selection

Value	Description
0b00 (0x0)	FIFO not enabled
0b01 (0x1)	Temperature data
0b10 (0x2)	Pressure data
0b11 (0x3)	Pressure and temperature data

- fifo_dec_sel:(bit offset: 2) FIFO decimation selection
- reserved_7_5:(bit offset: 5) reserved

8.10 Register (0x1C) Reserved

Bit	7	6	5	4	3	2	1	0
Read/Write	R	R	R	R	R	R	R	R
Reset Value	0	0	0	0	0	0	0	0
Content	reserved_reg0							

- reserved_reg0:(bit offset: 0) reserved (read returns always 0x00)

8.11 Register (0x1D) Temperature XLSB

Bit	7	6	5	4	3	2	1	0
Read/Write	R	R	R	R	R	R	R	R
Reset Value	0	1	1	1	1	1	1	1
Content	temp_7_0							

- temp_7_0:(bit offset: 0) Temperature XLSB Temp_Data arithmetic representation: (signed, 24, 16) [degC]

8.12 Register (0x1E) Temperature LSB

Bit	7	6	5	4	3	2	1	0
Read/Write	R	R	R	R	R	R	R	R
Reset Value	0	1	1	1	1	1	1	1
Content	temp_15_8							

- temp_15_8:(bit offset: 0) Temperature LSB Temp_Data arithmetic representation: (signed, 24, 16) [degC]

8.13 Register (0x1F) Temperature MSB

Bit	7	6	5	4	3	2	1	0
Read/Write	R	R	R	R	R	R	R	R
Reset Value	0	1	1	1	1	1	1	1
Content	temp_23_16							

- temp_23_16:(bit offset: 0) Temperature MSB Temp_Data arithmetic representation: (signed, 24, 16) [degC]

8.14 Register (0x20) Pressure XLSB

Bit	7	6	5	4	3	2	1	0
Read/Write	R	R	R	R	R	R	R	R
Reset Value	0	1	1	1	1	1	1	1
Content	press_7_0							

- press_7_0:(bit offset: 0) Pressure XLSB Press_Data arithmetic representation: (signed, 24, 6) [Pa]

8.15 Register (0x21) Pressure LSB

Bit	7	6	5	4	3	2	1	0
Read/Write	R	R	R	R	R	R	R	R
Reset Value	0	1	1	1	1	1	1	1
Content	press_15_8							

- press_15_8:(bit offset: 0) Pressure LSB Press_Data arithmetic representation: (signed, 24, 6) [Pa]

8.16 Register (0x22) Pressure MSB

Bit	7	6	5	4	3	2	1	0
Read/Write	R	R	R	R	R	R	R	R
Reset Value	0	1	1	1	1	1	1	1
Content	press_23_16							

- press_23_16:(bit offset: 0) Pressure MSB Press_Data arithmetic representation: (signed, 24, 6) [Pa]

8.17 Register (0x23) Reserved

Bit	7	6	5	4	3	2	1	0
Read/Write	R	R	R	R	R	R	R	R
Reset Value	0	0	0	0	0	0	0	0
Content	reserved_reg1							

- reserved_reg1:(bit offset: 0) reserved (read returns always 0x00)

8.18 Register (0x24) Reserved

Bit	7	6	5	4	3	2	1	0
Read/Write	R	R	R	R	R	R	R	R
Reset Value	0	0	0	0	0	0	0	0
Content	reserved_reg2							

- reserved_reg2:(bit offset: 0) reserved (read returns always 0x00)

8.19 Register (0x25) Reserved

Bit	7	6	5	4	3	2	1	0
Read/Write	R	R	R	R	R	R	R	R
Reset Value	0	0	0	0	0	0	0	0
Content	reserved_reg3							

- reserved_reg3:(bit offset: 0) reserved (read returns always 0x00)

8.20 Register (0x26) Reserved

Bit	7	6	5	4	3	2	1	0
Read/Write	R	R	R	R	R	R	R	R
Reset Value	0	0	0	0	0	0	0	0
Content	reserved_reg4							

- reserved_reg4:(bit offset: 0) reserved (read returns always 0x00)

8.21 Register (0x27) Interrupt status register (clear-on-read).

Bit	7	6	5	4	3	2	1	0
Read/Write	R	R	R	R	R	R	R	R
Reset Value	0	0	0	0	0	0	0	0
Content	reserved_7_5			por	oor_p	fifo_ths	fifo_full	drdy_da...

- drdy_data_reg:(bit offset: 0) Data Ready
- fifo_full:(bit offset: 1) FIFO Full
- fifo_ths:(bit offset: 2) FIFO Threshold/Watermark
- oor_p:(bit offset: 3) Pressure data out-of-range
- por:(bit offset: 4) POR or software reset complete
- reserved_7_5:(bit offset: 5) reserved

8.22 Register (0x28) Status register

Bit	7	6	5	4	3	2	1	0
Read/Write	R	R	R	R	R	R	R	R
Reset Value	0	0	0	0	0	0	1	0
Content	reserved_7	reserved_6_5		reserved_4	status_...	status_...	status_...	reserved_0

- reserved_0:(bit offset: 0)
- status_nvm_rdy:(bit offset: 1) If asserted, device is ready for NVM operations
- status_nvm_err:(bit offset: 2) If asserted, indicates an NVM error, due to at least one of the following reasons:
 - PMU power transition fail on NVM power request
 - NVM timeout errors in P/E
 - NVM Charge Pump voltage fail in PROGRAM/ERASE
 - During last boot/load command, ECC has detected 2+ errors This bit is cleared/updated upon a new NVM command, if Boot command is executed.
- status_nvm_cmd_err:(bit offset: 3) TODO UPDATE ME
- reserved_4:(bit offset: 4)
- reserved_6_5:(bit offset: 5) reserved
- reserved_7:(bit offset: 7)

8.23 Register (0x29) FIFO output port

Bit	7	6	5	4	3	2	1	0
Read/Write	R	R	R	R	R	R	R	R
Reset Value	0	1	1	1	1	1	1	1
Content	fifo_data							

- fifo_data:(bit offset: 0) FIFO read data

8.24 Register (0x2B) NVM address

Bit	7	6	5	4	3	2	1	0
Read/Write	R	R/W	R/W	R/W	R/W	R/W	R/W	R/W
Reset Value	0	0	0	0	0	0	0	0
Content	reserved_7	nvm_pro...	nvm_row_address					

- nvm_row_address:(bit offset: 0) NVM (row) address (Note: this field cannot be written during an ongoing P/T conversion.)
- nvm_prog_en:(bit offset: 6) If set, enables NVM programming (Note: this field cannot be written during an ongoing P/ T conversion.)
- reserved_7:(bit offset: 7) reserved

8.25 Register (0x2C) NVM data (LSB)

Bit	7	6	5	4	3	2	1	0
Read/Write	R/W	R/W	R/W	R/W	R/W	R/W	R/W	R/W
Reset Value	0	0	0	0	0	0	0	0
Content	nvm_data_lsb							

- nvm_data_lsb:(bit offset: 0) NVM Data LSB, bits 7:0 Note: This field cannot be written during an ongoing conversion and should be read-back only after an idle time of at least 1 μ s.

8.26 Register (0x2D) NVM data (MSB)

Bit	7	6	5	4	3	2	1	0
Read/Write	R/W	R/W	R/W	R/W	R/W	R/W	R/W	R/W
Reset Value	0	0	0	0	0	0	0	0
Content	nvm_data_msb							

- nvm_data_msb:(bit offset: 0) NVM Data MSB, bits 15:8 Note: This field cannot be written during an ongoing conversion and should be read-back only after an idle time of at least 1 μ s.

8.27 Register (0x30) DSP configuration

Bit	7	6	5	4	3	2	1	0
Read/Write	R/W	R/W	R/W	R/W	R/W	R/W	R/W	R/W
Reset Value	0	0	0	0	0	0	1	1
Content	oor_sel...	fifo_se...	shdw_- se...	fifo_se...	shdw_- se...	iir_flu...	reserved_0_1	

- iir_flush_forced_en:(bit offset: 2) If set, an IIR filter flush is executed in FORCED mode (Note: This field cannot be written during an ongoing P/T conversion.)
- shdw_sel_iir_t:(bit offset: 3) Temperature Data Registers IIR selection temperature data (Note: This field cannot be written during an ongoing P/T conversion.)

Value	Description
0b0 (0x0)	value selected before IIR filter
0b1 (0x1)	value selected after IIR filter

- fifo_sel_iir_t:(bit offset: 4) FIFO IIR selection temperature data (Note: This field cannot be written during an ongoing P/T conversion.)

Value	Description
0b0 (0x0)	value selected before IIR filter
0b1 (0x1)	value selected after IIR filter

- shdw_sel_iir_p:(bit offset: 5) Shadow Registers IIR selection pressure data (Note: This field cannot be written during an ongoing P/T conversion.)

Value	Description
0b0 (0x0)	value selected before IIR filter
0b1 (0x1)	value selected after IIR filter

- fifo_sel_iir_p:(bit offset: 6) FIFO IIR selection pressure data (Note: This field cannot be written during an ongoing P/T conversion.)

Value	Description
0b0 (0x0)	value selected before IIR filter
0b1 (0x1)	value selected after IIR filter

- oor_sel_iir_p:(bit offset: 7) OOR IIR selection (Note: This field cannot be written during an ongoing P/T conversion.)

Value	Description
0b0 (0x0)	value selected before IIR filter
0b1 (0x1)	value selected after IIR filter

8.28 Register (0x31) DSP IIR configuration

Bit	7	6	5	4	3	2	1	0
Read/Write	R	R	R	R	R	R/W	R/W	R/W
Reset Value	0	0	0	0	0	0	0	0
Content	reserved_7_6		set_iir_p			set_iir_t		

- set_iir_t:(bit offset: 0) Pressure IIR LPF band filter selection. The filter coefficient (Note: This field cannot be written during an ongoing P/T conversion.)

Value	Description
0b000 (0x0)	Bypass
0b001 (0x1)	Filter Coefficient: 1
0b010 (0x2)	Filter Coefficient: 3
0b011 (0x3)	Filter Coefficient: 7
0b100 (0x4)	Filter Coefficient: 15
0b101 (0x5)	Filter Coefficient: 31
0b110 (0x6)	Filter Coefficient: 63
0b111 (0x7)	Filter Coefficient: 127

- set_iir_p:(bit offset: 3) Pressure IIR LPF band filter selection. The filter coefficient. (Note: This field cannot be written during an ongoing P/T conversion.)

Value	Description
0b000 (0x0)	Bypass
0b001 (0x1)	Filter Coefficient: 1
0b010 (0x2)	Filter Coefficient: 3
0b011 (0x3)	Filter Coefficient: 7
0b100 (0x4)	Filter Coefficient: 15
0b101 (0x5)	Filter Coefficient: 31
0b110 (0x6)	Filter Coefficient: 63
0b111 (0x7)	Filter Coefficient: 127

- reserved_7_6:(bit offset: 6) reserved
- reserved:write 0x0.

8.29 Register (0x32) Out-of-range (OOR) threshold for pressure (LSB)

Bit	7	6	5	4	3	2	1	0
Read/Write	R/W	R/W	R/W	R/W	R/W	R/W	R/W	R/W
Reset Value	0	0	0	0	0	0	0	0
Content	oor_thr_p_7_0							

- oor_thr_p_7_0:(bit offset: 0) OOR pressure threshold, bits 7:0

8.30 Register (0x33) Out-of-range (OOR) threshold for pressure (MSB)

Bit	7	6	5	4	3	2	1	0
Read/Write	R/W	R/W	R/W	R/W	R/W	R/W	R/W	R/W
Reset Value	0	0	0	0	0	0	0	0
Content	oor_thr_p_15_8							

- oor_thr_p_15_8:(bit offset: 0) OOR pressure threshold, bits 15:8

8.31 Register (0x34) Out-of-range (OOR) range configuration

Bit	7	6	5	4	3	2	1	0
Read/Write	R/W	R/W	R/W	R/W	R/W	R/W	R/W	R/W
Reset Value	0	0	0	0	0	0	0	0
Content	oor_range_p							

- oor_range_p:(bit offset: 0) OOR pressure range

8.32 Register (0x35) Out-of-range (OOR) configuration

Bit	7	6	5	4	3	2	1	0	
Read/Write	R/W	R/W	R	R	R	R	R	R/W	
Reset Value	0	0	0	0	0	0	0	0	
Content	cnt_lim		reserved_5_1					oor_thr...	

- oor_thr_p_16:(bit offset: 0) OOR pressure threshold, bit 16
- reserved_5_1:(bit offset: 1) reserved
- cnt_lim:(bit offset: 6) OOR count limit (Note: This field cannot be written during an ongoing P/T conversion.)

Value	Description
0b000 (0x0)	Counter limit of 1
0b11 (0x3)	Counter limit of 3
0b111 (0x7)	Counter limit of 7
0b1111 (0xF)	Counter limit of 15

8.33 Register (0x36) Over-sampling rate (OSR) configuration

Bit	7	6	5	4	3	2	1	0
Read/Write	R	R/W	R/W	R/W	R/W	R/W	R/W	R/W
Reset Value	0	0	0	0	0	0	0	0
Content	reserved_7	press_en	osr_p			osr_t		

- osr_t:(bit offset: 0) OSR_T selection

Value	Description
0b000 (0x0)	oversampling rate = 1x
0b001 (0x1)	oversampling rate = 2x
0b010 (0x2)	oversampling rate = 4x
0b011 (0x3)	oversampling rate = 8x
0b100 (0x4)	oversampling rate = 16x
0b101 (0x5)	oversampling rate = 32x
0b110 (0x6)	oversampling rate = 64x
0b111 (0x7)	oversampling rate = 128x

- osr_p:(bit offset: 3) OSR_P selection

Value	Description
0b000 (0x0)	oversampling rate = 1x
0b001 (0x1)	oversampling rate = 2x
0b010 (0x2)	oversampling rate = 4x
0b011 (0x3)	oversampling rate = 8x
0b100 (0x4)	oversampling rate = 16x

0b101 (0x5)	oversampling rate = 32x
0b110 (0x6)	oversampling rate = 64x
0b111 (0x7)	oversampling rate = 128x

- **press_en:**(bit offset: 6) If set, enables sensor pressure measurements. Otherwise, temperature only measurements is done.
- **reserved_7:**(bit offset: 7) reserved
- **Note:** the configured ODR might be invalid in combination with OSR configuration. This is observable with the `ODR_CONFIG.flag odr_is_valid`. If configured ODR/OSR settings are invalid, default OSR settings will be used. The effective OSR settings for P/T can be read from `osr_t_eff` and `osr_p_eff`

8.34 Register (0x37) Output data rate (ODR) configuration

Bit	7	6	5	4	3	2	1	0	
Read/Write	R/W	R/W	R/W	R/W	R/W	R/W	R/W	R/W	
Reset Value	0	1	1	1	0	0	0	0	
Content	deep_dis	odr					pwr_mode		

- **pwr_mode:**(bit offset: 0) Power mode configuration The user can request a dedicated power mode by writing this field. A read returns the actual mode the device is in. **Note:** This bit is cleared again upon transition from FORCED to STANDBY mode.

Value	Description
0b00 (0x0)	Standby mode: no measurement ongoing
0b01 (0x1)	Normal mode: measurement in configured ODR grid
0b10 (0x2)	Forced mode: forced one-time measurement
0b11 (0x3)	Non-Stop mode: repetitive measurements without further duty-cycling

- **odr:**(bit offset: 2) ODR Selection. **Note:** the configured ODR might be invalid in combination with OSR configuration This is observable with the flag `odr_is_valid`. If configured ODR/OSR settings are invalid, default OSR settings will be used. The effective OSR settings for P/T can be read from `osr_t_eff` and `osr_p_eff`

Value	Description
0x0	240.000 Hz (Error = 0.00)
0x1	218.537 Hz (Error = 0.67)
0x2	199.111 Hz (Error = 0.44)
0x3	179.200 Hz (Error = 0.44)
0x4	160.000 Hz (Error = 0.00)
0x5	149.333 Hz (Error = 0.44)
0x6	140.000 Hz (Error = 0.00)
0x7	129.855 Hz (Error = 0.11)
0x8	120.000 Hz (Error = 0.00)
0x9	110.164 Hz (Error = 0.15)
0xA	100.299 Hz (Error = 0.30)
0xB	89.600 Hz (Error = 0.44)
0xC	80.000 Hz (Error = 0.00)
0xD	70.000 Hz (Error = 0.00)
0xE	60.000 Hz (Error = 0.00)
0xF	50.056 Hz (Error = 0.11)
0x10	45.025 Hz (Error = 0.06)
0x11	40.000 Hz (Error = 0.00)
0x12	35.000 Hz (Error = 0.00)
0x13	30.000 Hz (Error = 0.00)
0x14	25.005 Hz (Error = 0.02)
0x15	20.000 Hz (Error = 0.00)

0x16	15.000 Hz (Error = 0.00)
0x17	10.000 Hz (Error = 0.00)
0x18	5.000 Hz (Error = 0.00)
0x19	4.000 Hz (Error = 0.00)
0x1A	3.000 Hz (Error = 0.00)
0x1B	2.000 Hz (Error = 0.00)
0x1C	1.000 Hz (Error = 0.00)
0x1D	0.500 Hz (Error = 0.00)
0x1E	0.250 Hz (Error = 0.00)
0x1F	0.125 Hz (Error = 0.00)

- **deep_dis:**(bit offset: 7) If asserted, disables the deep standby (Note: This field cannot be changed during an ongoing P/T conversion.)

8.35 Register (0x38) Effective over-sampling rate (OSR) configuration

Bit	7	6	5	4	3	2	1	0
Read/Write	R	R	R	R	R	R	R	R
Reset Value	0	0	0	0	0	0	0	0
Content	odr_is_...	reserved_6	osr_p_eff			osr_t_eff		

- **osr_t_eff:**(bit offset: 0) OSR_T effective selection. Effectively selected OSR for temperature. Please refer to OSR_ - CONFIG for encodings.
- **osr_p_eff:**(bit offset: 3) OSR_P effective selection. Effectively selected OSR for pressure. Please refer to OSR_ - CONFIG for encodings.
- **reserved_6:**(bit offset: 6) reserved
- **odr_is_valid:**(bit offset: 7) If asserted, the ODR parametrization is valid (This is checked on every change in ODR and OSR configuration registers.)
- The values that are effective when the configured ODR might be invalid in combination with OSR configuration This is observable with the ODR_CONFIG.flag odr_is_valid

8.36 Register (0x7E) Command Register

Bit	7	6	5	4	3	2	1	0
Read/Write	R/W	R/W	R/W	R/W	R/W	R/W	R/W	R/W
Reset Value	0	0	0	0	0	0	0	0
Content	cmd							

- **cmd:**(bit offset: 0) Available commands (Note: Register will always read as 0x00): no other values must be written to this register

Value	Description
0xB6	Triggers a reset, all user configuration settings are overwritten with their default state. If this register is set using I2C, an ACK will NOT be transmitted to the host
0xA5	Last CMD in the sequence 0x5D, 0xA5 which enables the read of the NVM. If another CMD is sent within the sequence, the sequence for triggering the NVM read is reset.
0xA0	Last CMD in the sequence 0x5D, 0xA0 which enables the write of the NVM. If another CMD is sent within the sequence, the sequence for triggering the NVM programming is reset.

0x5D	First CMD in the sequence 0x5D, 0xA0/0xA5 which enables the write/read of the NVM. If another CMD is sent within the sequence, the sequence for enabling the NVM prog mode is reset.
0x0	reserved. No command.

8.37 Register (0x7F) Register Map paging ctrl register

Bit	7	6	5	4	3	2	1	0
Read/Write	R/W	R	R	R/W	R	R	R	R
Reset Value	0	0	0	0	0	0	0	0
Content	paging_en	reserved_6_5		target_...	reserved_3_0			

- reserved_3_0:(bit offset: 0) reserved
- target_page:(bit offset: 4)

Value	Description
0b0 (0x0)	User data/config page
0b1 (0x1)	Extendend mode trim/test page

- reserved_6_5:(bit offset: 5) reserved
- paging_en:(bit offset: 7)

Value	Description
0b0 (0x0)	disable paging (and extended mode)
0b1 (0x1)	enable paging

9 Package⁵

9.1 BMP585 Package Outline Dimensions

Package outline drawings are given in the following figures. Unless stated otherwise, dimensions are in millimeters, tolerances are $\pm 0.05\text{mm}$.

9.1.1 Top View

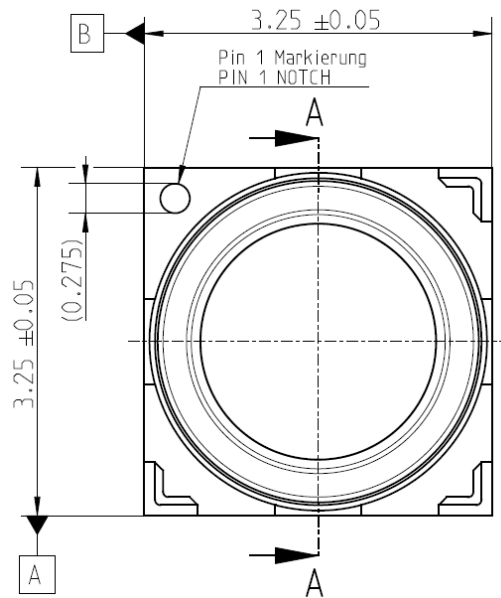


Figure 28: BMP585 top view

⁵ unless otherwise specified dimensions are in millimeters, tolerances ± 0.05

9.1.2 Bottom View

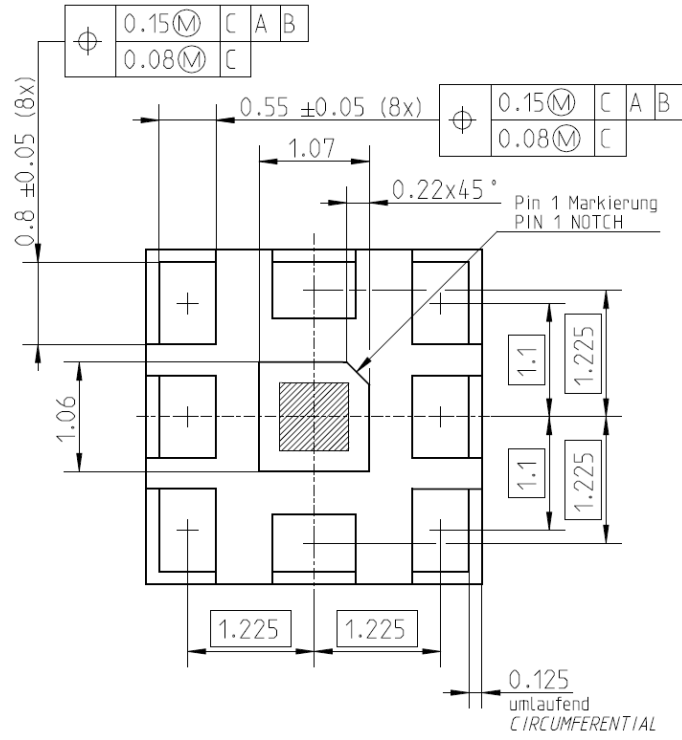


Figure 29: BMP585 bottom view

9.1.3 Side view

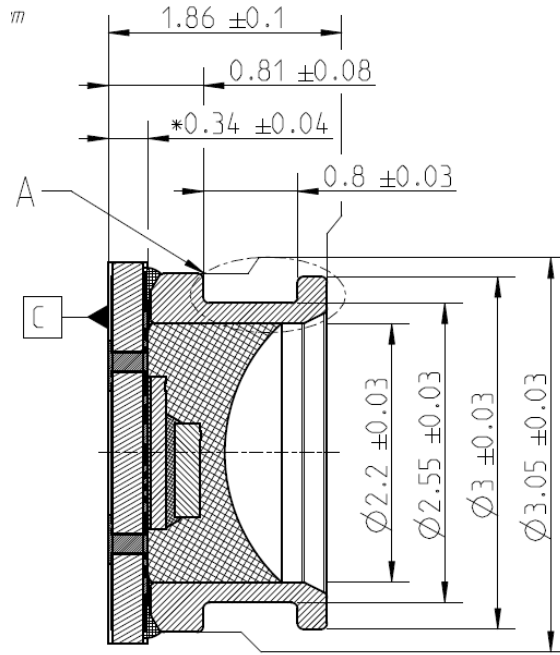


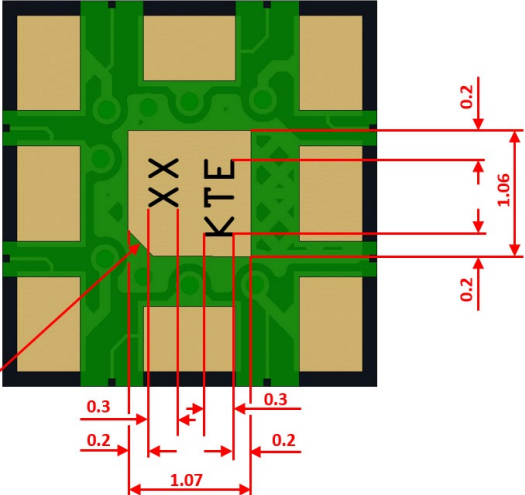
Figure 30: BMP585 side view

9.2 Device Marking

The BMP585 device lid shows the following laser-marking:


9.2.1 Mass Production Devices

Table 27: Package markings

Marking	Name	Symbol	Description
	Date Code	N/A	no date code
	Product Number		1 digit (alphanumeric), fixed; for identification of device type:
	Supply Chain ID		1 digit (alphanumeric), fixed;
	Lot Counter (Trace Code)	XXX	3 digits (alphanumeric 0–Z), variable, no reset; $36^3 = 46656$ sublots/supplier/device type

9.2.2 Engineering Samples

Table 28: Marking of engineering samples

Position	Name	Symbol	Remark
Upper Line	Lot counter	00, 01, ...	Two numeric digits; Engineering Lot Counter (Trace Code)
Lower Line left & middle	Sublot ID	KT	two alphanumeric digits; Product- and Supply Chain identifier
Lower Line right	Eng. Sample ID	E	single alphanumeric digit; Engineering identifier
Corner of pin 1	Pin 1 Orientation Marker		Solid circle (on top side of substrate; defined by opening in solder resist) with diameter of 275 µm

9.3 Moisture Sensitivity Level and Soldering

9.3.1 MSL and device storage

The BMP585 is classified as MSL 3 (moisture sensitivity level) according to IPC/JEDEC standards J-STD-020E and JSTD-033D.

To ensure good solder-ability, the devices shall be stored at room temperature (20°C) before.

9.3.2 Soldering

The device has been tested for soldering according to J-STD-002E with Pb-free soldering.

The device has been tested for a total of up to 3 reflow soldering cycles. This could be a situation where a PCB is mounted with devices from both sides (i.e., 2 reflow cycles necessary) and where in the next step an additional re-work cycle could be required (1 reflow).

The soldering process can lead to an offset shift. The physical origin of this shift is not material aging, but mechanical hysteresis frozen in by the soldering temperature cycle. Thus, the shift is temporary and ceases within 24 h after soldering.

Multiple reflow cycles will not add up in multiple offset shifts. The device is in the same condition after every solder reflow cycle.

Manual unsoldering can lead to further offset shift, especially if the soldering temperature and / or soldering time is above the given values of 260°C and 40 s.

Avoid contact of the device with liquids or small particles.

The minimum height of the solder after reflow shall be at least 50 µm. This is required for a good mechanical decoupling between sensor device and the printed circuit board (PCB).

9.3.3 Landing pattern

Bosch Sensortec suggests the BMP585 outline Dimensions (see section 9.1.2 “Bottom View”) as landing pattern.

When designing the solder paste silk print opening window, avoid excess solder paste to allow good reflow.

It is recommended to use a land pattern with a size of Footprint +25 µm on each side. We recommend at least 200 µm distance between the pads. We do not recommend vias or traces under the BMP585. Furthermore, it is recommended that there is no solder mask under the sensor. The recommended horizontal clearance for the solder mask is 20 µm on each side. If the solder mask or other material underneath the sensor gets in contact with the sensor, there may be a negative impact on performance.

9.4 Environmental Safety

9.4.1 RoHS

The BMP585 sensor meets the requirements of the EC restriction of hazardous substances (RoHS) directive, see also: RoHS – Directive 2011/65/EU and its amendments, including the amendment 2015/863/EU on the restriction of the use of certain hazardous substances in electrical and electronic equipment.

9.4.2 Halogen content

The BMP585 is halogen-free. For more details on the analysis results please contact your Bosch Sensortec representative.

9.5 Internal Package Structure

Within the scope of Bosch Sensortec's ambition to improve its products and secure the mass product supply, Bosch Sensortec qualifies additional sources (e.g. 2nd source) for the LGA package of the BMP585.

While Bosch Sensortec took care that all of the technical package parameters are described above are 100% identical for all sources, there can be differences in the chemical content and the internal structural between the different package sources.

However, as secured by the extensive product qualification process of Bosch Sensortec, this has no impact to the usage or to the quality of the BMP585 product.

11 Legal disclaimer

i. Engineering samples

Engineering Samples are marked with an asterisk (*), (E) or (e). Samples may vary from the valid technical specifications of the product series contained in this data sheet. They are therefore not intended or fit for resale to third parties or for use in end products. Their sole purpose is internal client testing. The testing of an engineering sample may in no way replace the testing of a product series. Bosch Sensortec assumes no liability for the use of engineering samples. The Purchaser shall indemnify Bosch Sensortec from all claims arising from the use of engineering samples.

ii. Product use

Bosch Sensortec products are developed for the consumer goods industry. They may only be used within the parameters of this product data sheet. They are not fit for use in life-sustaining or safety-critical systems. Safety-critical systems are those for which a malfunction is expected to lead to bodily harm, death or severe property damage. In addition, they shall not be used directly or indirectly for military purposes (including but not limited to nuclear, chemical or biological proliferation of weapons or development of missile technology), nuclear power, deep sea or space applications (including but not limited to satellite technology).

Bosch Sensortec products are released on the basis of the legal and normative requirements relevant to the Bosch Sensortec product for use in the following geographical target market: BE, BG, DK, DE, EE, FI, FR, GR, IE, IT, HR, LV, LT, LU, MT, NL, AT, PL, PT, RO, SE, SK, SI, ES, CZ, HU, CY, US, CN, JP, KR, TW. If you need further information or have further requirements, please contact your local sales contact.

The resale and/or use of Bosch Sensortec products are at the purchaser's own risk and his own responsibility. The examination of fitness for the intended use is the sole responsibility of the purchaser.

The purchaser shall indemnify Bosch Sensortec from all third party claims arising from any product use not covered by the parameters of this product data sheet or not approved by Bosch Sensortec and reimburse Bosch Sensortec for all costs in connection with such claims.

The purchaser accepts the responsibility to monitor the market for the purchased products, particularly with regard to product safety, and to inform Bosch Sensortec without delay of all safety-critical incidents.

iii. Application examples and hints

With respect to any examples or hints given herein, any typical values stated herein and/or any information regarding the application of the device, Bosch Sensortec hereby disclaims any and all warranties and liabilities of any kind, including without limitation warranties of non-infringement of intellectual property rights or copyrights of any third party. The information given in this document shall in no event be regarded as a guarantee of conditions or characteristics. They are provided for illustrative purposes only and no evaluation regarding infringement of intellectual property rights or copyrights or regarding functionality, performance or error has been made.

12 Document history and modification

Rev. No	Chapter	Description of modification/changes	Date
0.1	all	Initial release	March 2022
0.2	7	New chip ID	August 2022
1.0		Final datasheet	May 2023

Bosch Sensortec GmbH
Gerhard-Kindler-Straße 9
72770 Reutlingen / Germany

contact@bosch-sensortec.com
www.bosch-sensortec.com

Modifications reserved
Document number: BST-BMP585-DS003-00