

Description

The BP2327A is a high precision non-isolated buck APFC LED driver, specially designed for universal mains with constant current control. The driver with on-chip PFC circuit achieves high power factor, low THD and high efficiency.

The BP2327A integrates a 650V power MOSFET, utilizes patent pending floating ground structure, and operates in Critical Conduction Mode. The switching loss is reduced and the inductor is fully utilized. The inductor current is sensed during the whole switching cycle and limited cycle by cycle. With few external components, it achieves high precision output current, excellent line regulation and load regulation.

The BP2327A offers full of protection functions to improve the system reliability, including LED load open circuit protection, LED load short protection, VCC under voltage protection, Current Sense resistor open circuit protection, and over temperature protection. All the protection functions are auto-recovery. The system reliability is further improved by the thermal regulation function. The output current is reduced when the driver is in condition of over temperature.

Features

- Active PFC for High Power Factor and Low THD
- Integrated with 650V Power MOSFET
- System Efficiency up to 95%
- $\pm 3\%$ LED Output Current Accuracy
- Excellent Line and Load Regulation
- Critical Conduction Mode Operation
- Ultra Low (33uA) Start Up Current
- Ultra Low (300uA) Operating Current
- LED Short/Open Protection
- Current Sensing Resistor Open Protection
- Cycle by Cycle Current Limit
- VCC Under Voltage Protection
- Auto Fault Recovery
- Thermal Regulation Function
- Available in SOP-8 Package

Applications

- LED retrofit lamps, Bulb, Spot Light, GU10/E27
- LED PAR30, PAR38 Lamp
- LED tube, LED String
- Other LED Lighting

Typical Application

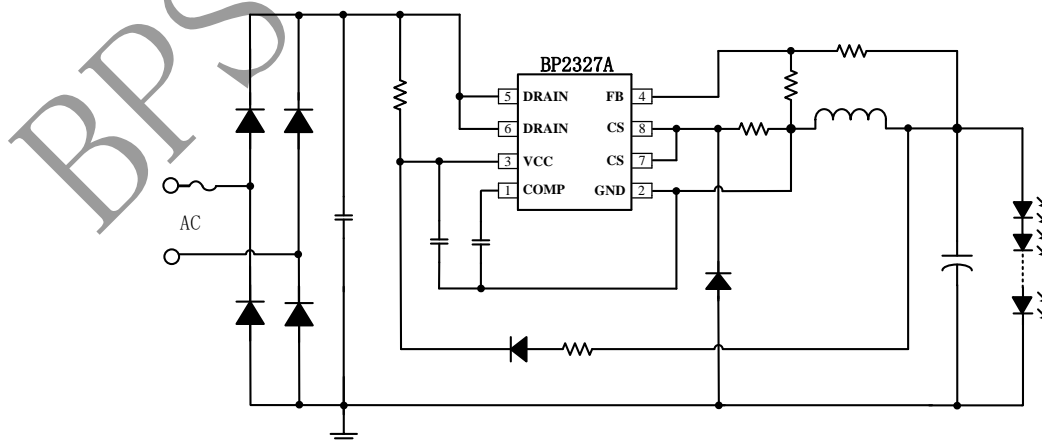


Figure 1. Typical application circuit for BP2327A

Ordering Information

Part Number	Package	Operating Temperature	Package Method	Marking
BP2327A	SOP8	-40 °C to 105 °C	Tape 2,500 Piece/Roll	BP2327A XXXXXY WXY

Pin Configuration and Marking Information

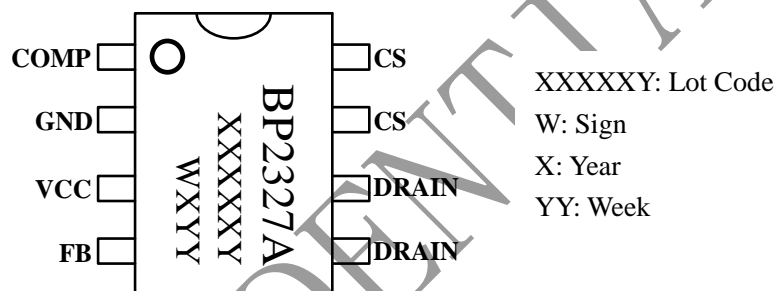


Figure 2. Pin configuration

Pin Definition

Pin No.	Name	Description
1	COMP	Loop Compensation Node. This pin connects a capacitor to GND for stabilization of the control loop, achieving accurate LED current, high Power Factor and low THD.
2	GND	Ground.
3	VCC	Power Supply Pin. Connect a bypass capacitor from this pin to GND.
4	FB	Feedback Voltage detection Pin. This pin detects the inductor demagnetization signal and the output voltage.
5,6	DRAIN	Internal HV Power MOSFET Drain.
7,8	CS	Current Sense Pin. Connect a resistor to GND to sense the inductor current.

Absolute Maximum Ratings (note1)

Symbol	Parameters	Range	Units
V _{DS}	Internal HV MOSFET Drain to Source voltage	-0.3~650	V
I _{CC_MAX}	VCC pin maximum sink current	10	mA
COMP	Compensation pin voltage	-0.3~6	V
FB	Feedback Voltage detection Pin	-0.3~6	V
CS	Current sense pin	-0.3~6	V
P _{DMAX}	Power dissipation (note2)	0.45	W
θ _{JA}	Thermal resistance (Junction to Ambient)	145	°C/W
T _J	Operating junction temperature	-40 to 150	°C
T _{STG}	Storage temperature range	-55 to 150	°C
	ESD (note3)	2	KV

Note 1: Stresses beyond those listed under “absolute maximum ratings” may cause permanent damage to the device. Under “recommended operating conditions” the device operation is assured, but some particular parameter may not be achieved. The electrical characteristics table defines the operation range of the device, the electrical characteristics is assured on DC and AC voltage by test program. For the parameters without minimum and maximum value in the EC table, the typical value defines the operation range, the accuracy is not guaranteed by spec.

Note 2: The maximum power dissipation decrease if temperature rise, it is decided by T_{JMAX}, θ_{JA}, and environment temperature (T_A). The maximum power dissipation is the lower one between P_{DMAX} = (T_{JMAX} - T_A) / θ_{JA} and the number listed in the maximum table.

Note 3: Human Body mode, 100pF capacitor discharge on 1.5KΩ resistor

Recommended Operation Conditions

Symbol	Parameter	Range	Unit
V _{CC}	Power supply voltage	8.5 ~ 20	V
I _{LED 1}	Output LED current @ V _{out} =72V (Input voltage 176V~265V)	< 240	mA
I _{LED 2}	Output LED current @ V _{out} =36V (Input voltage 176V~265V)	< 330	mA



晶丰明源半导体

BP2327A

Non-isolated Buck APFC LED Driver

Electrical Characteristics (Notes 4, 5) (Unless otherwise specified, $V_{CC}=17V$ and $T_A=25^\circ C$)

Symbol	Parameter	Conditions	Min	Typ	Max	Units
Supply Voltage Section						
V_{CC_ON}	V_{CC} Turn On Threshold	V_{CC} Rising		17		V
V_{CC_UVLO}	V_{CC} Turn Off Threshold	V_{CC} Falling		7.8		V
V_{CC_CLAMP}	V_{CC} Clamp Voltage			20		V
I_{CC_UVLO}	V_{CC} Startup Current	V_{CC} Rising, $V_{CC}=V_{CC_ON}-1V$		33	50	μA
I_{CC}	V_{CC} Operating Current	$F_{OP}=10kHz,$		300	500	μA
Feedback Section						
V_{FB_FALL}	FB Falling Edge Threshold Voltage	FB Falling		0.2		V
V_{FB_HYS}	FB Hysteresis Voltage	FB Rising		0.15		V
V_{FB_OVP}	FB Over Voltage Protection Threshold			1.6		V
T_{ON_MAX}	Maximum On Time			20		μs
T_{OFF_MIN}	Minimum Off Time			3		μs
T_{OFF_MAX}	Maximum Off Time			100		μs
Current Sense Section						
V_{CS_LIMIT}	CS Peak Voltage Limitation			1.5		V
T_{LEB_CS}	Leading Edge Blanking Time for Current Sense			350		ns
T_{DELAY}	Switch off Delay Time			200		ns
Compensation Section						
V_{REF}	Internal Reference Voltage		0.194	0.2	0.206	V
V_{COMP_LO}	COMP Low Clamp Voltage			1.5		V
V_{COMP}	COMP Linear Operating Voltage Range		1.5		3.9	V
V_{COMP_HI}	COMP High Clamp Voltage			4.0		V



晶丰明源半导体

BP2327A

Non-isolated Buck APFC LED Driver

Symbol	Parameter	Conditions	Min	Typ	Max	Units
Power MOSFET						
R _{DS_ON}	Static Drain-source On-resistance	V _{GS} =10V/I _{DS} =0.5A		4.5		Ω
BV _{DSS}	Drain-Source Breakdown Voltage	V _{GS} =0V/I _{DS} =250uA	650			V
I _{DSS}	Power MOSFET Drain Leakage Current	V _{GS} =0V/V _{DS} =300V			1	uA
Thermal Regulation Section						
T _{REG}	Thermal Regulation Temperature			150		°C

Note 4: production testing of the chip is performed at 25 °C.

Note 5: the maximum and minimum parameters specified are guaranteed by test, the typical value are guaranteed by design, characterization and statistical analysis

Internal Block Diagram

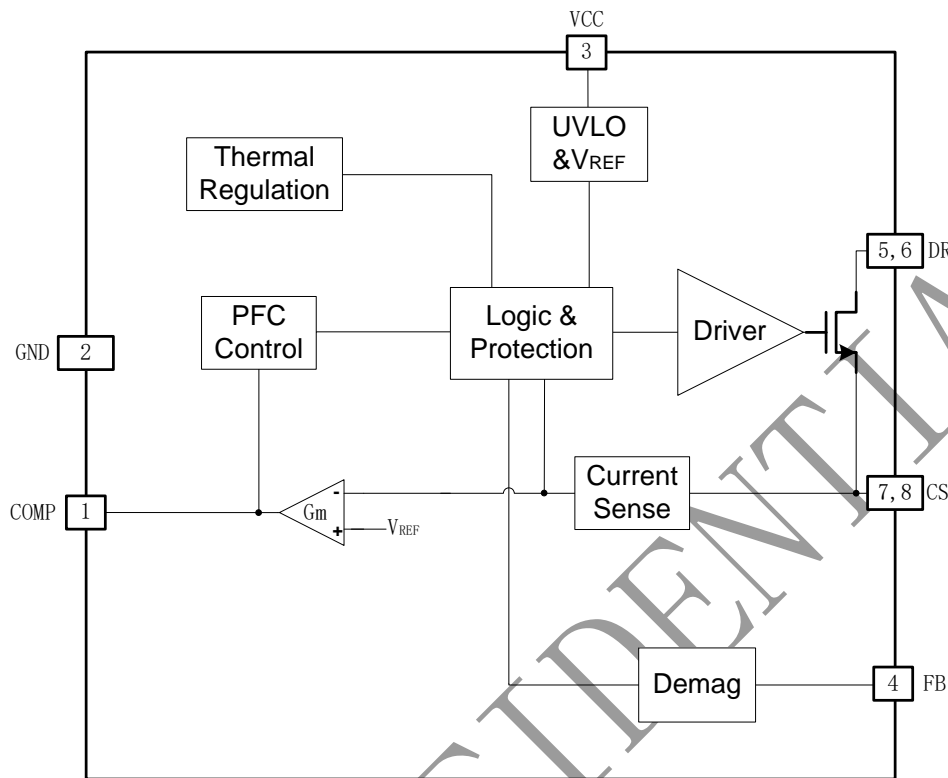


Figure 3. BP2327A Internal Block Diagram

Application Information

The BP2327A integrating a 650V power MOSFET, is a high precision non-isolated buck APFC LED driver, specially designed for universal mains with constant current control. The driver with on-chip PFC circuit achieves high power factor, low THD and high efficiency.

1 Start Up

After system powered on, the capacitor on VCC pin is charged up by the startup resistor. When the VCC pin voltage reaches the turn on threshold, the internal circuits start working. The COMP pin voltage is pulled up to 1.5V quickly, then the system starts switching from 10kHz frequency at the beginning, the COMP voltage rises up gradually, and the inductor peak current also rises up. The LED current hence achieves a soft start without overshoot. After the output voltage is built up, the

VCC power is supplied by the output voltage through a diode.

2 Constant Current Control

The BP2327A utilizes patent pending floating ground structure. The inductor current is sensed during the whole switching cycle, thus it achieves high precision output current control and also excellent line and load regulation.

The LED current can be calculated by the equation:

$$I_{OUT} \approx \frac{V_{REF}}{Rcs}$$

Where,

V_{REF} : Internal reference voltage

Rcs : Value of the current sensing resistor



晶丰明源半导体

BP2327A

Non-isolated Buck APFC LED Driver

3 Feedback Network

The BP2327A senses the zero current crossing information through the feedback network, the FB falling threshold voltage is set to 0.2V with 0.15V hysteresis. The FB pin is multiple used to detect output voltage, the OVP threshold voltage is 1.6V. The ratio of FB upper resistor to lower resistor can be set as:

$$\frac{R_{FBL}}{R_{FBL} + R_{FBH}} = \frac{1.6V}{V_{OVP}}$$

Where,

R_{FBL}: The lower resistor of the feedback network

R_{FBH}: The upper resistor of the feedback network

V_{OVP}: Output over voltage setting point

4 Thermal Regulation

The BP2327A integrates thermal regulation function. When the system is over temperature, the output current is gradually reduced; the output power and thermal dissipation are also reduced. The system temperature is regulated and the system reliability is improved. The typical thermal regulation temperature is set to 150°C internally.

5 Protection Functions

To improve the system reliability, BP2327A offers protection functions:

When the LED is open circuit, the output voltage will gradually rise up. The output voltage is sensed by the FB pin when power MOSFET is turned off. When FB voltage reaches the OVP threshold, it will trigger fault logic and the system stops switching.

When the LED is shorted circuit, the switching frequency will work under 10 kHz. Meanwhile, the output voltage is low and the VCC pin cannot be charged up by the output voltage, so the VCC pin voltage will gradually decrease and finally reaches the UVLO threshold.

After the system enters into fault condition, the VCC

voltage will decrease until it reaches UVLO threshold. Then the system will re-start again. If the fault condition is removed, the system will resume normal operation.

When the output is short circuit or the inductor is saturated, the CS peak voltage will be relatively high. When CS voltage reaches the internal limitation (1.5V), the power MOSFET will be turned off instantaneously. This cycle by cycle current limitation can help protecting the power MOSFET, the inductor and the output diode.

6 PCB Layouts

The following guidelines should be followed in BP2327A PCB layout:

Bypass Capacitor

Put the bypass capacitor close to VCC pin, and loop compensation capacitor to COMP pin.

Ground Path

Keep a short and wide ground path for current sense resistor. The IC signal ground for COMP and FB components should be connected to the IC GND.

The Area of Power Loop

The area of main current loop should be as small as possible to reduce EMI radiation.

FB Pin

Put the divider resistor close to the FB pin as possible, and keep the trace away to the switching node.

DRAIN Pin

To increase the copper area of DRAIN pin for better thermal dissipation.

Physical Dimensions

