

### Description

The BP2836A is a high precision buck constant current LED driver. The device operates in critical conduction mode and is suitable for 85Vac~265Vac universal input offline LED lighting.

The BP2836A integrates a 500V power MOSFET. With patent pending MOSFET driving technique, the operating current of the IC is very low. So it doesn't need the auxiliary winding for supplying the chip. It can achieve excellent constant current performance with very few external components, so the system cost and size are minimized.

The BP2836A utilizes patent pending current control method. It can achieve precise output current and excellent line regulation. The driver operates in critical conduction mode, the output current does not change with the inductance and LED output voltage.

The BP2836A offers rich protection functions to improve the system reliability, including LED open circuit protection, LED short circuit protection, VCC under voltage protection, CS resistor short circuit protection and thermal regulation function.

### Typical Application

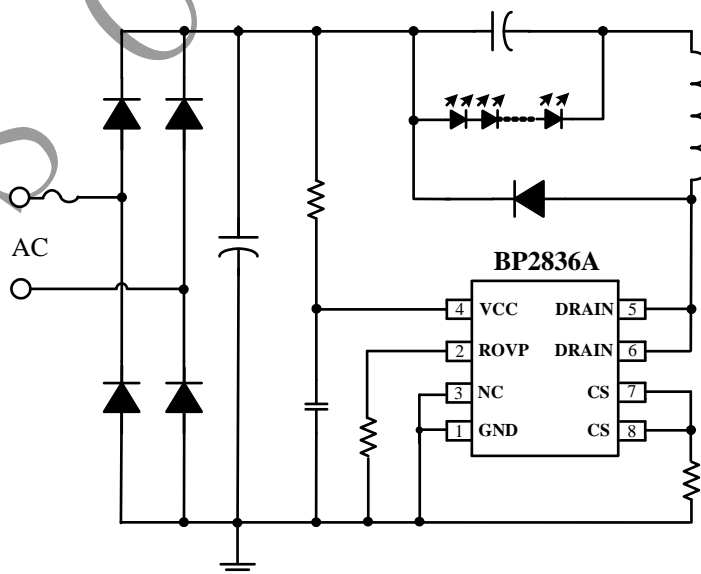


Figure 1. Typical application circuit for BP2836A

### Features

- Critical Conduction Mode Operation
- Internal 500V Power MOSFET
- No Auxiliary Winding
- Ultra Low Operating Current
- $\pm 5\%$  LED Output Current Accuracy
- LED Open Protection
- LED Short Protection
- Current Sensing Resistor Short Protection
- VCC Under Voltage Protection
- Thermal Regulation Function
- Available in SOP8 Package

### Applications

- LED Candle Light
- LED Bulb
- Other LED Lighting

### Ordering Information

Part Number	Package	Operating Temperature	Packing Method	Marking
BP2836A	SOP8	-40 °C to 105 °C	Tape 4,000 Piece/Reel	BP2836A XXXXXY WWXY

### Pin Configuration and Marking Information

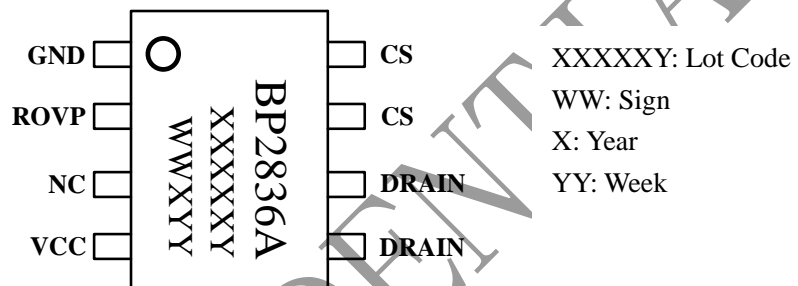


Figure 2. Pin configuration

### Pin Definition

Pin No.	Name	Description
1	GND	Ground
2	ROVP	Over Voltage Protection Setting Pin. Connect a resistor to GND
3	NC	No Connection. Should be connected to GND(Pin1)
4	VCC	Power Supply Pin
5,6	DRAIN	Internal HV Power MOSFET Drain
7,8	CS	Current Sense Pin. Connect a sense resistor between this pin and GND pin.