

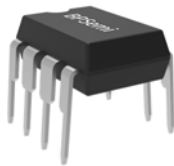
Description

BP3337DB is a low PF PSR (Primary Side Regulation) constant current LED driver with high current accuracy. Along with Boost pre-converter, BP3337DB can provide two-stage isolated flicker-free light output.

BP3337DB provides with accurate constant on time control and current limit to control primary side current in case of input voltage dip. So, transform saturation is avoided to improve system reliability.

BP3337DB works in BCM mode, which can help to reduce switching loss and improve EMC performance.

BP3337DB provides with multiple protections, such as output over voltage protection (OVP), output short circuit protection (SCP), cycle-by-cycle over current protection (OVP) and thermal fold back. BP3337DB adopts DIP-7 package.



DIP-7 Package

Features

- HV JFET inside to deliver fast start-up
- High accuracy of current reference (+/-3%)
- Good load regulation
- Critical conduction mode
- Low operating current
- VCC UVLO
- Cycle-by-cycle current limitation
- Output open/short protection
- Thermal fold back
- DIP-7 Package

Applications

- LED panel light
- LED downlight

Typical Application

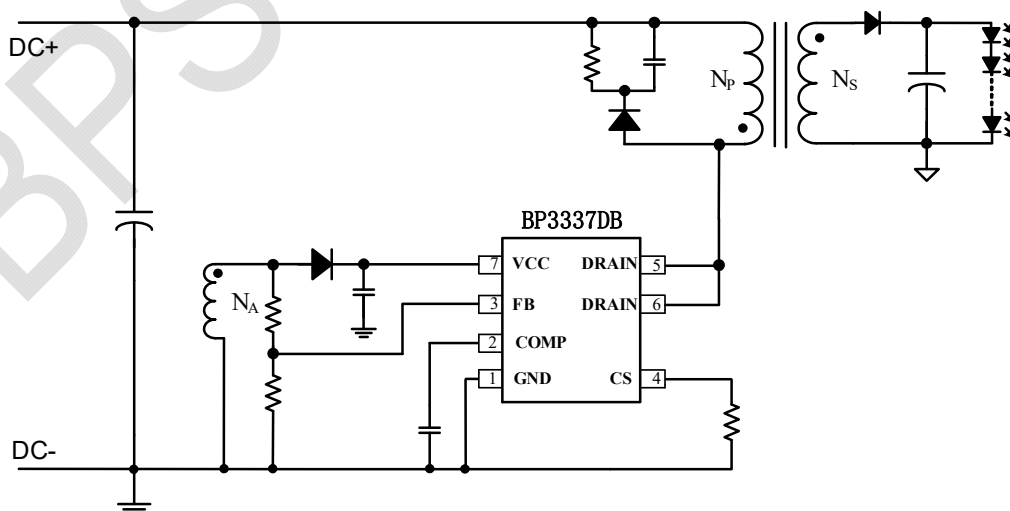


Figure 1 BP3337DB Typical Application

Ordering Information

Part Number	Package	Package Method	Marking
BP3337DB	DIP-7	Tube 50/Tube	BP3337D XXXXXYZ XXYYWWB

Pin Configuration and Marking Information

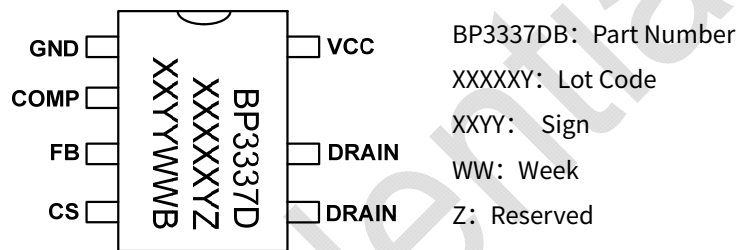


Figure 2 Pin Configuration

Pin Definition

Pin No.	Name	Description
1	GND	IC ground
2	COMP	Loop compensation
3	FB	ZCD detection and output voltage detection
4	CS	Primary side current sense, connected with sense resistor
5	DRAIN	DRAIN of internal MOSFET
6	DRAIN	DRAIN of internal MOSFET
7	VCC	Power supply for IC

Disclaimer

The information provided in this datasheet is believed to be accurate and reliable. However, Bright Power Semiconductor (BPS) reserves the right to make changes at any time without prior notice.

No license, to any intellectual property right owned by BPS or any other third party, is granted under this document. BPS provides information in this datasheet “AS IS” and with all faults, and makes no warranty, express or implied, including but not limited to, the accuracy of the information provided in this datasheet, merchantability, fitness of a specific purpose, or non-infringement of intellectual property rights of BPS or any other third party. BPS disclaims any and all liabilities arising out of this datasheet or use of this datasheet, including without limitation consequential or incidental damages.