

### Description

BP5218F is a high current precision no flick linear LED Driver, integrated with High Voltage MOSFET and JFET supply, specially designed for AC line LED strings forwarded with high voltage and low current. Without electrolytic capacitors and magnetic components, the LED driver can achieve small size, long life and meet EMI requirements.

BP5218F can precisely set the current of LED through external resistor, and the line regulation can be easily achieved by input voltage compensation.

BP5218F has thermal regulation available on chip to balance the power delivering and temperature increasing.



### Feature

- Meets the new European ERP standards
- PF>0.7, NO Flick.
- Simple BOM and compact size
- No E-cap and magnetic components
- Fast start up
- $\pm 5\%$  output current accuracy
- LED current set by external resistor
- Input voltage compensation
- Integrate thermal fold back
- SOP8-EP package

### Application

- GU10/E27 LED retrofit lamps
- LED candle
- Other LED lighting

### Typical Application

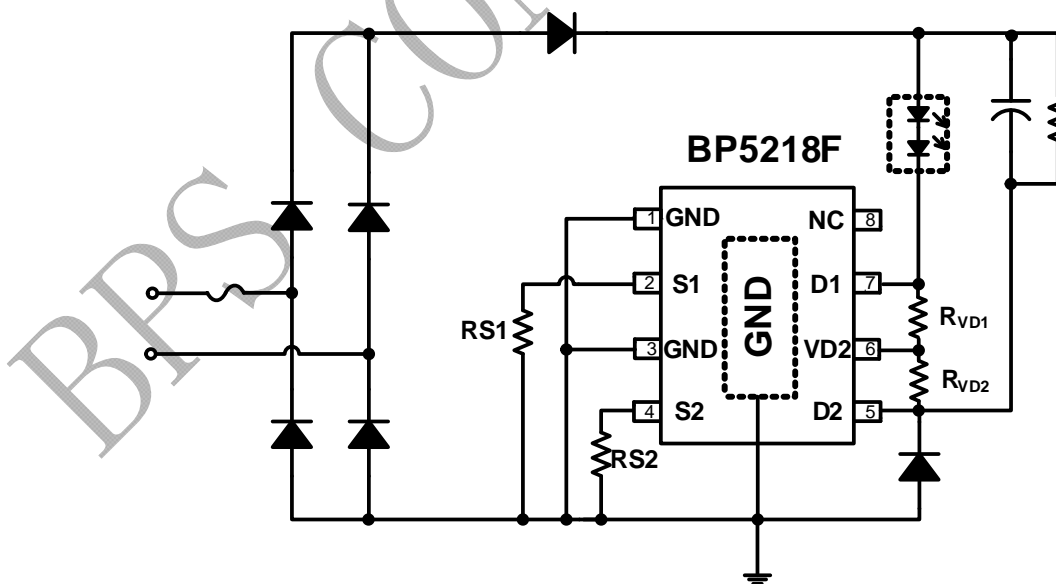


Fig1 BP5218F Typical Application

### Order Information

Part Number	Package	Packing Method	Mark
BP5218F	ESOP8	Tape 4,000 pcs/reel	BP5218 XXXXXX XXYYWWF

### Pin Mapping

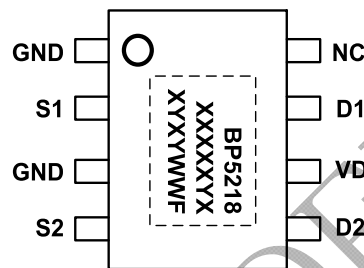


Fig.1 BP5218F Pin Mapping

XXXXXX: Lot Code

XXYY: Sign

WW: Week

### Pin Descriptions

Pin No.	Pin Name	Descriptions
1,3	GND	IC ground
2	S1	Current sense pin1, connect resistor to GND
4	S2	Current sense pin2, connect resistor to GND
5	D2	Drain 2 for LED string Current sense
6	VD2	Line regulation compensation
7	D1	Drain1 for LED string Current sense
8	NC	No Connected
EPAD	GND	IC ground

## Disclaimer

The information provided in this datasheet is believed to be accurate and reliable. However, Bright Power Semiconductor (BPS) reserves the right to make changes at any time without prior notice.

No license, to any intellectual property right owned by BPS or any other third party, is granted under this document. BPS provides information in this datasheet “AS IS” and with all faults, and makes no warranty, express or implied, including but not limited to, the accuracy of the information provided in this datasheet, merchantability, fitness of a specific purpose, or non-infringement of intellectual property rights of BPS or any other third party. BPS disclaims any and all liabilities arising out of this datasheet or use of this datasheet, including without limitation consequential or incidental damages.

BPS

CONFIDENTIAL