

### Description

The BP5912A is a special color temperature switch LED driver, the BP5912A integrates two 0.5A/400V silicon controlled rectifier, realize color temperature switch function by detecting the LED driver switching waveform directly, the BP5912A maximally simplify the periphery components number, ensure the logical consistency when the multiple power supply applications. BP5912A can work conveniently in Flyback, Buck and Buck-Boost topology structure.

The BP5912A can realize the conversion between warm color and cool color and mixed color by the DET pin switching state detection.

The BP5912A uses SOP-8 package.

### Features

- Integrates switching state detection circuits
- Built-in two 0.5A/400V silicon controlled rectifier
- Fixed three kinds of color temperature switch
- VDD short protection
- Available in SOP-8 package

### Applications

- LED ceiling lamp
- LED Panel light
- LED Bulb
- Other LED lighting

### Typical Application

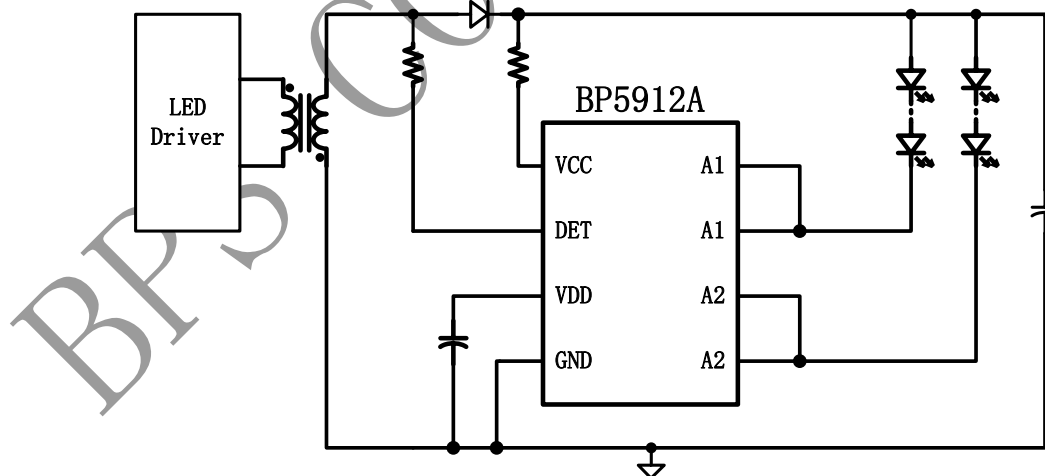
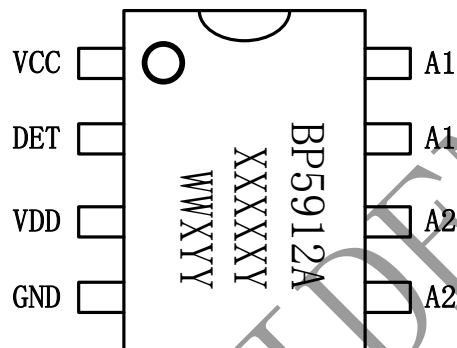


Figure 1. Typical application circuit for BP5912A

### Ordering Information

Part Number	Package	Operating Temperature	Package Method	Marking
BP5912A	SOP-8	-40 °C to 105 °C	Tape 4,000 pcs/Reel	BP5912A XXXXXY WWXY

### Pin Configuration and Marking Information



XXXXXY: lot code

WW: sign

X: Year

YY: Week

Figure 2. Pin configuration

### Pin Definition

Pin No.	Name	Description
1	VCC	Power Supply Pin.
2	DET	Switching detect pin.
3	VDD	Internal power supply pin, Connect a bypass capacitor from this pin to GND.
4	GND	Ground.
5,6	A2	Built-in SCR for second via, connected to LED cathode
7,8	A1	Built-in SCR for first via, connected to LED cathode