

140 MHz Bandpass SAW Filter

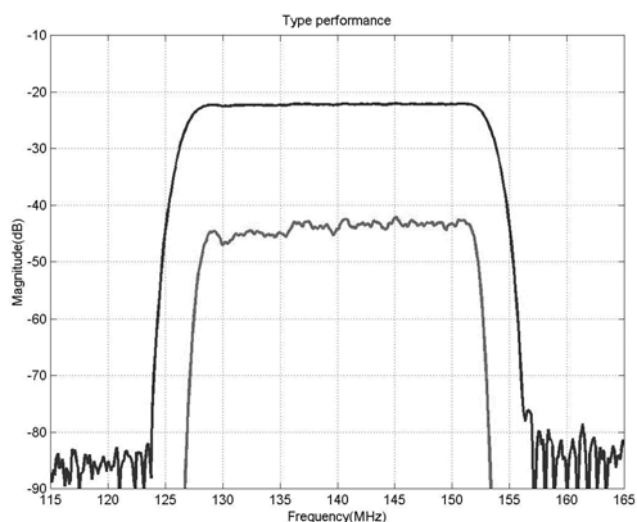
25.7 MHz Bandwidth

Complies with Directive 2002/95/EC (RoHS Compliant)

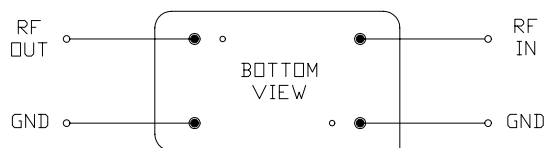
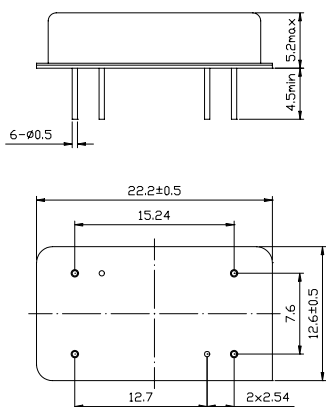
BP62111

Specifications					
Parameter	Sym	Minimum	Typical	Maximum	Unit
Center Frequency at 25°C	fc	139.80	140	140.20	MHz
Insertion Loss at fc	IL	-	20.5	25.0	dB
1 dB Bandwidth	BW ₁	24.0	24.6	-	MHz
3 dB Bandwidth	BW ₃	-	25.7	-	MHz
40dB Bandwidth	BW ₄₀	-	29.7	30.0	MHz
Passband Variation	-	-	0.6	0.9	dB
Phase Linearity	-	-	3.7	5	Deg
Group Delay Variation	-	-	20	60	nsec
Absolute Delay	-	-	1.08	-	μsec
Ultimate Rejection	-	50	60	-	dB
Substrate Material	-	-	128-LiNbO ₃	-	-
Ambient Temperature	Ta	-	25	-	°C

Typical Performance



Package Outline
Matching Configuration



No Matching Required
Nominal Source/Load Impedance : 50 Ω