

Description

The BP870X family is a series of highly integrated current mode PWM switcher ICs with high performance, low standby consumption suitable for designing flyback converters up to 25 W.

The BP870X integrates a 650 V power MOSFET and a high-voltage current source which eliminates the startup resistors. It supports CCM and DCM operations. At full load, the IC operates in 65 kHz fixed frequency. When the load goes down, it operates in Green Mode while the oscillator frequency is controlled by the feedback voltage on the FB pin. At no load condition, the IC operates in burst mode to minimize the standby power.

Frequency modulation and intelligent driving circuit are built in, which helps to achieve excellent EMI performance. Internal slope compensation improves the system stability.

The BP870X features comprehensive protections, including cycle-by-cycle current limit, VCC over voltage protection and under voltage lock out, over-load protection (BP870XD) or constant power output (BP870XBD), and over temperature protection.

The BP870X is available in SOP-8 package.



SOP-8 package

Typical Application

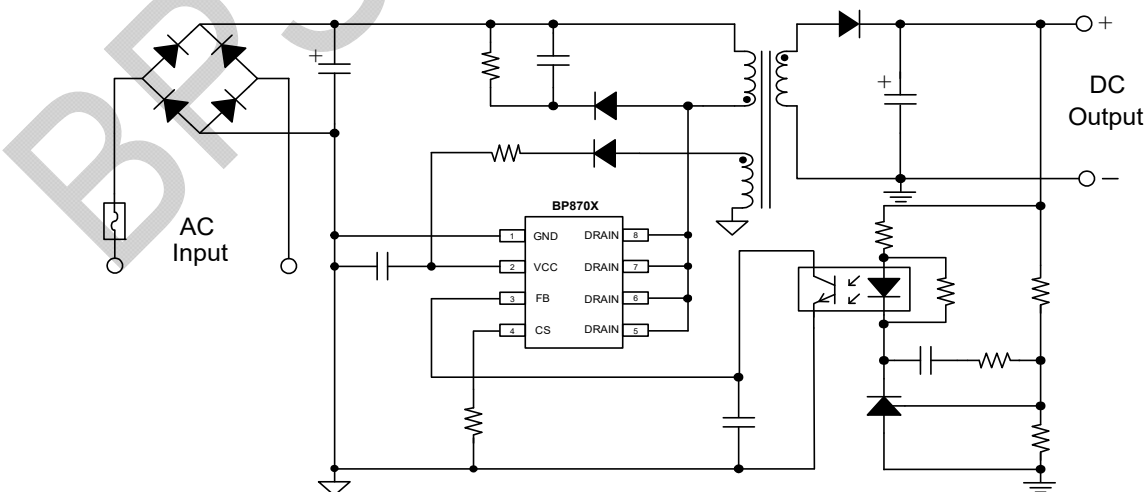


Figure 1. Typical Application Circuit

Features

- Less than 75 mW no-load consumption
- Integrated 650 V power MOSFET
- High-voltage current source eliminates startup resistors
- Internal 4 ms soft start
- Fixed 65 kHz frequency at heavy load
- Green mode at light load
- Frequency modulation and intelligent driving for excellent EMI
- Audible noise free operation
- Built-in slope compensation
- Built-in leading-edge blanking (LEB)
- >4mm creepage distance
- Comprehensive protections
 - Cycle-by-Cycle current limit
 - VCC over voltage protection (OVP)
 - VCC under voltage lock out (UVLO)
 - Over-load protection (for BP870XD)
 - Over temperature protection (OTP)

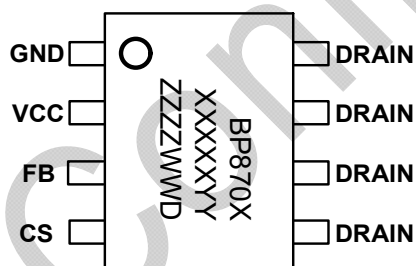
Applications

- QC / USB PD Chargers
- AC/DC Adapters
- Standby Power Supply

Ordering Information

Part Number	Package	Packing	Marking
BP8705D	SOP-8	Tape & Reel 4,000 pcs/Reel	BP8705 XXXXXY ZZZZWWD
BP8705BD	SOP-8	Tape & Reel 4,000 pcs/Reel	BP8705B XXXXXY ZZZZWWD
BP8706D	SOP-8	Tape & Reel 4,000 pcs/Reel	BP8706 XXXXXY ZZZZWWD
BP8706BD	SOP-8	Tape & Reel 4,000 pcs/Reel	BP8706B XXXXXY ZZZZWWD
BP8708D	SOP-8	Tape & Reel 4,000 pcs/Reel	BP8708 XXXXXY ZZZZWWD

Pin Configuration and Marking Information



BP870X: Part number
XXXXXY: Lot code
ZZZZ: Internal code
WW: Week code
D: Package type (D: SOP-8)

Figure 2. SOP-8 pin configuration

Pin Functions

Pin NO.	Pin Name	Description
1	GND	Ground reference for the VCC and FB pins
2	VCC	Power supply pin of the IC. An external bypass capacitor($\geq 4.7 \mu\text{F}$) to GND is recommended
3	FB	Output voltage feedback. Connect to the collector of the opto-coupler
4	CS	Current sense input
5/6/7/8	DRAIN	Drain connection of the internal power MOSFET. Input of the high-voltage current source.

Disclaimer

The information provided in this datasheet is believed to be accurate and reliable. However, Bright Power Semiconductor (BPS) reserves the right to make changes at any time without prior notice.

No license, to any intellectual property right owned by BPS or any other third party, is granted under this document. BPS provides information in this datasheet “AS IS” and with all faults, and makes no warranty, express or implied, including but not limited to, the accuracy of the information provided in this datasheet, merchantability, fitness of a specific purpose, or non-infringement of intellectual property rights of BPS or any other third party. BPS disclaims any and all liabilities arising out of this datasheet or use of this datasheet, including without limitation consequential or incidental damages.