

# BPA8604D

## Off-Line Flyback Switcher IC

### Description

BPA8604D is a high performance ,highly integrated and low standby power consumption off-line switcher. It's mainly used in household appliances auxiliary power supply, for example microwave ovens and electromagnetic cookers.

BPA8604D is integrated with 700V high voltage power MOSFET, high voltage startup and self-bias power supply and current sampling circuit. Simple pulse number control without external compensation circuit can realize high loop bandwidth and fast dynamic response. The 132kHz switching frequency can effectively reduce the transformer volume and the frequency modulation technology is used to achieve excellent EMI performance. High integration and optimized control techniques greatly reduce the number of peripherals, save system cost and volume, and improve reliability.

Furthermore, the BPA8604D integrates comprehensive protections, including short circuit protection (SCP), overload protection (OLP), feedback (FB) open loop protection, cycle-by-cycle current limit, and over temperature protection (OTP).

The BPA8604D is available for SOP-7 package. The MOSFET source pins serve as HTSK. This makes it easy to use larger PCB copper for thermal consideration without affecting EMI performance.



SOP-7 package

### Features

- Integrated 700V power MOSFET
- No-load power consumption <50mW at 230VAC with auxiliary winding, <150mW at 230VAC with self-biasing
- Excellent transient response, with no output overshoot
- Integrated high voltage startup and self-bias power supply
- Frequency jitter for EMI improvement
- MOSFET source pins serve as HTSK, easy to use larger PCB copper for thermal consideration without affecting EMI performance
- Comprehensive protections
  - short circuit protection (SCP)
  - Overload protection (OLP)
  - Feedback (FB) open loop protection
  - Cycle-by-cycle current limit
  - Over temperature protection (OTP)

### Applications

- Microwave oven
- Home appliances

Typical Application

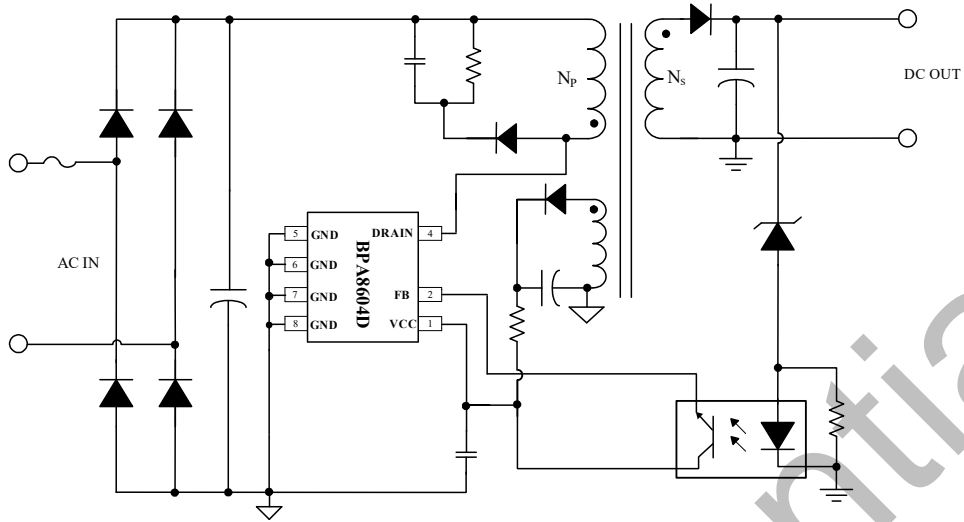
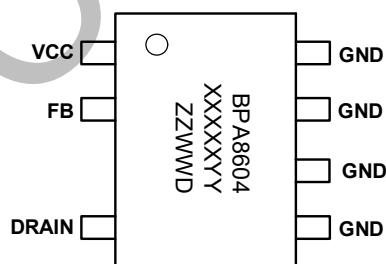


Figure 1. Typical application

Ordering Information

Part Number	Package	Packing	Marking
BPA8604D	SOP-7	Tape & Reel 4,000 pcs/Reel	BPA8604 XXXXXXYY ZZWWD

Pin Configuration and Marking Information



BPA8604: Part number  
XXXXXXYY: Lot code  
ZZ: Internal code  
WW: Week code  
D: Package type (D: SOP-7)

Figure 2. SOP-7 pin configuration

## Disclaimer

The information provided in this datasheet is believed to be accurate and reliable. However, Bright Power Semiconductor (BPS) reserves the right to make changes at any time without prior notice.

No license, to any intellectual property right owned by BPS or any other third party, is granted under this document. BPS provides information in this datasheet “AS IS” and with all faults, and makes no warranty, express or implied, including but not limited to, the accuracy of the information provided in this datasheet, merchantability, fitness of a specific purpose, or non-infringement of intellectual property rights of BPS or any other third party. BPS disclaims any and all liabilities arising out of this datasheet or use of this datasheet, including without limitation consequential or incidental damages.

BPS Confidential