

Specification of Piezo Buzzer

Customer	
Customer P/O	
Bestar Model Name	BPT1412XH7.5
Product No.	040200
Issue No.	BS/TEP01.011A
Issue Date	01/10/16

Approval:

- 1.Ordering Information
- 2.Technical Terms
- 3.Drawing
- 4.Reliability Test
- 5.Appearance
- 6.Packing



BESTAR ELECTRONICS INDUSTRY CO.,LTD
TianAn Industry Park4/F,Site B ChangZhou New District
Tel:86-519-5103228
Fax:86-519-5131010
Http:www.be-star.com
E-Mail:bestarco@pub.cz.jsinfo.net

BPT1412XH7.5

1. Ordering Information

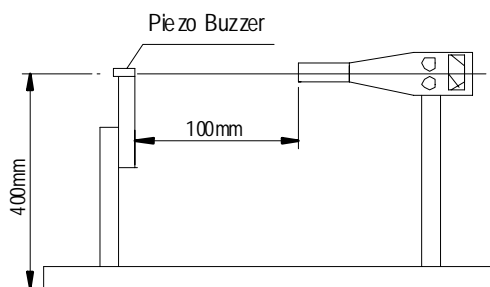
BPT1412XH7.5
 BPT: Bestar Piezo Transducer
 14 : Buzzer Size - diameter=14mm
 12: Rated voltage 12v X: With built-in circuit
 H7.5: Height 7.5



2. Technical Terms

ITEM	UNIT	SPECIFICATIONS
Rated Voltage	VDC	12
Operation Voltage	VDC	3-16
a)Rated Current	mA	max7
a)Sound Output at 10cm	dB	min80
a)Resonant Frequency	Hz	4000 ± 500
Operating Temperature	°C	-20...+70
Storage Temperature	°C	-30...+80
Weight	g	1
a)Value Applying Rated Voltage (DC)		

★.Standard Output Measurement Setup



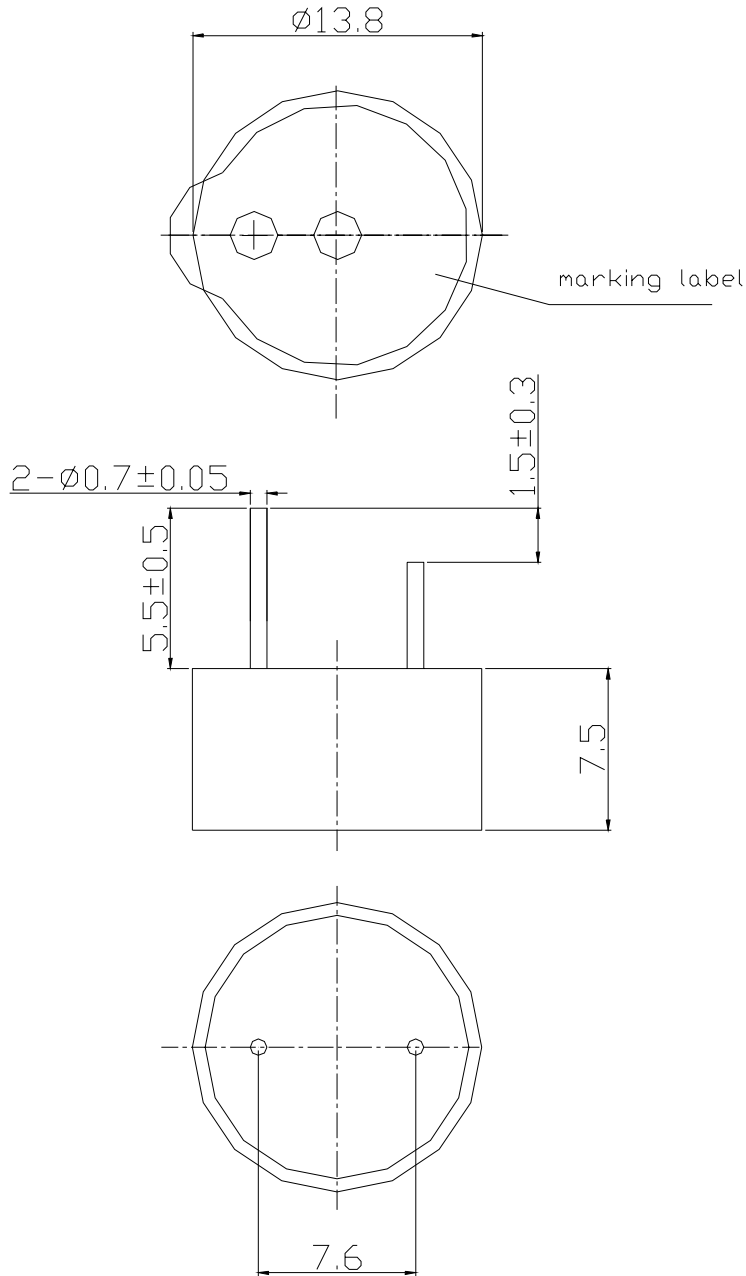
This print and information therein are proprietary to Bestar Electronics Industry Co., Ltd. and shall not be used in whole or in part without its written consent.

DIS.		DATE		Page:1 of 4 3rd angle projection	BPT1412XH7.5
CHEC.		DATE			Piezo Buzzer
APPR.		DATE			DRG NO BS/TEP01.011A
 BESTAR ELECTRONICS INDUSTRY CO.,LTD TianAn Industry Park 4/F,Site B ChangZhou New District E-Mail:bestarco@ pub.cz.jsinfo.net Http:www.be-star.com					

BPT1412XH7.5

3. Drawing

Tolerance: ± 0.2



This print and information therein are proprietary to Bestar Electronics Industry Co., Ltd. and shall not be used in whole or in part without its written consent

DIS.		DATE		Page:2 of 4	BPT1412XH7.5
CHEC.		DATE		3rd angle projection	
APPR.		DATE			Piezo Buzzer
 BESTAR ELECTRONICS INDUSTRY CO.,LTD TianAn Industry Park 4/F,Site B ChangZhou New District E-Mail:bestarco@ pub.cz.jsinfo.net Http:www.be-star.com					DRG NO BS/TEP01.011A

BPT1412XH7.5

4. Reliability test

4.1 high temperature test

Temperature +80° C
Duration 96hrs

4.2 low temperature test

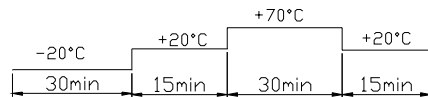
Temperature -30° C
Duration 96hrs

4.3 life test in normal temperature

Power supply rated voltage
Duration 1000hrs

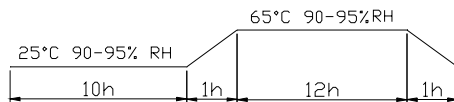
4.4 temperature cycle test

Cycles 5



4.5 Humidity cycle test

Cycles 5



all these tests above should be measured after leaving normal temperature for 2hrs.

4.6 Drop test

Height 70cm
(to 10mm thickness woodenboard)
Direction 3

4.7 Solderability

Temperature 245± 5° C
Duration 3± 0.5sec

4.8 Solder Heat Resistance

Temperature 260± 5° C
Duration 20sec

Notice: All specification must be satisfied in this condition.

This print and information therein are proprietary to Bestar Electronics Industry Co., Ltd. and shall not be used in whole or in part without its written content

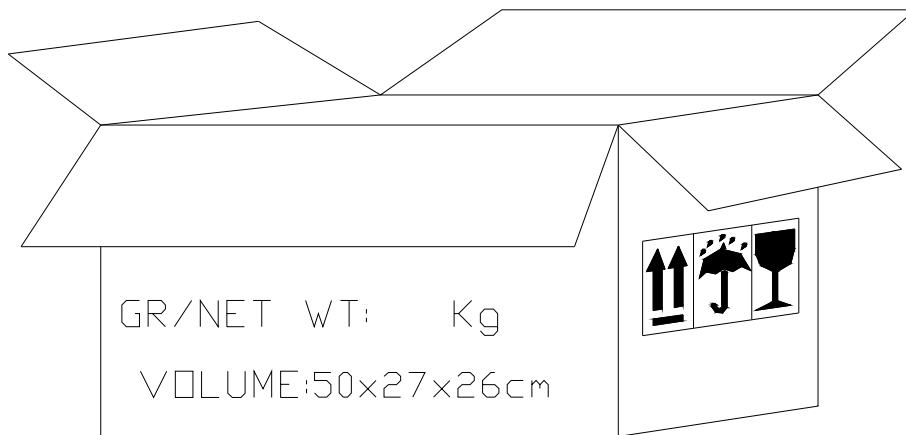
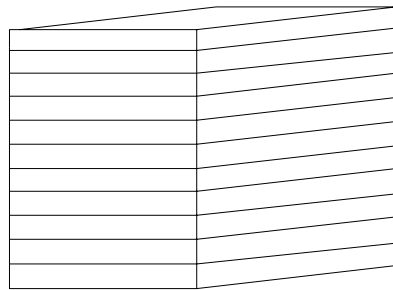
DIS.		DATE		Page:3 of 4	BPT1412XH7.5
CHEC.		DATE		3rd angle projection	
APPR.		DATE			Piezo Buzzer
 BESTAR ELECTRONICS INDUSTRY CO.,LTD TianAn Industry Park 4/F,Site B ChangZhou New District E-Mail:bestarco@ pub.cz.jsinfo.net Http:www.be-star.com					DRG NO BS/TEP01.011A

BPT1412XH7.5

5. Appearance

Appearance : without any obstacle to normal operation : damages, cracks, rusts and distortions,ect.

6. Packing



- 1)100pcs/tray
- 2)30tray/carton
- 3)3000 pcs/carton in total
- 4)carton size 50x27x26cm

This content and information therein are proprietary to Bestar Electronics Industry Co., Ltd. and shall not be used in whole or in part without its written content

DIS.		DATE		Page:4 of 4 3rd angle projection	BPT1412XH7.5 Piezo Buzzer DRG NO BS/TEP01.011A
CHEC.		DATE			
APPR.		DATE			
 BESTAR ELECTRONICS INDUSTRY CO.,LTD TianAn Industry Park 4/F,Site B ChangZhou New District E-Mail:bestarco@ pub.cz.jsinfo.net Http:www.be-star.com					