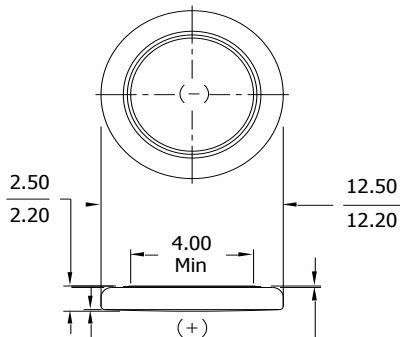


ENERGIZER NO. BR1225

**LITHIUM COIN**



**Industry Standard Dimensions**  
(mm)



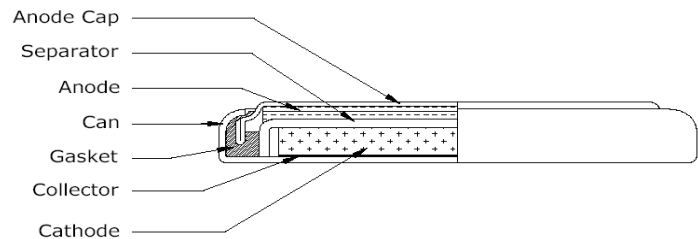
0.20 Maximum Ref.  
Permissible defelection from a flat.

0.03 Minimum Ref.  
(applies to top edge of gasket or edge of crimp, whichever is higher)

**Specifications**

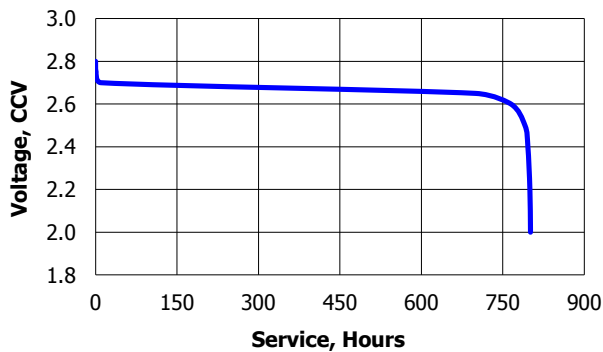
<b>Classification:</b>	"Lithium Coin"
<b>Chemical System:</b>	Lithium / Poly-Carbon Monofluoride (Li/CFx)
<b>Designation:</b>	IEC-BR1225
<b>Nominal Voltage:</b>	3.0 Volts
<b>Typical Capacity:</b>	48 mAh (to 2.0 volts) (Rated at 45K ohms at 21°C)
<b>Typical Weight:</b>	0.8 grams
<b>Typical Volume:</b>	0.3 cubic centimeters
<b>Max Rev Charge:</b>	1 microampere
<b>Energy Density:</b>	174 milliwatt hr/g, 432 milliwatt hr/cc

**Cross Section**



**Typical Discharge Characteristics**

Load: 45K ohms - Continuous  
Typical Drain @ 2.7V: 0.06 mA



**Simulated Application test**

Typical Performance at 21°C (70°F)

Schedule:	Typical Drains: at 2.7V (mA)	Load (ohms)	Cutoff 2.0V (hours)
Continuous	0.06	45,000	800

**Important Notice**

This datasheet contains typical information specific to products manufactured at the time of its publication.  
©Energizer Holdings, Inc. - Contents herein do not constitute a warranty.