



Triode Type BR 129

HF AMPLIFIER AND OSCILLATOR

General. The BR 129 is a forced-air-cooled transmitting triode fitted with a tungsten filament.

Cooling. The anode requires forced air cooling. The air cooling and air flow characteristics given show the air inlet temperature °C/anode+grid loss, and air flow/air pressure.

The grid and filament seals also require air cooling. The volume of air necessary is approximately 15 cu. ft. per minute, and should be directed on to the seals from above through a 1-in. nozzle. The temperature of the anode must not exceed 180°C and that of the seals must not exceed 140°C.

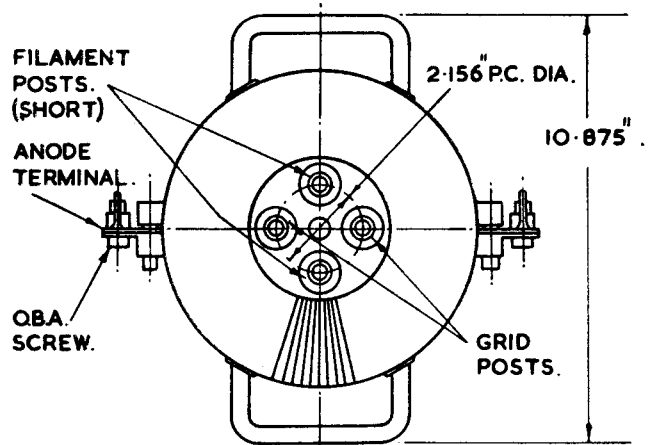
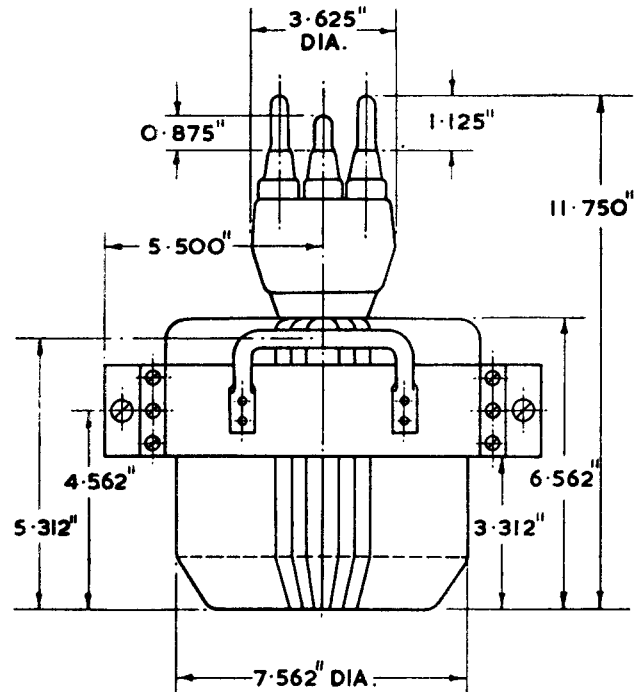
All air cooling supplies must be in operation before the application of any supply voltage and should be continued, for at least one minute, after the removal of all supply voltages.

Filament Starting. The cold filament resistance is approximately 0.007 Ω. The filament current must not exceed 187 A at any time during the switching on period.

APPROXIMATE DATA

V_f	11	V
I_f	125	A
V_a (max)	8.5	kV
P_a (max)	5	kW
P_{g1} (max)	600	W
μ	} taken at V_a 5 kV, I_a 1A {	21
g_m		11
f (max) (at full ratings)	40	Mc/s
C_{a-g1}	17.5	pF
C_{a-k}	2.7	pF
C_{g1-k}	23.3	pF

Marked Voltage. Each valve is marked with the filament voltage required to give 8.5 A peak emission at 90% saturation.



DIMENSIONS MAXIMUM.

WEIGHT 37 lb. (16.8 kg.)

MARCONI'S WIRELESS TELEGRAPH COMPANY LIMITED

Head Office: Marconi House, Chelmsford, England. Telephone: Chelmsford 3221. Telegraphic Address: Expanse, Chelmsford

