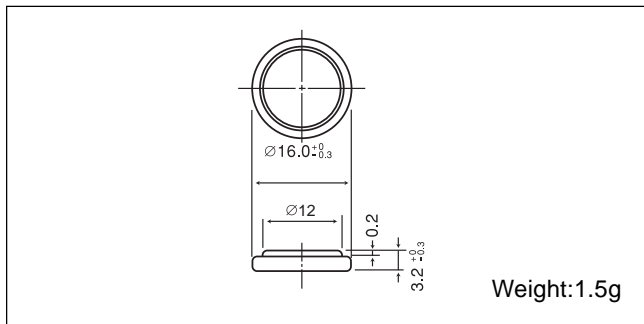


# Poly-carbonmonofluoride Lithium Coin Batteries: Individual Specifications

## BR1632

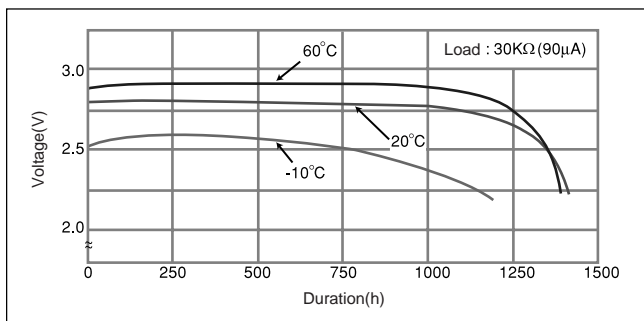
### ■ Dimensions(mm)



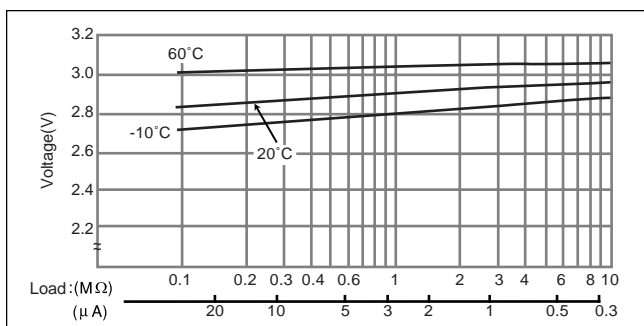
### ■ Specification

|                               |           |
|-------------------------------|-----------|
| Nominal voltage (V)           | 3         |
| Nominal capacity (mAh)        | 120       |
| Continuous standard load (mA) | 0.03      |
| Operating temperature (C)     | -30 ~ +80 |

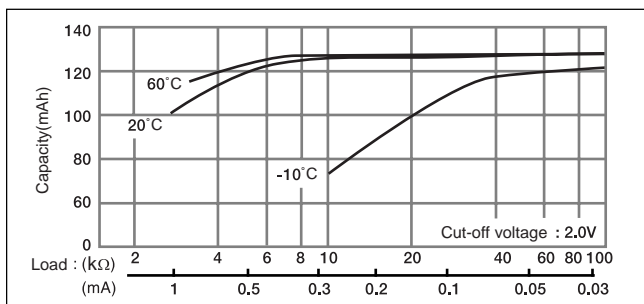
### ■ Temperature Characteristics



### ■ Operating voltage vs. load resistance (voltage at 50% discharge depth)

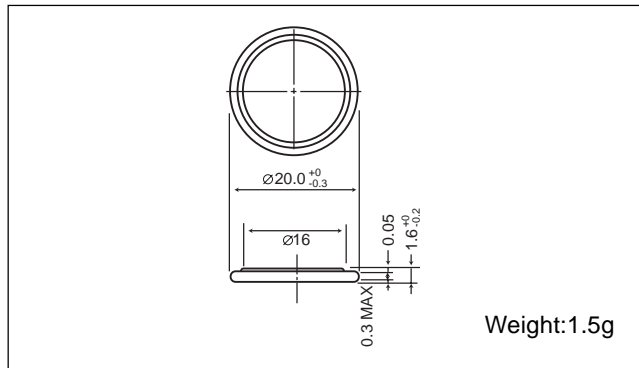


### ■ Capacity vs. load resistance



## BR2016

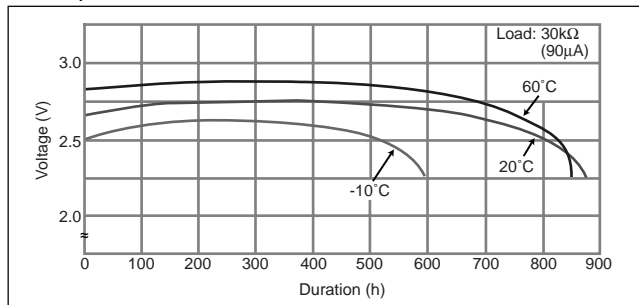
### ■ Dimensions(mm)



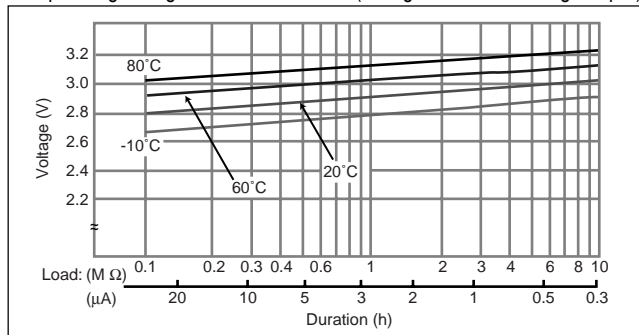
### ■ Specification

|                               |           |
|-------------------------------|-----------|
| Nominal voltage (V)           | 3         |
| Nominal capacity (mAh)        | 75        |
| Continuous standard load (mA) | 0.03      |
| Operating temperature (C)     | -30 ~ +80 |

### ■ Temperature Characteristics



### ■ Operating voltage vs. load resistance (voltage at 50% discharge depth)



### ■ Capacity vs. load resistance

