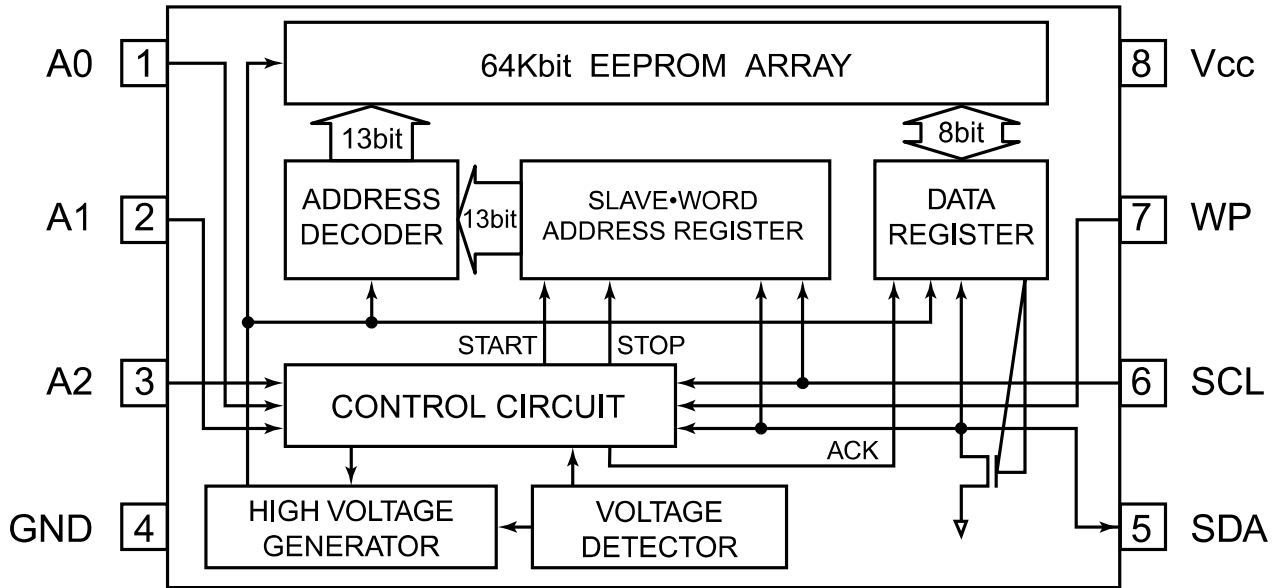


# 15) BR24C64F-E2 (XA0669)

EE-P ROM

Block Diagram



Pin Assignment

