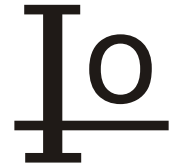


BR50005L THRU BR5010L



SINGLE PHASE 50 AMP BRIDGE RECTIFIERS

VOLTAGE RANGE

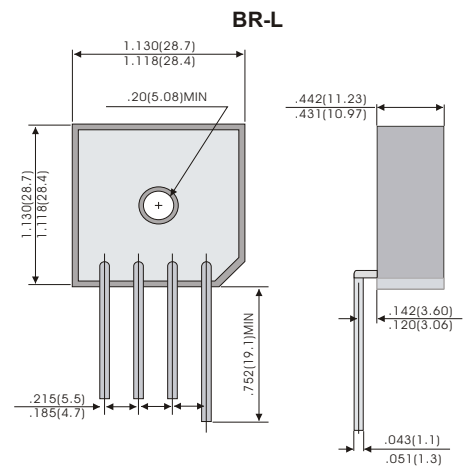
50 to 1000 Volts

CURRENT

50.0 Ampere

FEATURES

- Surge overload -240~500amperes peak
- Low forward voltage drop
- Mounting position: Any
- Electrically isolated base -2000 Volts
- Solderable 0.25" FASTON terminals
- Materials used carries U/L recognition
- Lead Free Finish/RoHS Compliant



MAXIMUM RATINGS AND ELECTRICAL CHARACTERISTICS

Rating at 25°C ambient temperature unless otherwise specified.

Resistive or inductive load 60HZ.

For capacitive load current by 20%

CHARACTERISTICS	SYMBOL	BR 50005L	BR 5001L	BR 5002L	BR 5004L	BR 5006L	BR 5008L	BR 5010L	UNIT
Maximum Recurrent Peak Reverse Voltage	V _{RRM}	50	100	200	400	600	800	1000	V
Maximum RMS Bridge Input Voltage	V _{RMS}	30	70	140	280	420	560	700	V
Maximum Average Forward Rectified Output Current @T _c =55°C	I(AV)	50							A
Peak Forward Surge Current 8.3ms Single Half Sine-Wave Super Imposed on Rated Load	I _{FSM}	500							A
Maximum Forward Voltage Drop Per Element at 25.0A Peak	V _F	1.1							V
Maximum Reverse Current at Rated DC Blocking Voltage Per Element @T _A =25°C	I _R	10.0							uA
Operating Temperature Rang	T _J	-55 to +125							°C
Storage Temperature Rang	T _{STG}	-55 to +125							°C



高昇電子股份有限公司

KAUSHENG ELECTRONICS CO.,LTD
TEL:886-2-85227008 www.ks-elect.com

RATING AND CHARACTERISTIC CURVES (BR50005L THRU BR5010L)

FIG.1-MAXIMUM FORWARD SURGE CURRENT

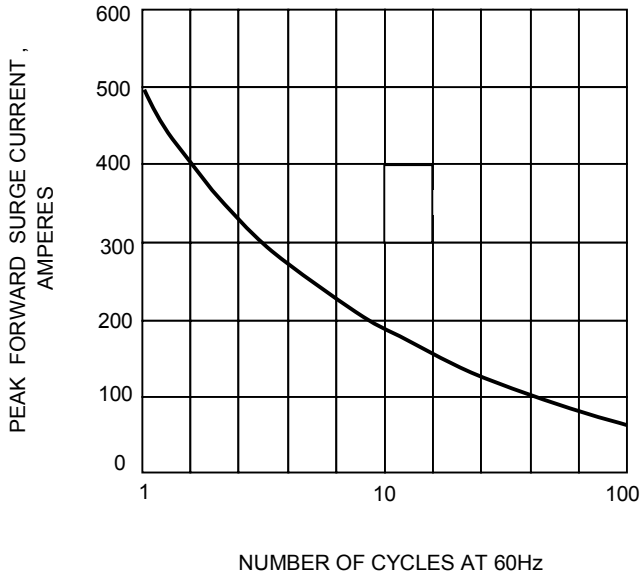


FIG.2- DERATING CURVE OUTPUT RECTIFIED CURRENT

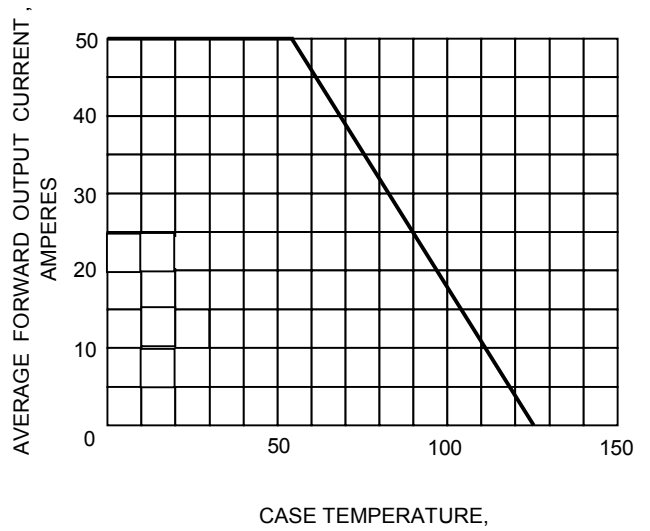


FIG.3-TYPICAL FORWARD CHARACTERISTICS

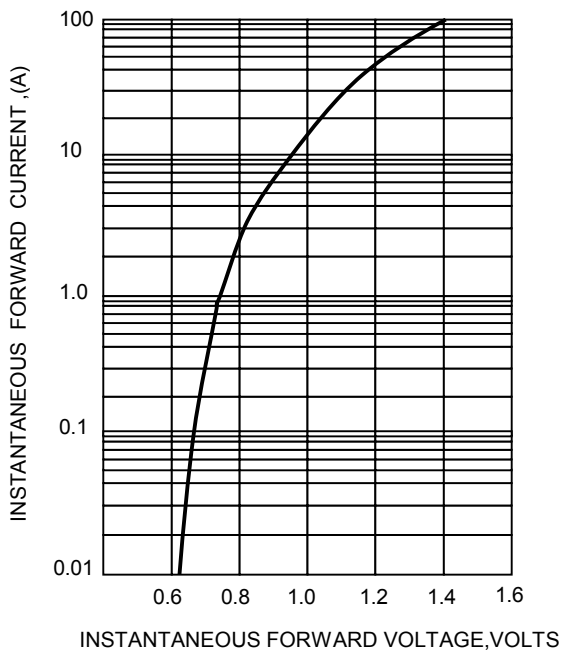


FIG.4-TYPICAL REVERSE CHARACTERISTICS

