

L E D D I S P L A Y

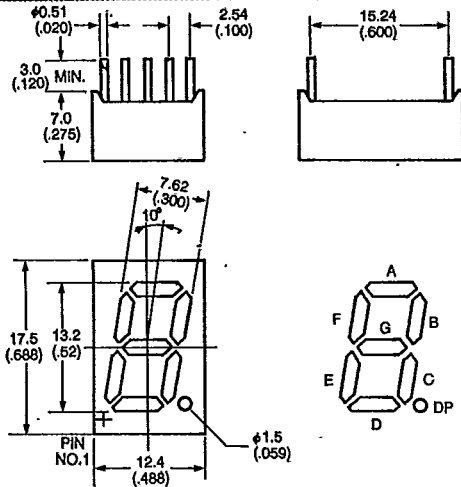
Digit Size	Part No.		Emitted Color	Peak Wave Length λ_p (nm)	Absolute Maximum Ratings				Electro-Optical Data (At 10 mA)			Drawing No.	
	Common Anode	Common Cathode			$\Delta\lambda$ (nm)	Pd (mw)	If (mA)	Peak If (mA)	Vf (V)		Iv Typ. Per Seg. (mcd)		
									Typ.	Max.			
0.52"	BS-A531RD	BS-C531RD	Red	655	40	110	40	200	1.7	2.0	0.7	D-13	
	A535RD	C535RD	Bright Red	700	90	50	15	50	2.1	2.6	1.0		
	A532RD	C532RD	Green	568	30	100	30	150	2.1	2.6	2.4		
	A533RD	C533RD	Yellow	585	35	90	30	150	2.1	2.6	2.3		
	A534RD	C534RD	Hi-Eff Red	635	45	80	30	150	2.0	2.6	2.4		
			Orange										
	A536RD	C536RD	Super Red	660	20	60	20	150	1.7	2.6	4.2		
	BS-A541RD	BS-C541RD	Red	655	40	110	40	200	1.7	2.0	0.7		D-14
	A545RD	C545RD	Bright Red	700	90	50	15	50	2.1	2.6	1.0		
	A542RD	C542RD	Green	568	30	100	30	150	2.1	2.6	2.4		
A543RD	C543RD	Yellow	585	35	90	30	150	2.1	2.6	2.3			
A544RD	C544RD	Hi-Eff Red	635	45	80	30	150	2.0	2.6	2.4			
		Orange											
A546RD	C546RD	Super Red	660	20	60	20	150	1.7	2.6	4.2			
0.56"	BS-A511RD	BS-C511RD	Red	655	40	110	40	200	1.7	2.0	0.7	D-15	
	A515RD	C515RD	Bright Red	700	90	50	15	50	2.1	2.6	1.0		
	A512RD	C512RD	Green	568	30	100	30	150	2.1	2.6	2.4		
	A513RD	C513RD	Yellow	585	35	90	30	150	2.1	2.6	2.3		
	A514RD	C514RD	Hi-Eff Red	635	45	80	30	150	2.0	2.6	2.4		
			Orange										
A516RD	C516RD	Super Red	660	20	60	20	150	1.7	2.6	4.2			
0.56"	BF-A511RD	BF-C511RD	Red	655	40	110	40	200	1.7	2.0	0.7	D-16	
	A515RD	C515RD	Bright Red	700	90	50	15	50	2.1	2.6	1.0		
	A512RD	C512RD	Green	568	30	100	30	150	2.1	2.6	2.4		
	A513RD	C513RD	Yellow	585	35	90	30	150	2.1	2.6	2.3		
	A514RD	C514RD	Hi-Eff Red	635	45	80	30	150	2.0	2.6	2.4		
			Orange										
A516RD	C516RD	Super Red	660	20	60	20	150	1.7	2.6	4.2			



Remark: • The average luminous intensity is obtained by summing the luminous intensity of each segment and dividing by total number of segments.
 • Above part numbers are all with black surface and white segment. For part numbers with other surface and segment color combinations, please check the selection guide (Part number system).

L E D D I S P L A Y

D-13 BS-A₅₃xxx Series



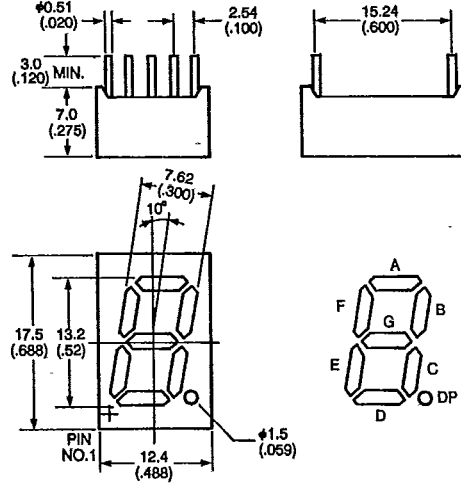
BS-A53XXX

- Com. Anode
- | | |
|---------------|---------------|
| 1. Cathode E | 6. Cathode B |
| 2. Cathode D | 7. Cathode A |
| 3. Com. Anode | 8. Com. Anode |
| 4. Cathode C | 9. Cathode F |
| 5. Cathode DP | 10. Cathode G |

BS-C53XXX

- Com. Cathode
- | | |
|-----------------|-----------------|
| 1. Anode E | 6. Anode B |
| 2. Anode D | 7. Anode A |
| 3. Com. Cathode | 8. Com. Cathode |
| 4. Anode C | 9. Anode F |
| 5. Anode DP | 10. Anode G |

D-14 BS-A₅₄xxx Series



BS-A54XXX

- Com. Anode
- | | |
|---------------|---------------|
| 1. Cathode E | 6. Com. Anode |
| 2. Cathode D | 7. Cathode B |
| 3. Cathode C | 8. Cathode A |
| 4. Cathode DP | 9. Cathode G |
| 5. Com. Anode | 10. Cathode F |

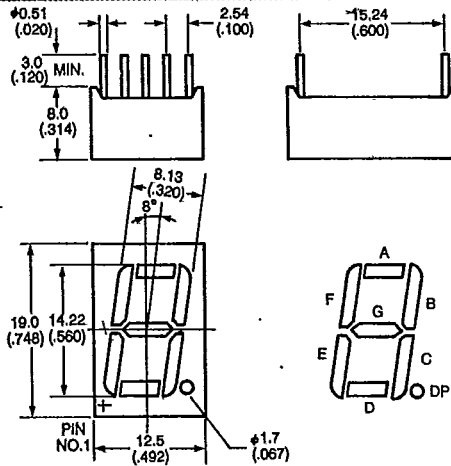
BS-C54XXX

- Com. Cathode
- | | |
|-----------------|-----------------|
| 1. Anode E | 6. Com. Cathode |
| 2. Anode D | 7. Anode B |
| 3. Anode C | 8. Anode A |
| 4. Anode DP | 9. Anode G |
| 5. Com. Cathode | 10. Anode F |

PACKAGE DIMENSIONS

- NOTES:
1. All dimensions are in millimeters (inches).
 2. Tolerance is $\pm 0.25\text{mm}$ ($.010''$) unless otherwise specified.
 3. Specifications are subject to change without notice.

D-15 BS-A₅₁xxx Series



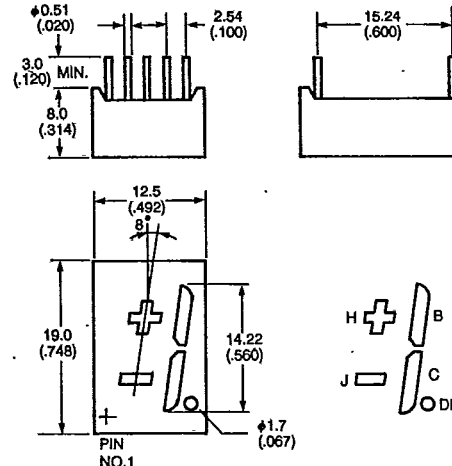
BS-A51XXX

- Com. Anode
- | | |
|---------------|---------------|
| 1. Cathode E | 6. Cathode B |
| 2. Cathode D | 7. Cathode A |
| 3. Com. Anode | 8. Com. Anode |
| 4. Cathode C | 9. Cathode F |
| 5. Cathode DP | 10. Cathode G |

BS-C51XXX

- Com. Cathode
- | | |
|-----------------|-----------------|
| 1. Anode E | 6. Anode B |
| 2. Anode D | 7. Anode A |
| 3. Com. Cathode | 8. Com. Cathode |
| 4. Anode C | 9. Anode F |
| 5. Anode DP | 10. Anode G |

D-16 BF-A₅₁xxx Series



BF-A51XXX

- Com. Anode
- | | |
|---------------|---------------|
| 1. Cathode J | 6. Cathode B |
| 2. NC | 7. NC |
| 3. Com. Anode | 8. Com. Anode |
| 4. Cathode C | 9. Cathode H |
| 5. Cathode DP | 10. NC |

BF-C51XXX

- Com. Cathode
- | | |
|-----------------|-----------------|
| 1. Anode J | 6. Anode B |
| 2. NC | 7. NC |
| 3. Com. Cathode | 8. Com. Cathode |
| 4. Anode C | 9. Anode H |
| 5. Anode DP | 10. NC |