

Power Relay

BSC-SS-112L

Main Feature

1. Small size (12.7x7.6x10 in mm) produces a switching capacity up to 2A for high density P.C.Board mounting technique.
2. The contact form construction is 1A/1C
3. The Surge Resistance of BSC series is 1,500V
4. Sealing Construction (Free from dust and solder flux):
BSC-SS: Flow Solder Type.
5. The selection of plastic insulation material is designed for high temperature and provides better chemical solution performance.
6. RoHS Compliant.

Application

Air Conditioning, Fridge, Washing Machine, etc Household Appliances



XX

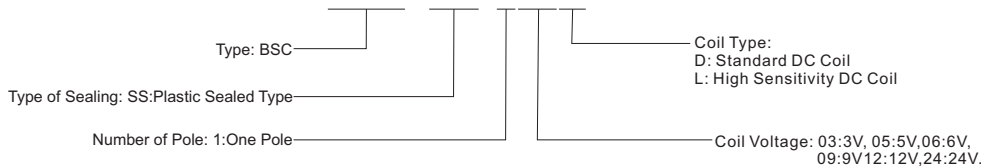
Contact Rating

- Nominal Load(Resistive Load Cos $\phi = 1$)
Contact Capacity
BSC-L/D/LM/DM.....2A at 125VAC
2A at 24VAC
- Max. Allowable Current
BSC-L/D/LM/DM.....2A
- Max. Allowable Voltage
BSC-L/D/LM/DM.....AC125V,DC24V
- Max. Allowable Power Force
BSC-L/D/LM/DM.....250VA 48W
- Contact Material..... Ag Alloy
- Contact Form..... SPDT & SPST
- Insulation Resistance.....1,000 Mega Ω Min. at 500VDC
- Max. On/Off Switching:
Electrical.....30 Ops per minute
Mechanical.....300 Ops per minute
- Temperature Range..... - 30~70°C
- Humidity Range.....5%~85% RH
- Coil Temperature Rise..... 35°C Maximum
- Vibration:
Endurance.....10 to 55 Hz dual amplitude width 1.5mm
Error Operation.....10 to 55 Hz dual amplitude width 1.5mm

Performance (at Initial Value)

- Contact Resistance..... $\leq 50m \Omega$ at 6VDC/1A
- Operate Time.....10ms. Max
- Release Time..... 5ms. Max
- Dielectric Strength:
Between Coil & Contact.....750VAC at 50/60 Hz for one minute
Between Contacts.....500VAC at 50/60 Hz for one minute
- Surge Resistance.....1,500V (between Coil & Contact 1.2x50 μ s)
- Shock:
Endurance..... 981m/s² Min
Error Operation..... 98.1m/s² Min
- Life Expectancy:
Electrical.....10⁵ Operations at Rated Resistive load
Mechanical.....10⁷ Operations at No load condition
- Weight.....about 3g

Product NO.: BSC-SS-112L



Power Relay

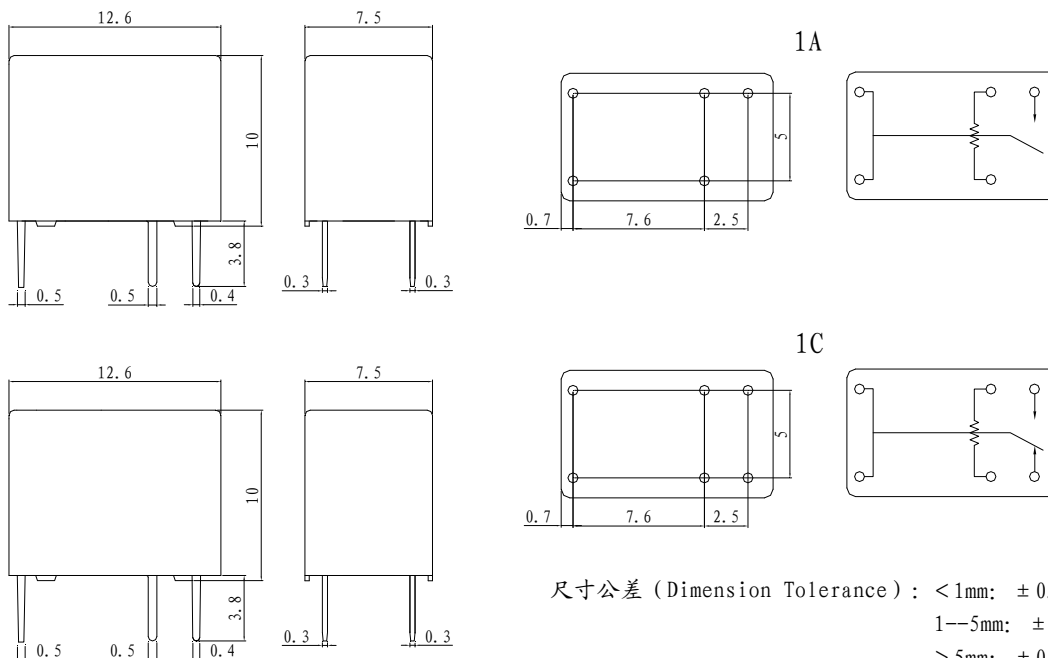
Coil Specification (at 20 °C)

Coil Sensitivity	Nominal Voltage (VDC)	Nominal Current (mA)	Coil Resistance ($\Omega \pm 8\%$)	Power Consumption (W)	Pull-In Voltage (VDC)	Drop-Out Voltage (VDC)	Maximum Allowable Voltage (VDC)
BSC-D BSC-DM	3	66.7	45	Abt. 0.2	75% Maximum	10% Minimum	130%
	5	40	125				
	6	33.7	180				
	9	22.5	400				
	12	16.7	720				
BSC-L BSC-LM	24	8.3	2880	Abt. 0.15	75% Maximum	10% Minimum	130%
	3	50	60				
	5	29.9	167				
	6	25	240				
	9	16.7	540				
	12	12.5	960				
	24	6.3	3840				

Classification

Model	BSC			
Coil Sensitivity	Standard DC Coil		High Sensitivity DC Coil	
	1C	1A	1C	1A
Plastic Sealed Type	BSC-SS-1□□D	BSC-SS-1□□DM	BSC-SS-1□□L	BSC-SS-1□□LM

Dimension



尺寸公差 (Dimension Tolerance) : < 1mm: $\pm 0.2\text{mm}$
 1--5mm: $\pm 0.3\text{mm}$
 > 5mm: $\pm 0.5\text{mm}$

ORDER INFORMATION

Product NO.: **BSC-SS-112L**

