

# BSFC-Series Single Conversion IF Output Satellite Tuner

**NEW HIGH PERFORMANCE TUNERS WITH VERSATILITY FOR HANDLING ANALOG OR DIGITAL VIDEO.**

## FEATURES

- First LO PLL tuning
- Low noise figure, 9 db typical (model dependent)
- 50 db typical AGC range
- RF and IF AGC provided in all models
- Conversion gain range from 20 db to 70 db, typical
- Low phase noise
- Input and output impedance: 75  $\Omega$
- Maximum input level: -20 dBm

New BSFC-Series tuners use SHARP's latest technology to provide reception of either modulated analog or digital data streams. Four different tuner models with varying performance characteristics can be used as receivers for analog or digital video, and for data streams.

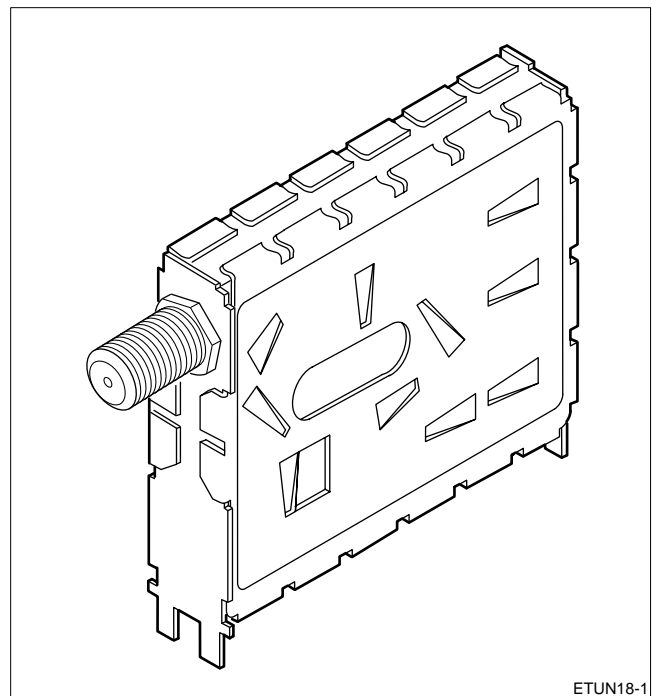
Each tuner's local oscillator is phase-lock loop-tuned using a 3-wire serial bus. The conversion intermediate frequency is filtered and provided on a pin at 479.5 MHz. In addition, IF ACG control is provided.

Both horizontal and vertical (pictured) package styles are available, along with a wide variety of SAW filters. Dual input versions may be available upon request. Filter configurations not shown in the model selection guide on back may also be available upon request.

## APPLICATIONS:

- Satellite receiver
- Data receiver
- Wide-band front end

## STANDARD BSFC VERTICAL PACKAGE



ETUN18-1

# PRODUCT INFORMATION

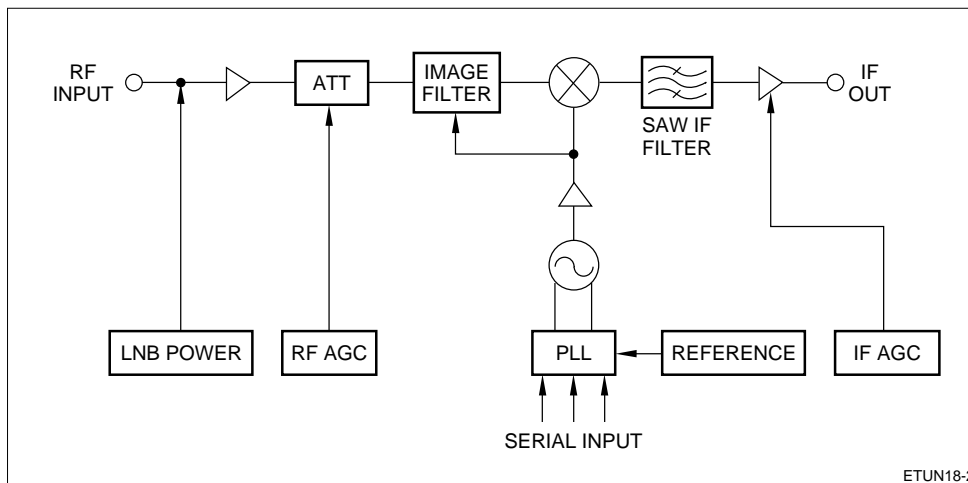
# SHARP

## MODEL SELECTION GUIDE

MODEL	INPUT FREQUENCY, MHz	BANDPASS FILTER, MHz	PACKAGE STYLE	POWER SUPPLY VOLTAGES
BSFC77GV6	950 - 2050	55	Vertical	5, 28
BSFC77GV8	950 - 2050	55	Horizontal	5, 28
BSFC78GW4	950 - 2150	27/36	Horizontal	5, 28
BSFC78GW6	950 - 2150	55	Horizontal	5, 28

Windows software for tuning the PLLs in the above listed models in a laboratory or test environment is available upon request.

## BASIC BLOCK DIAGRAM



## Sharp Electronics Corporation Regional Sales Offices

### North American Headquarters

Camas, WA  
Ph (360) 834-2500  
Fax (360) 834-8903

### West

Irvine, CA  
Ph (714) 250-0225  
Fax (714) 250-0438  
San Jose, CA  
Ph (408) 436-4900  
Fax (408) 436-0924

### Central

Romeoville, IL  
Ph (708) 226-2400  
Fax (708) 759-8572  
Auburn Hills, MI  
Ph (810) 377-9220  
Fax (810) 377-9222

Austin, TX  
Ph (512) 349-7262  
Fax (512) 349-7002  
DFW Airport, TX  
Ph (214) 574-5205  
Fax (214) 456-0360  
Houston, TX  
Ph (713) 955-9909  
Fax (713) 955-9910

### East

Burlington, MA  
Ph (617) 270-7979  
Fax (617) 229-9117  
Annadale, NJ  
Ph (908) 713-0505  
Fax (908) 713-0566  
Durham, NC  
Ph (919) 941-0065  
Fax (919) 941-0066

## Distributors

### Future Electronics

Canada  
Ph (514) 694-7710  
Fax (514) 695-3707

### Marshall Industries

El Monte, CA  
Ph (800) 522-0084  
Fax (818) 307-6173  
URL <http://www.marshall.com>

### Milgray

Farmindale, NY  
Ph (800) MILGRAY (645-4729)  
Fax (516) 293-6465

### Reptron

Tampa, FL  
Ph (800) 659-1361  
Fax (813) 854-2351

### Sterling Electronics Corp.

Houston, TX  
Ph (800) 745-5500  
Fax (713) 629-3939

FastFax Service: 1-800-833-9437

Product Information: 1-800-642-0261

World Wide Web Site: <http://www.sharpmeg.com>

**SHARP**  
FROM SHARP MINDS  
COME SHARP PRODUCTS™