

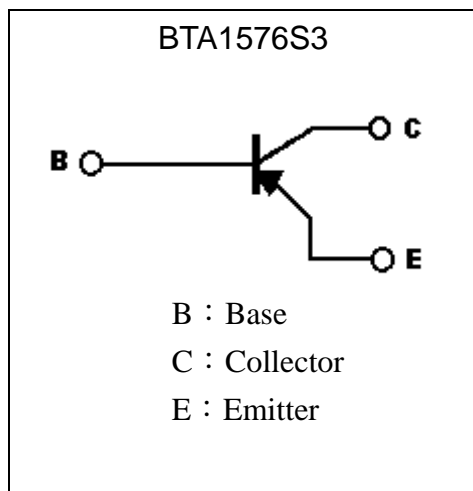
**General Purpose PNP Epitaxial Planar Transistor**

# BTA1576S3

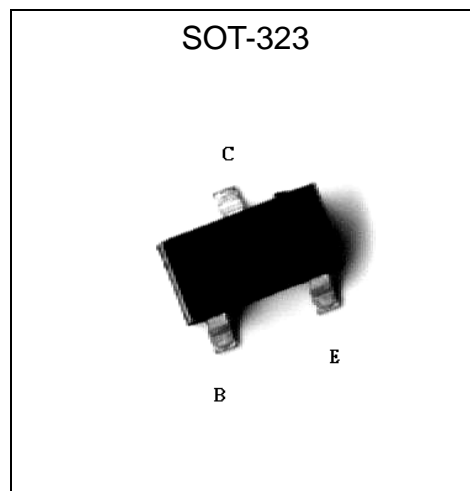
## Description

- The BTA1576S3 is designed for using in driver stage of AF amplifier and general purpose amplification.
- Excellent  $h_{FE}$  linearity
- Complementary to BTC4081S3.
- Pb-free lead plating and halogen-free package

## Symbol

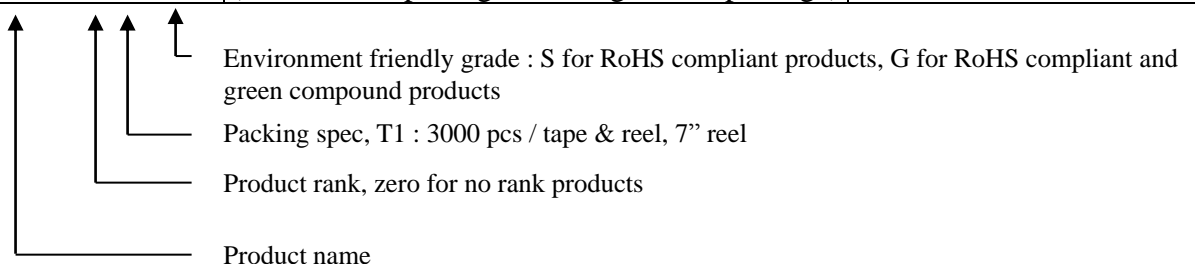


## Outline



## Ordering Information

Device	Package	Shipping
BTA1576S3-0-T1-G	SOT-323 (Pb-free lead plating and halogen-free package)	3000 pcs / Tape & Reel



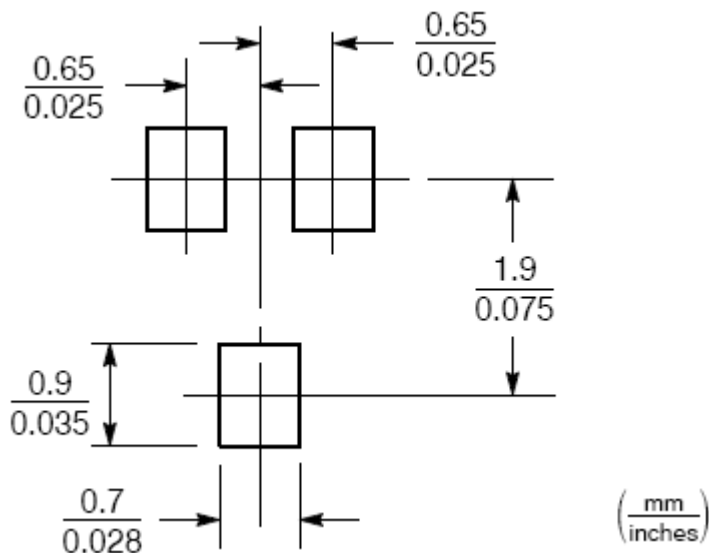
**Absolute Maximum Ratings** (Ta=25°C)

Parameter	Symbol	Limits	Unit
Collector-Base Voltage	V <sub>CB0</sub>	-100	V
Collector-Emitter Voltage	V <sub>CEO</sub>	-65	V
Emitter-Base Voltage	V <sub>EBO</sub>	-6	V
Collector Current	I <sub>C</sub>	-150	mA
Power Dissipation	P <sub>D</sub>	225	mW
Junction Temperature	T <sub>j</sub>	150	°C
Storage Temperature	T <sub>stg</sub>	-55~+150	°C

**Characteristics** (Ta=25°C)

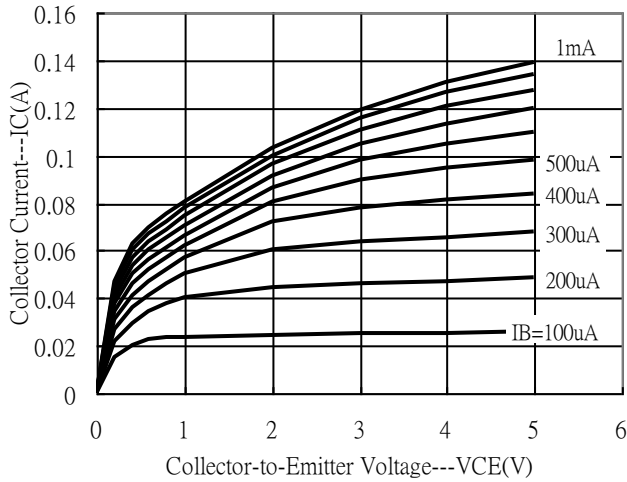
Symbol	Min.	Typ.	Max.	Unit	Test Conditions
BV <sub>CB0</sub>	-100	-	-	V	I <sub>C</sub> =-50μA
BV <sub>CEO</sub>	-65	-	-	V	I <sub>C</sub> =-1mA
BV <sub>EBO</sub>	-6	-	-	V	I <sub>E</sub> =-50μA
I <sub>CB0</sub>	-	-	-0.1	μA	V <sub>CB</sub> =-80V
I <sub>EBO</sub>	-	-	-0.1	μA	V <sub>EB</sub> =-6V
*V <sub>CE(sat)</sub>	-	-0.2	-0.5	V	I <sub>C</sub> =-50mA, I <sub>B</sub> =-5mA
*V <sub>BE(sat)</sub>	-0.7	-0.83	-1	V	I <sub>C</sub> =-50mA, I <sub>B</sub> =-5mA
*h <sub>FE</sub>	220	-	475	-	V <sub>CE</sub> =-6V, I <sub>C</sub> =-1mA
f <sub>T</sub>	100	160	-	MHz	V <sub>CE</sub> =-12V, I <sub>C</sub> =-2mA, f=30MHz
C <sub>ob</sub>	-	4.0	5.0	pF	V <sub>CB</sub> =-12V, f=1MHz

\*Pulse Test: Pulse Width ≤380μs, Duty Cycle ≤2%

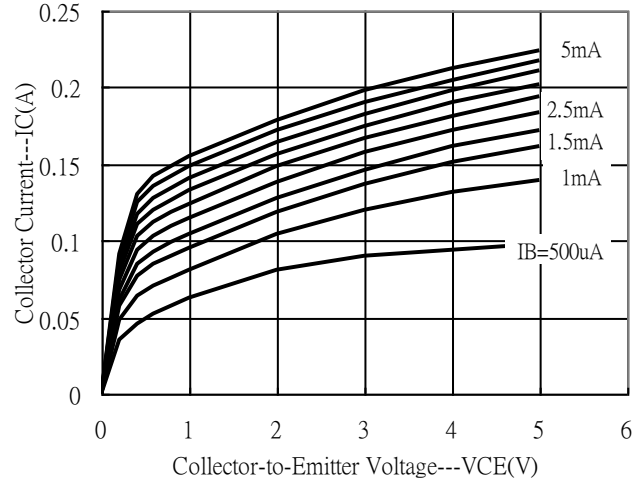
**Recommended Soldering Footprint**


## Typical Characteristics

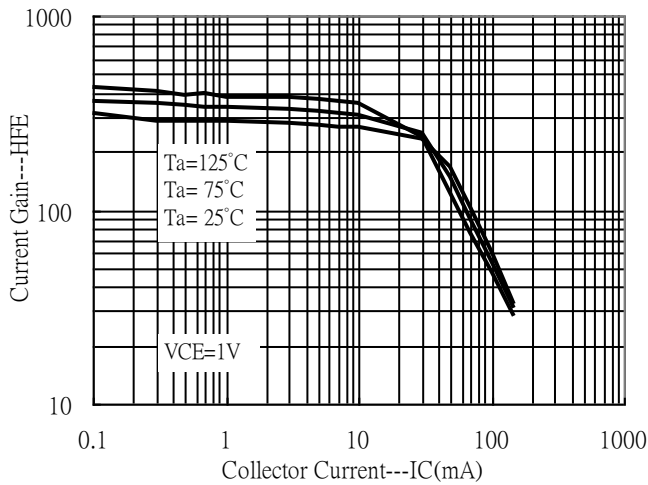
Emitter Grounded Output Characteristics



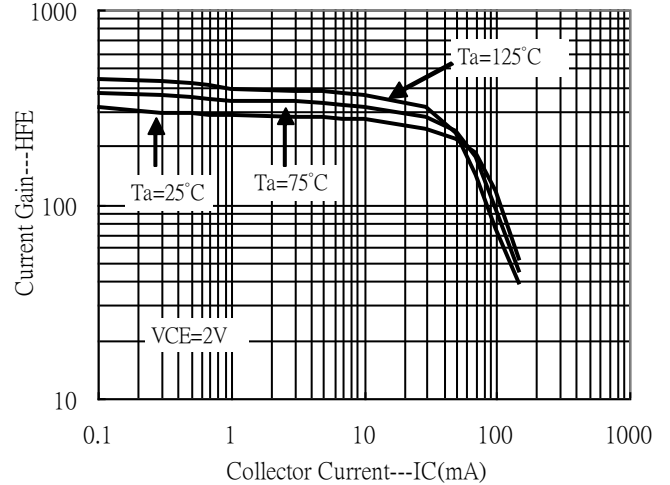
Emitter Grounded Output Characteristics



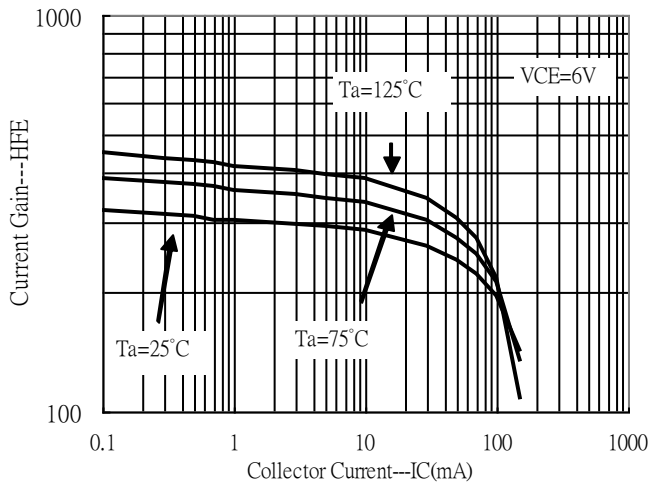
Current Gain vs Collector Current



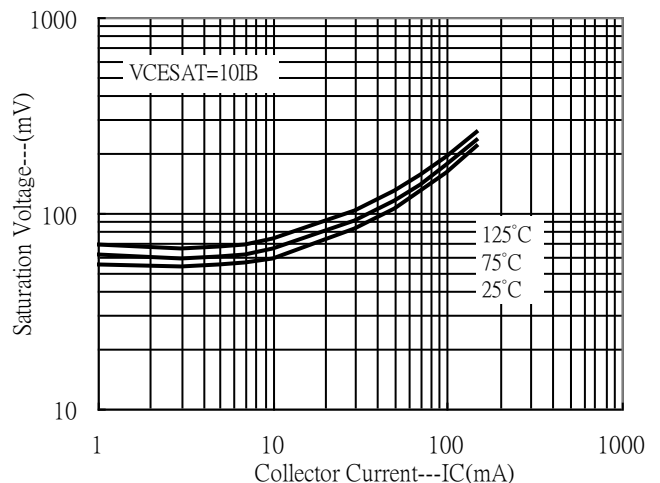
Current Gain vs Collector Current



Current Gain vs Collector Current

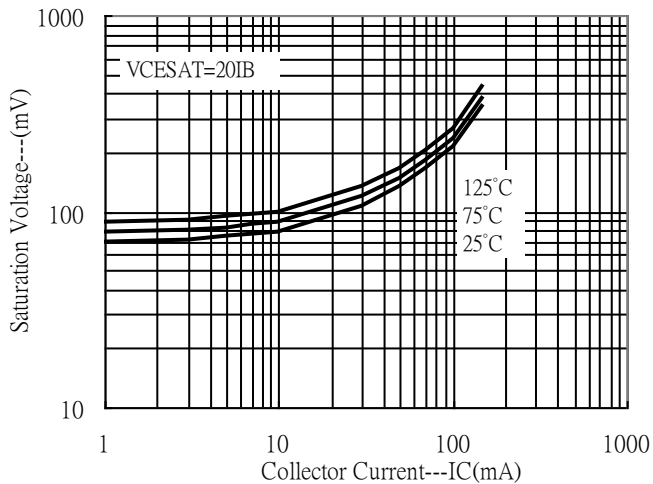


Saturation Voltage vs Collector Current

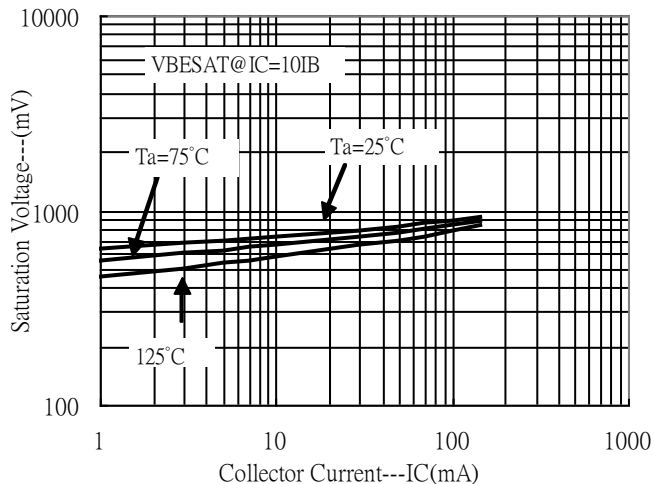


**Typical Characteristics(Cont.)**

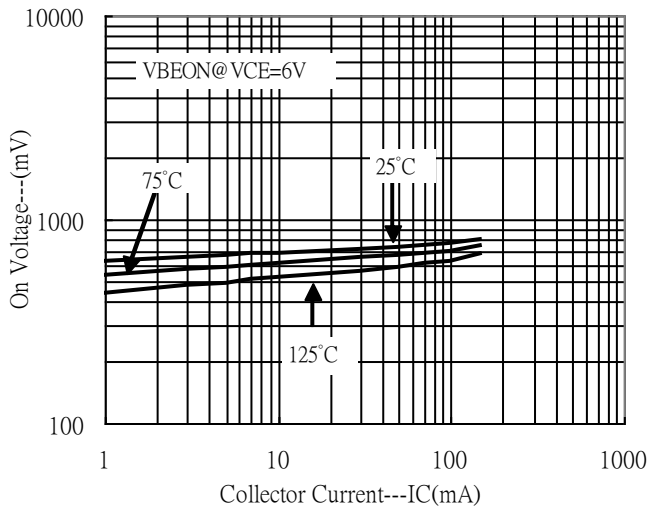
Saturation Voltage vs Collector Current



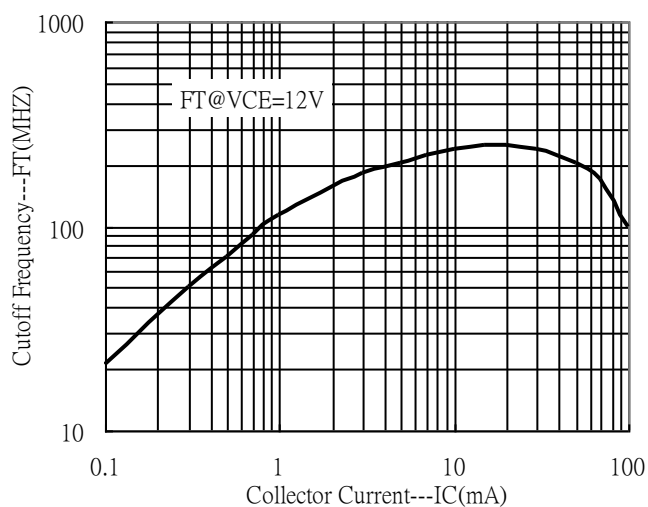
Saturation Voltage vs Collector Current



On Voltage vs Collector Current

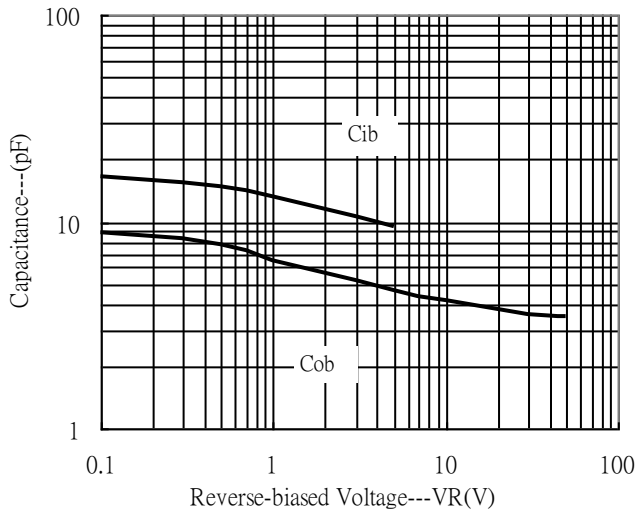


Cutoff Frequency vs Collector Current

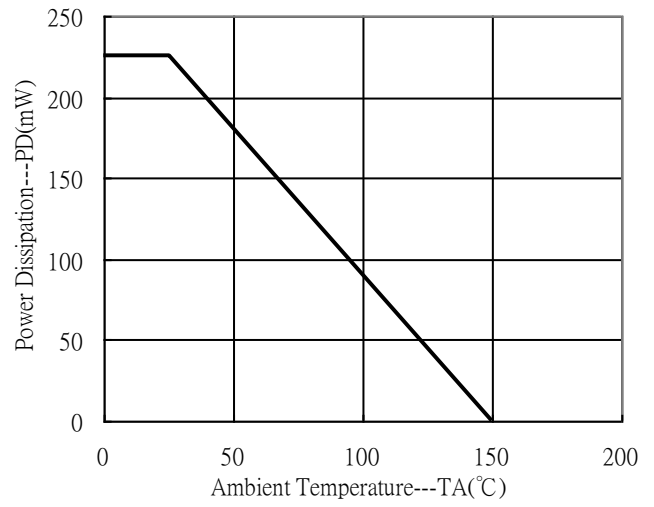




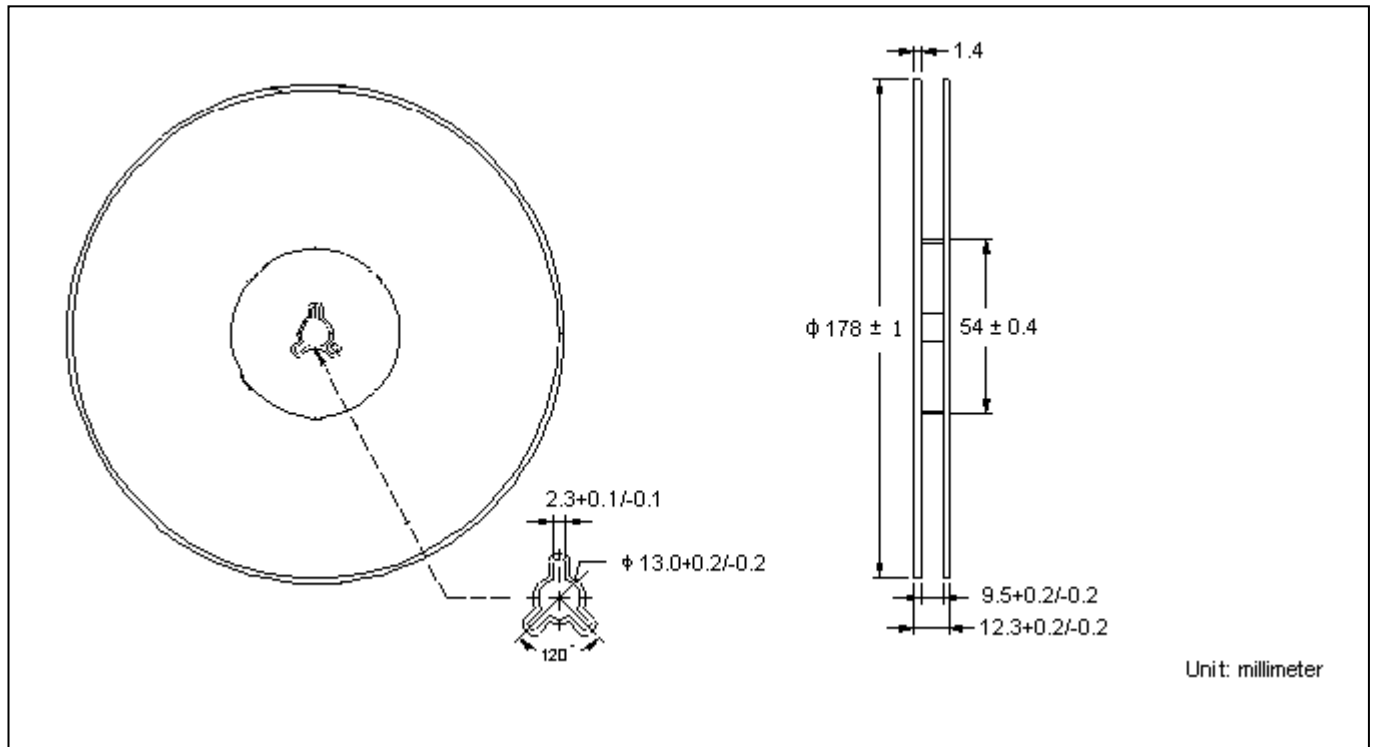
Capacitance vs Reverse-biased Voltage



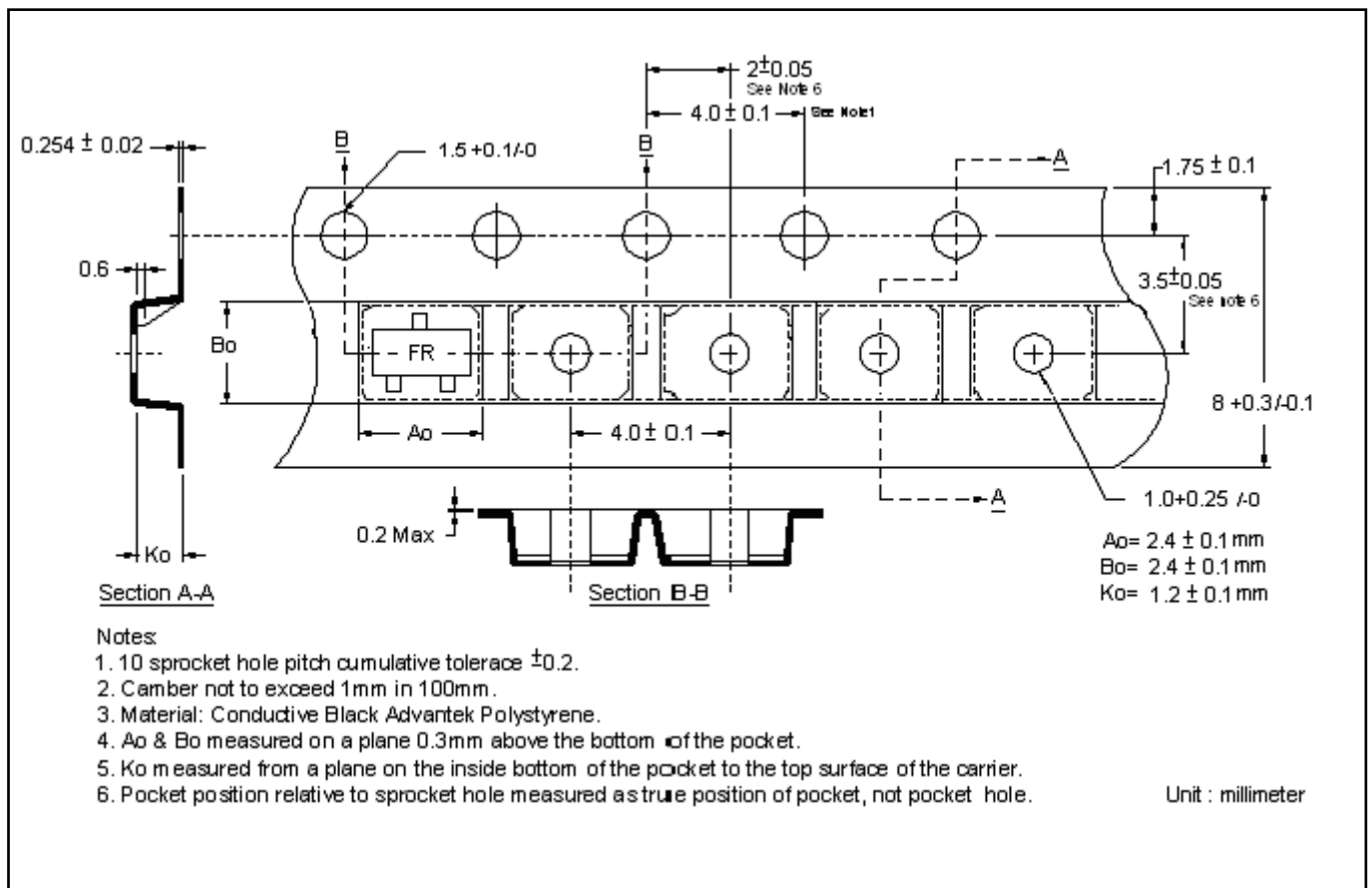
Power Derating Curve



### Reel Dimension



### Carrier Tape Dimension

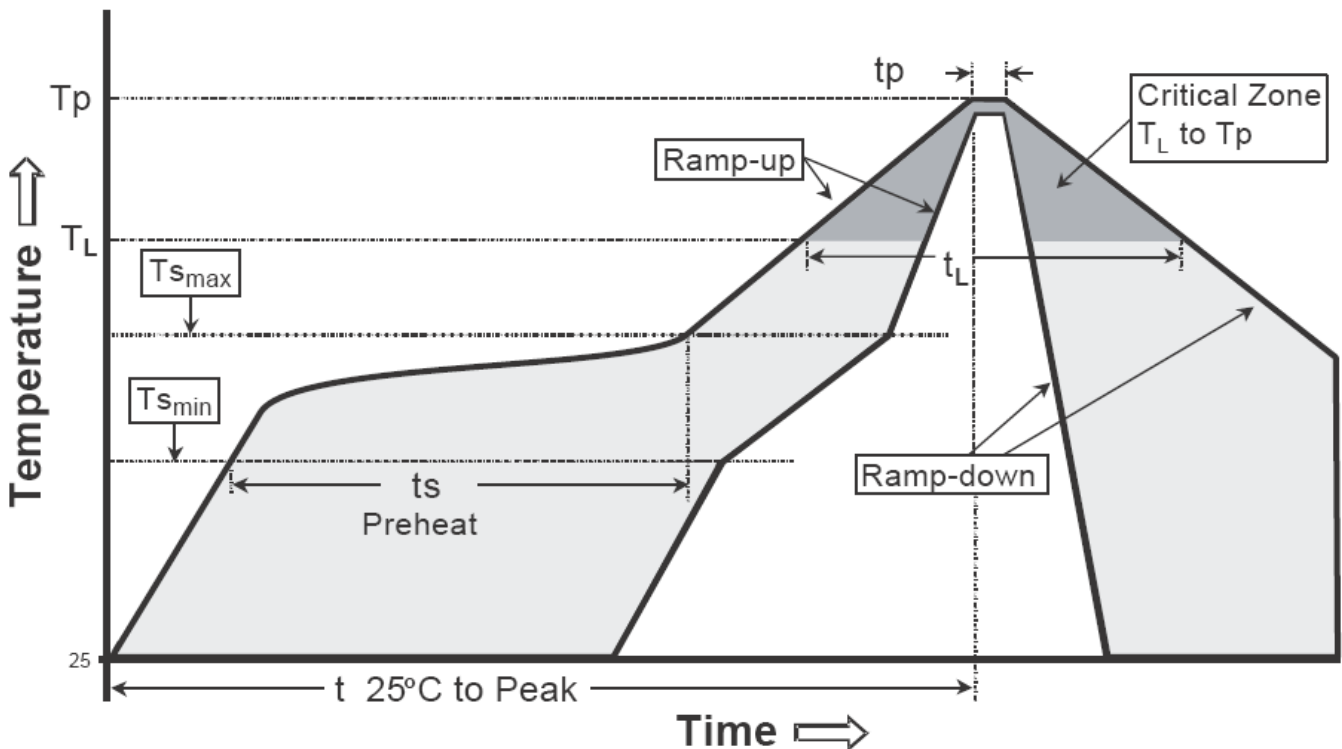




**Recommended wave soldering condition**

Product	Peak Temperature	Soldering Time
Pb-free devices	260 +0/-5 °C	5 +1/-1 seconds

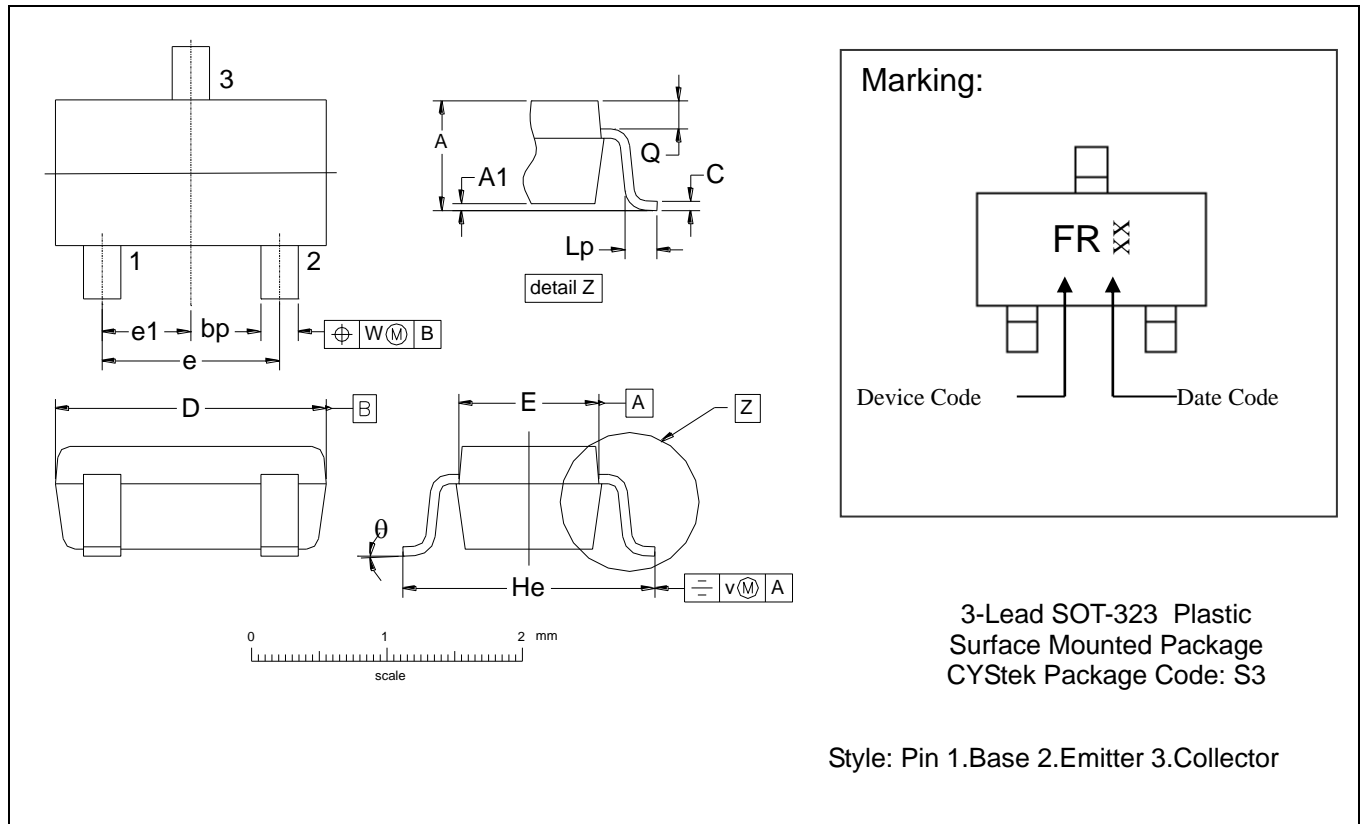
**Recommended temperature profile for IR reflow**



Profile feature	Sn-Pb eutectic Assembly	Pb-free Assembly
Average ramp-up rate (T <sub>smax</sub> to T <sub>p</sub> )	3°C/second max.	3°C/second max.
Preheat		
-Temperature Min(T <sub>s min</sub> )	100°C	150°C
-Temperature Max(T <sub>s max</sub> )	150°C	200°C
-Time(t <sub>s min</sub> to t <sub>s max</sub> )	60-120 seconds	60-180 seconds
Time maintained above:		
-Temperature (T <sub>L</sub> )	183°C	217°C
- Time (t <sub>L</sub> )	60-150 seconds	60-150 seconds
Peak Temperature(T <sub>p</sub> )	240 +0/-5 °C	260 +0/-5 °C
Time within 5°C of actual peak temperature(tp)	10-30 seconds	20-40 seconds
Ramp down rate	6°C/second max.	6°C/second max.
Time 25 °C to peak temperature	6 minutes max.	8 minutes max.

Note : All temperatures refer to topside of the package, measured on the package body surface.

**SOT-323 Dimension**



\*: Typical

DIM	Inches		Millimeters		DIM	Inches		Millimeters	
	Min.	Max.	Min.	Max.		Min.	Max.	Min.	Max.
A	0.0315	0.0433	0.80	1.10	e1	0.0256*		0.65*	
A1	0.0000	0.0039	0.00	0.10	He	0.0846	0.0965	2.15	2.45
bp	0.0078	0.0157	0.20	0.40	Lp	0.0105	0.0181	0.26	0.46
C	0.0031	0.0059	0.08	0.15	Q	0.0051	0.0091	0.13	0.23
D	0.0709	0.0866	1.80	2.20	v	0.0079	-	0.2	-
E	0.0453	0.0531	1.15	1.35	w	0.0079	-	0.2	-
e	0.0472	0.0551	1.20	1.40	θ	0°	8°	0°	8°

Notes: 1.Controlling dimension: millimeters.  
 2.Maximum lead thickness includes lead finish thickness, and minimum lead thickness is the minimum thickness of base material.  
 3.If there is any question with packing specification or packing method, please contact your local CYStek sales office.

**Material:**

- Lead: Pure tin plated.
- Mold Compound: Epoxy resin family, flammability solid burning class: UL94V-0.

**Important Notice:**

- All rights are reserved. Reproduction in whole or in part is prohibited without the prior written approval of CYStek.
- CYStek reserves the right to make changes to its products without notice.
- CYStek **semiconductor products are not warranted to be suitable for use in Life-Support Applications, or systems.**
- CYStek assumes no liability for any consequence of customer product design, infringement of patents, or application assistance.