

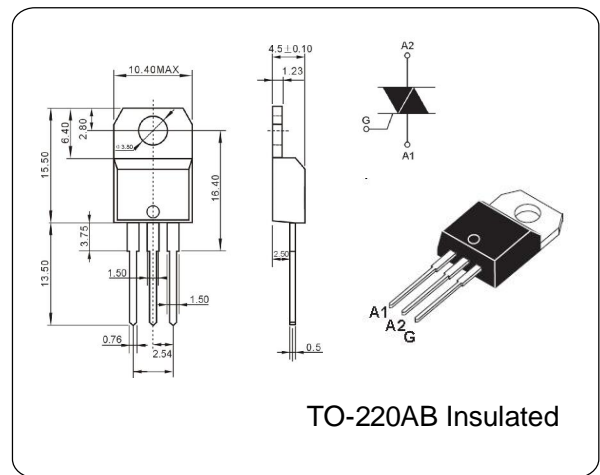
16A TRIACS
BTA16-600B
GENERAL DESCRIPTION

Available either in through-hole or surface-mount packages, the BTA16 - 600B triac series is suitable for general purpose AC switching. They can be used as an ON/OFF function in applications such as static relays, heating regulation, induction motor starting circuits... or for phase control operation in light dimmers, motor speed controllers, ...

The snubberless versions (BTA series) are specially recommended for use on inductive loads, thanks to their high commutation performances. By using an internal ceramic pad, the BTA series provides voltage insulated tab (rated at 2500V RMS) complying with UL standards.

ABSOLUTE MAXIMUM RATINGS (Ta = 25 °C)

PARAMETER	Symbol	Value	Unit
Repetitive peak off-state voltages	V_{DRM}	600	V
peak off-state reverse voltages	V_{RRM}	600	V
RMS on-state current	I_T	16.0	A
Non-repetitive peak on-state current	I_{TSM}	168	A
Max. Operating Junction Temperature	T_j	110	°C
Storage Temperature	T_{stg}	-45~150	°C


ELECTRICAL CHARACTERISTICS (Ta = 25 °C)

PARAMETER	Symbol	Test Conditions	Min.	Max	Unit
Repetitive peak off-state voltages	V_{DRM}	$I_D=0.1mA$	600	—	V
Repetitive peak off-state current	I_{DRM}	$V_{DRM}=520V$	—	10	uA
On-state voltage	V_{TM}	$I_T=22.5A$	—	1.55	V
Holding current	I_H	$I_T=0.5A, I_{GT}=50mA$	—	50	mA
Gate trigger Current	T2+G+	$V_{AK}=12V, R_L=30\Omega$	—	50	mA
	T2+G-		—	50	
	T2-G-		—	50	
	T2-G+		—	100	
Gate trigger Voltage	T2+G+	$V_{AK}=12V, R_L=30\Omega$	—	1.5	V
	T2+G-		—	1.5	
	T2-G-		—	1.5	
	T2-G+		—	2.0	