



**BTA40**

Preliminary

**TRIAC**

**40A STANDARD TRIAC**

■ DESCRIPTION

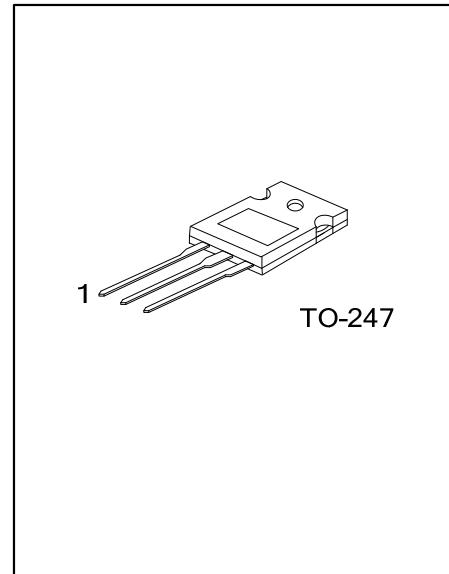
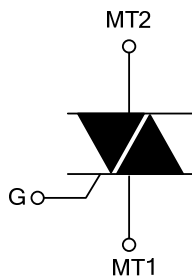
The UTC **BTA40** is a 40A standard triac, it uses UTC's advanced technology to provide customers with low thermal resistance with clip bonding and high commutation capability, etc.

The UTC **BTA40** is suitable for general purpose AC switching, heating regulation and on/off function in static relays, etc.

■ FEATURES

- \* Low thermal resistance with clip bonding
- \* High current capability
- \* High commutation capability

■ SYMBOL



■ ORDERING INFORMATION

Ordering Number		Package	Pin Assignment			Packing
Lead Free	Halogen Free		1	2	3	
BTA40L-x-x-T47-T	BTA40G-x-x-T47-T	TO-247	MT1	MT2	G	Tube

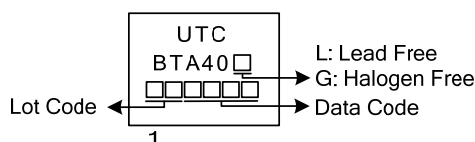
<p><b>BTA40L-x-x-T47-T</b></p> <ul style="list-style-type: none"> <li>(1) Packing Type</li> <li>(2) Package Type</li> <li>(3) Sensitivity and type</li> <li>(4) Voltage</li> <li>(5) Green Package</li> </ul>	<ul style="list-style-type: none"> <li>(1) T: Tube</li> <li>(2) T47: TO-247</li> <li>(3) refer to SENSITIVITY AND TYPE</li> <li>(4) 6: 600V, 8: 800V</li> <li>(5) L: Lead Free, G: Halogen Free and Lead Free</li> </ul>
---	--

■ SENSITIVITY AND TYPE

PART NUMBER	VOLTAGE		SENSITIVITY	TYPE
	600V	800V		
B	⊙	⊙	50mA	STANDARD

⊙: Available

■ MARKING



### ■ ABSOLUTE MAXIMUM RATINGS

PARAMETER		SYMBOL	RATINGS	UNIT
On-State RMS Current (Full Sine Wave)	$T_C=80^\circ\text{C}$	$I_{T(RMS)}$	40	A
Non Repetitive Surge Peak On-State Current (Full Cycle, $T_J$ initial= $25^\circ\text{C}$ )	F=50Hz, t=20ms	$I_{TSM}$	400	A
	F=60Hz, t=16.7ms		420	A
$I^2t$ Value for Fusing	$t_p=10\text{ms}$	$I^2t$	1000	$\text{A}^2\text{s}$
Critical Rate of Rise of On-State Current: $I_G=2xI_{GT}$ , $t_r \leq 100\text{ns}$	F=120Hz, $T_J=125^\circ\text{C}$	dI/dt	50	$\text{A}/\mu\text{s}$
Non Repetitive Surge Peak Off-State Voltage	$t_p=10\text{ms}$ , $T_J=25^\circ\text{C}$	$V_{DSM}/V_{RSM}$	$V_{DSM}/V_{RSM}+100$	V
Peak Gate Current	$t_p=20\mu\text{s}$ , $T_J=125^\circ\text{C}$	$I_{GM}$	8	A
Average Gate Power Dissipation	$T_J=125^\circ\text{C}$	$P_{G(AV)}$	1	W
Operating Junction Temperature		$T_J$	-40~+125	$^\circ\text{C}$
Storage Junction Temperature		$T_{STG}$	-40~+150	$^\circ\text{C}$

Note: Absolute maximum ratings are those values beyond which the device could be permanently damaged. Absolute maximum ratings are stress ratings only and functional device operation is not implied.

### ■ DEVICE SUMMARY

PARAMETER	SYMBOL	RATINGS	UNIT
On-State RMS Current	$I_{T(RMS)}$	40	A
Repetitive Peak Off-State Voltage	$V_{DRM}/V_{RRM}$	600	V
Triggering Gate Current	$I_{GT}$	50	mA

### ■ THERMAL RESISTANCES

PARAMETER	SYMBOL	RATINGS	UNIT
Junction to Ambient	$\theta_{JA}$	40	$^\circ\text{C}/\text{W}$
Junction to Case (AC)	$\theta_{JC}$	1.5	$^\circ\text{C}/\text{W}$

### ■ ELECTRICAL CHARACTERISTICS ( $T_J=25^\circ\text{C}$ , unless otherwise specified)

PARAMETER	SYMBOL	TEST CONDITIONS	MIN	TYP	MAX	UNIT
Gate Trigger Current (Note 1)	$I_{GT}$	$V_D=12\text{V}$ , $R_L=33\Omega$	I-II-III		50	mA
			IV		100	mA
Gate Trigger Voltage	$V_{GT}$				1.3	V
Gate Non-Trigger Voltage	$V_{GD}$	$V_D=V_{DRM}$ , $R_L=3.3\text{k}\Omega$ , $T_J=125^\circ\text{C}$	ALL	0.2		V
Holding Current (Note 2)	$I_H$	$I_T=500\text{mA}$			80	mA
Latching Current	$I_L$	$I_G=1.2I_{GT}$	I-III-IV		70	mA
			II		160	mA
Critical Rate of Rise of Off-State Voltage (Note 2)	dV/dt	$V_D=67\%V_{DRM}$ , Gate Open, $T_J=125^\circ\text{C}$	500			$\text{V}/\mu\text{s}$
Critical Rate of Rise of Off-State Voltage at Commutation (Note 2)	(dV/dt) <sub>c</sub>	(dI/dt) <sub>c</sub> =20A/ms, $T_J=125^\circ\text{C}$	10			$\text{V}/\mu\text{s}$

### ■ STATIC CHARACTERISTICS

PARAMETER	SYMBOL	TEST CONDITIONS	MIN	TYP	MAX	UNIT
Peak On-State Voltage (Note 2)	$V_{TM}$	$I_{TM}=60\text{A}$ , $t_p=380\mu\text{s}$ , $T_J=25^\circ\text{C}$			1.55	V
Threshold Voltage (Note 2)	$V_{TO}$	$T_J=125^\circ\text{C}$			0.85	V
Dynamic Resistance (Note 2)	$R_D$	$T_J=125^\circ\text{C}$			10	m $\Omega$
Repetitive Peak Off-State Current	$I_{DRM}$	$V_{DRM}=V_{RRM}$ , $T_J=25^\circ\text{C}$			5	$\mu\text{A}$
	$I_{RRM}$	$V_{DRM}=V_{RRM}$ , $T_J=125^\circ\text{C}$			5	mA

Notes: 1. Minimum  $I_{GT}$  is guaranteed at 5% of  $I_{GT}$  max.

2. For both polarities of MT2 referenced to MT1.

UTC assumes no responsibility for equipment failures that result from using products at values that exceed, even momentarily, rated values (such as maximum ratings, operating condition ranges, or other parameters) listed in products specifications of any and all UTC products described or contained herein. UTC products are not designed for use in life support appliances, devices or systems where malfunction of these products can be reasonably expected to result in personal injury. Reproduction in whole or in part is prohibited without the prior written consent of the copyright owner. The information presented in this document does not form part of any quotation or contract, is believed to be accurate and reliable and may be changed without notice.