

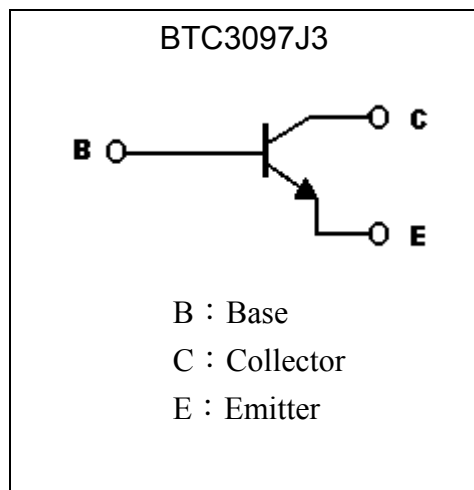
High Voltage NPN Triple Diffused Planar Transistor

BTC3097J3

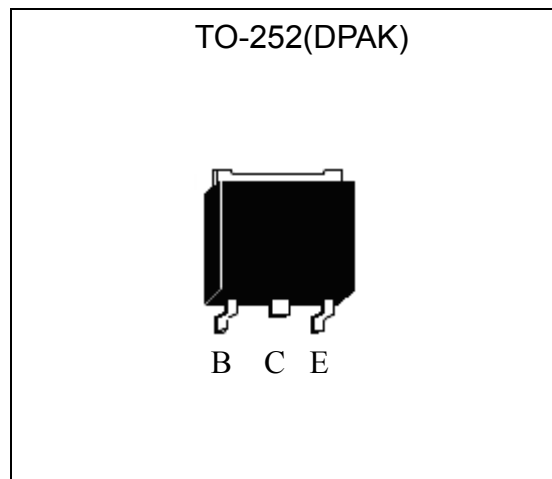
Features

- High voltage, $BV_{CBO}=1600V$ min., $BV_{CEO}=800V$ min.
- Pb-free lead plating package

Symbol

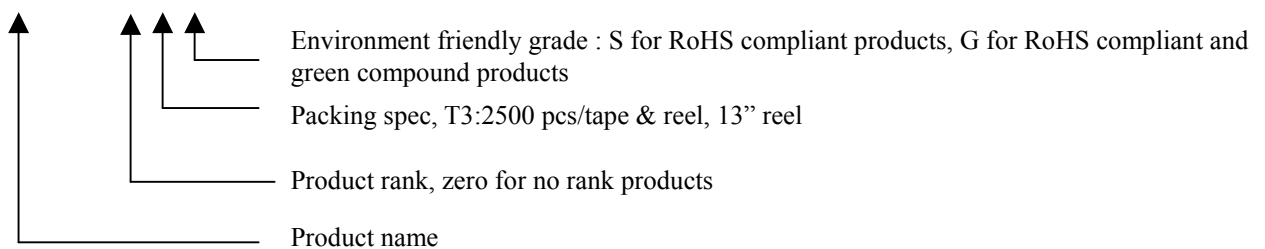


Outline



Ordering Information

Device	Package	Shipping
BTC3097J3-0-T3-G	TO-252 (Pb-free lead plating and halogen-free package)	2500 pcs / Tape & Reel





Absolute Maximum Ratings (Ta=25°C)

Parameter	Symbol	Limit	Unit
Collector-Base Voltage	V _{CB0}	1600	V
Collector-Emitter Voltage	V _{CE0}	800	V
Emitter-Base Voltage	V _{EBO}	6	V
Collector Current	I _C (DC)	1	A
	I _C (Pulse)	3 *1	A
Base Current	I _B	0.5	A
Power Dissipation @T _A =25°C	P _D	1	W
Power Dissipation @T _C =25°C		40	
Operating Junction and Storage Temperature Range	T _j ; T _{stg}	-55~+150	°C

Note : *1. Single Pulse P_w ≤ 300μs, Duty ≤ 2%.

Thermal Data

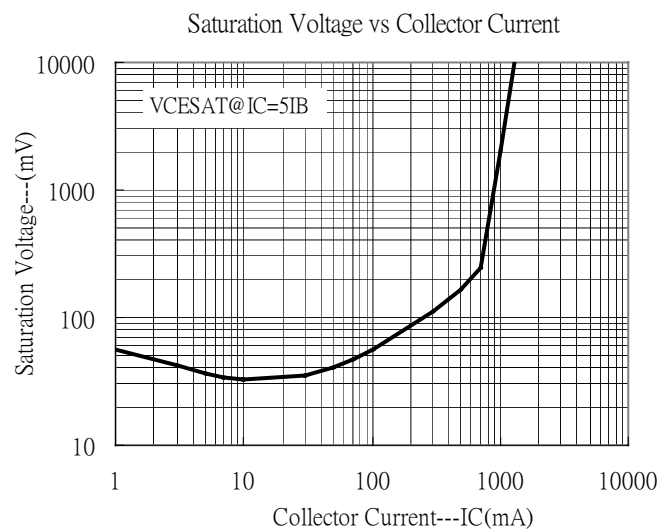
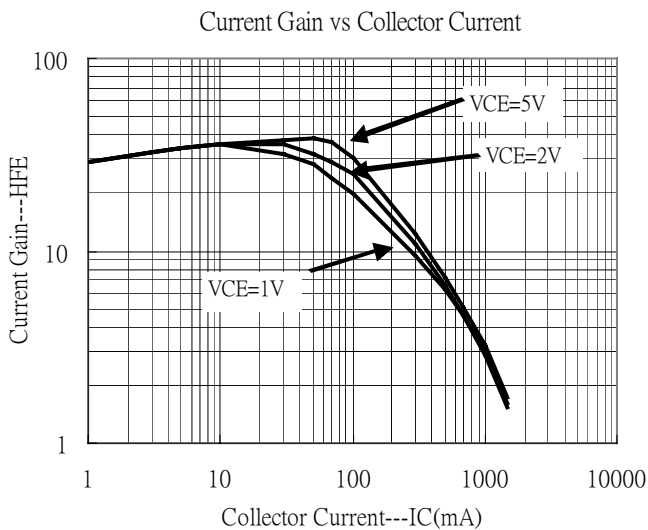
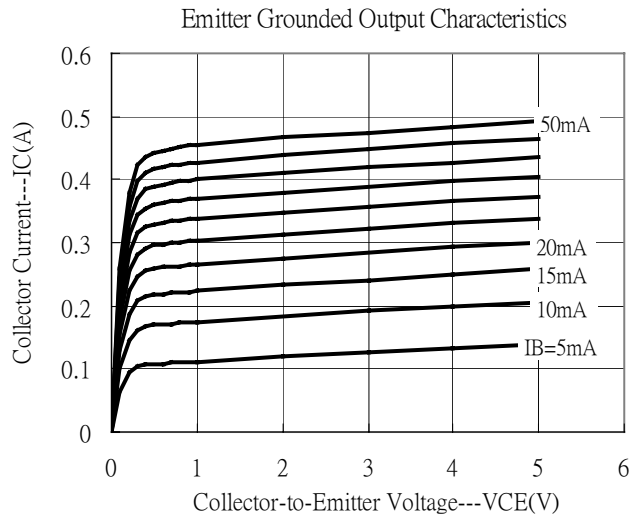
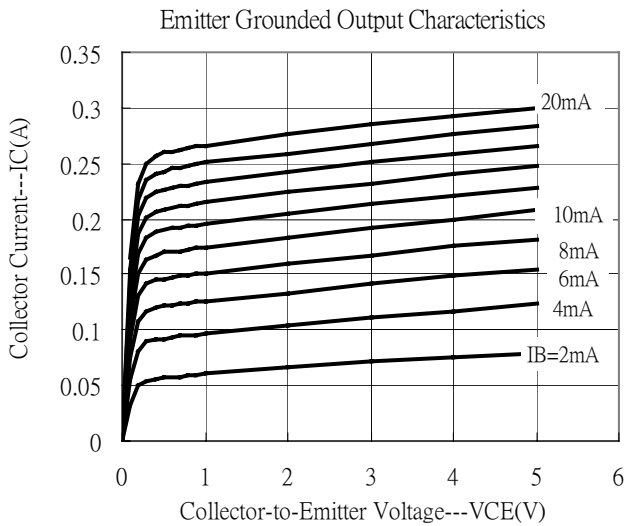
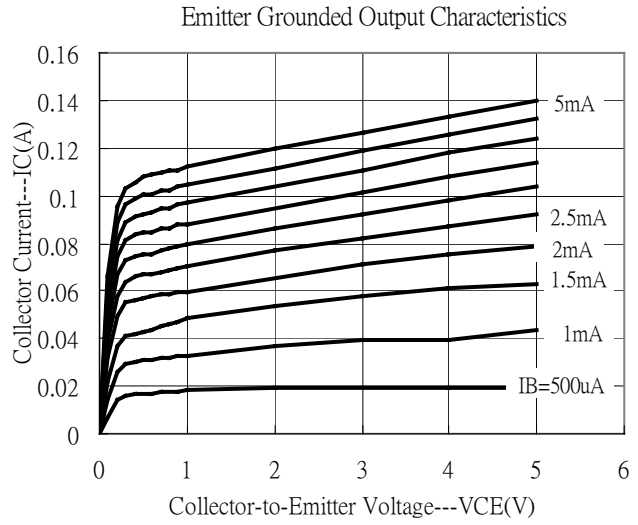
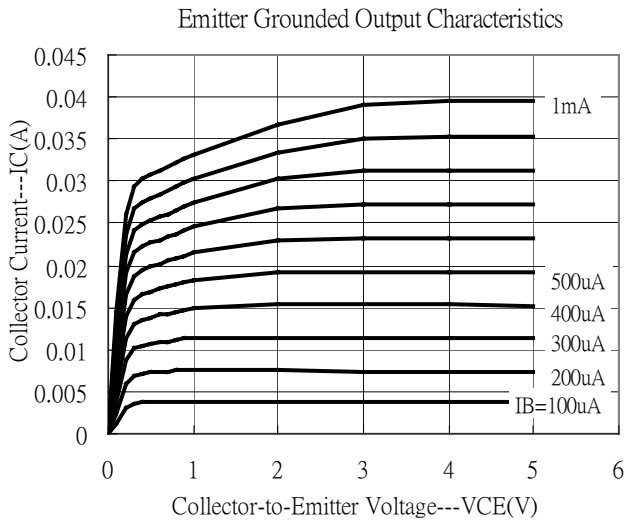
Parameter	Symbol	Value	Unit
Thermal Resistance, Junction-to-case, max	R _{th,j-c}	12.5	°C/W
Thermal Resistance, Junction-to-ambient, max	R _{th,j-a}	3.1	°C/W

Characteristics (Ta=25°C)

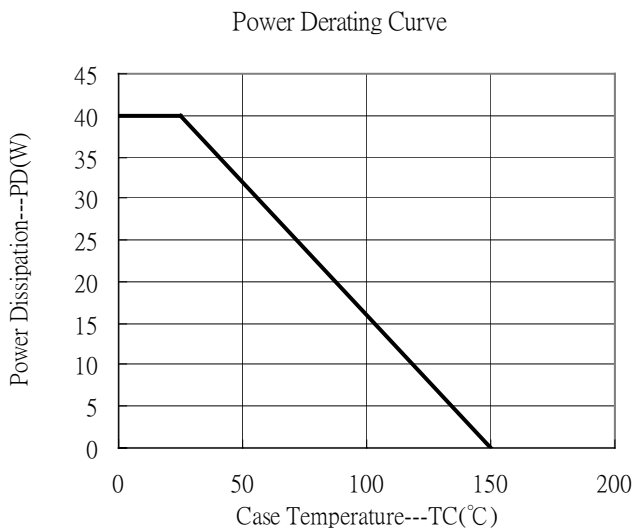
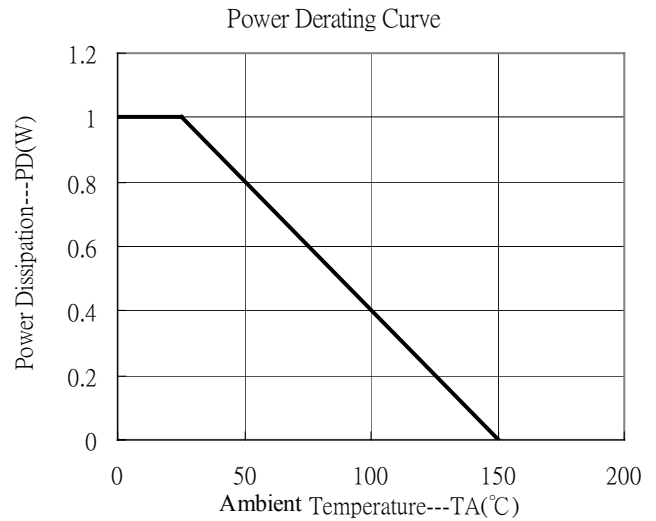
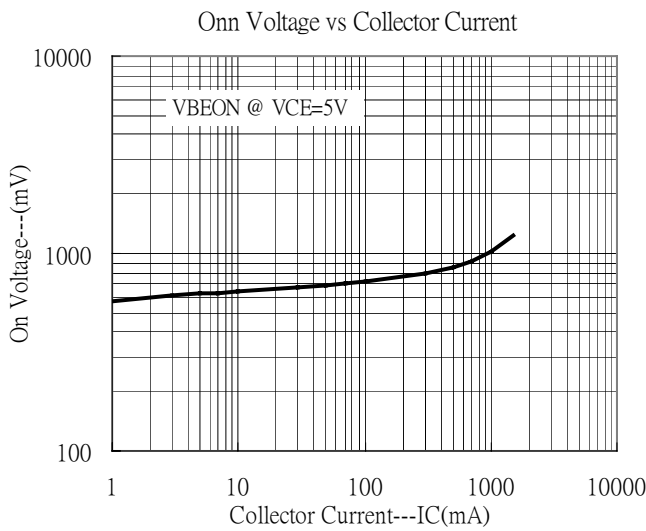
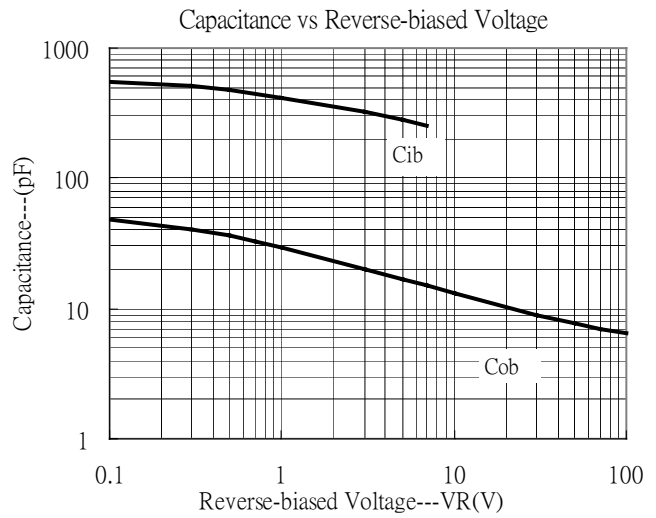
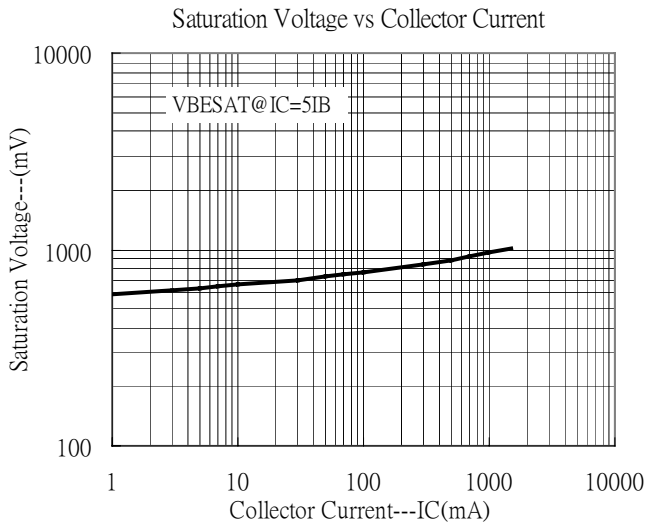
Symbol	Min.	Typ.	Max.	Unit	Test Conditions
BV _{CB0}	1600	-	-	V	I _C =100μA, I _E =0
BV _{CE0}	800	-	-	V	I _C =1mA, I _B =0
BV _{EBO}	6	-	-	V	I _E =100μA, I _C =0
I _{CB0}	-	-	10	μA	V _{CB} =1600V, I _E =0
I _{CE0}	-	-	10	μA	V _{CB} =800V, I _B =0
I _{EBO}	-	-	100	nA	V _{EB} =6V, I _C =0
*V _{CE(sat)}	-	-	0.3	V	I _C =200mA, I _B =40mA
*V _{CE(sat)}	-	-	0.4	V	I _C =500mA, I _B =100mA
*V _{BE(sat)}	-	-	1.2	V	I _C =500mA, I _B =100mA
*h _{FE1}	20	-	-	-	V _{CE} =5V, I _C =10mA
*h _{FE2}	22	-	45	-	V _{CE} =5V, I _C =100mA
*h _{FE3}	5	-	-	-	V _{CE} =5V, I _C =500mA
C _{ob}	-	10	-	pF	V _{CB} =10V, f=1MHz
tr	-	-	0.8	μs	V _{CC} =400V, I _C =0.5A, I _{B1} =0.1A I _{B2} =-0.2A
t _{stg}	-	-	3		
t _f	-	-	0.4		

*Pulse Test : Pulse Width ≤ 300μs, Duty Cycles ≤ 2%

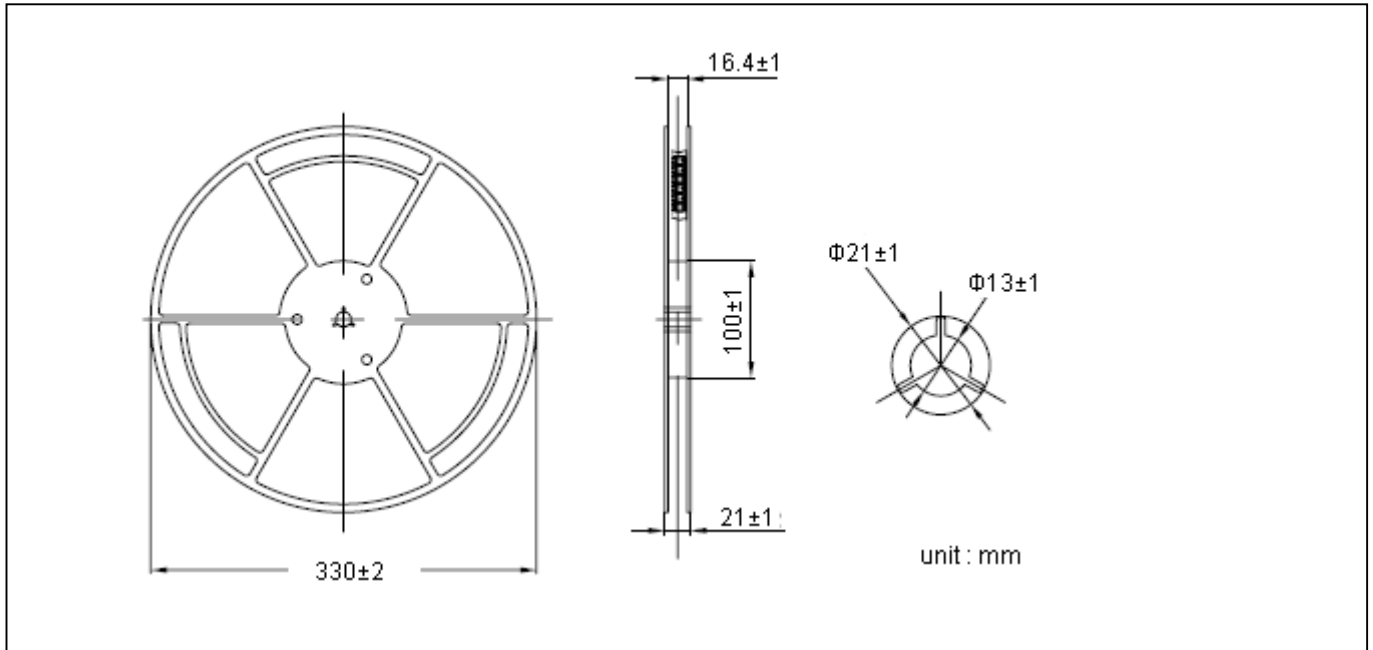
Typical Characteristics



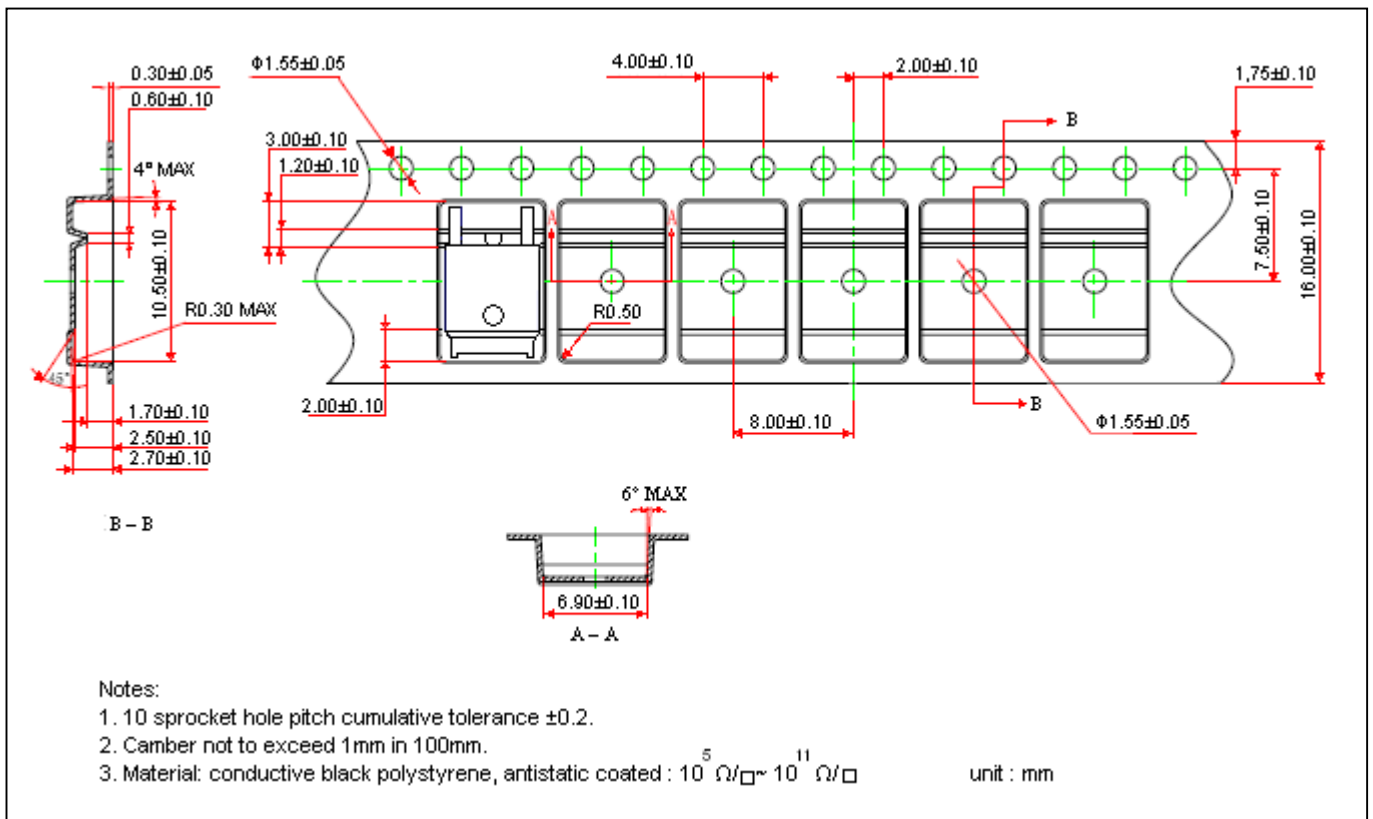
Typical Characteristics(Cont.)



Reel Dimension



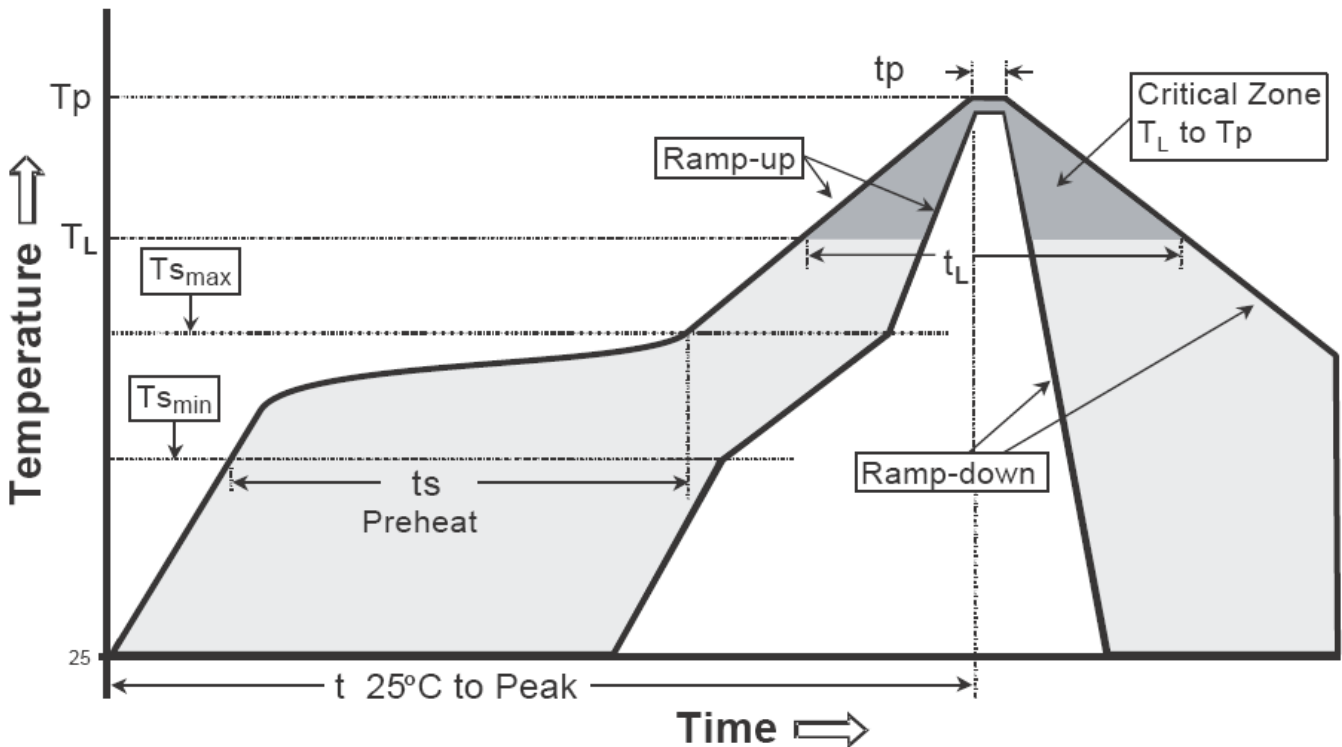
Carrier Tape Dimension



Recommended wave soldering condition

Product	Peak Temperature	Soldering Time
Pb-free devices	260 +0/-5 °C	5 +1/-1 seconds

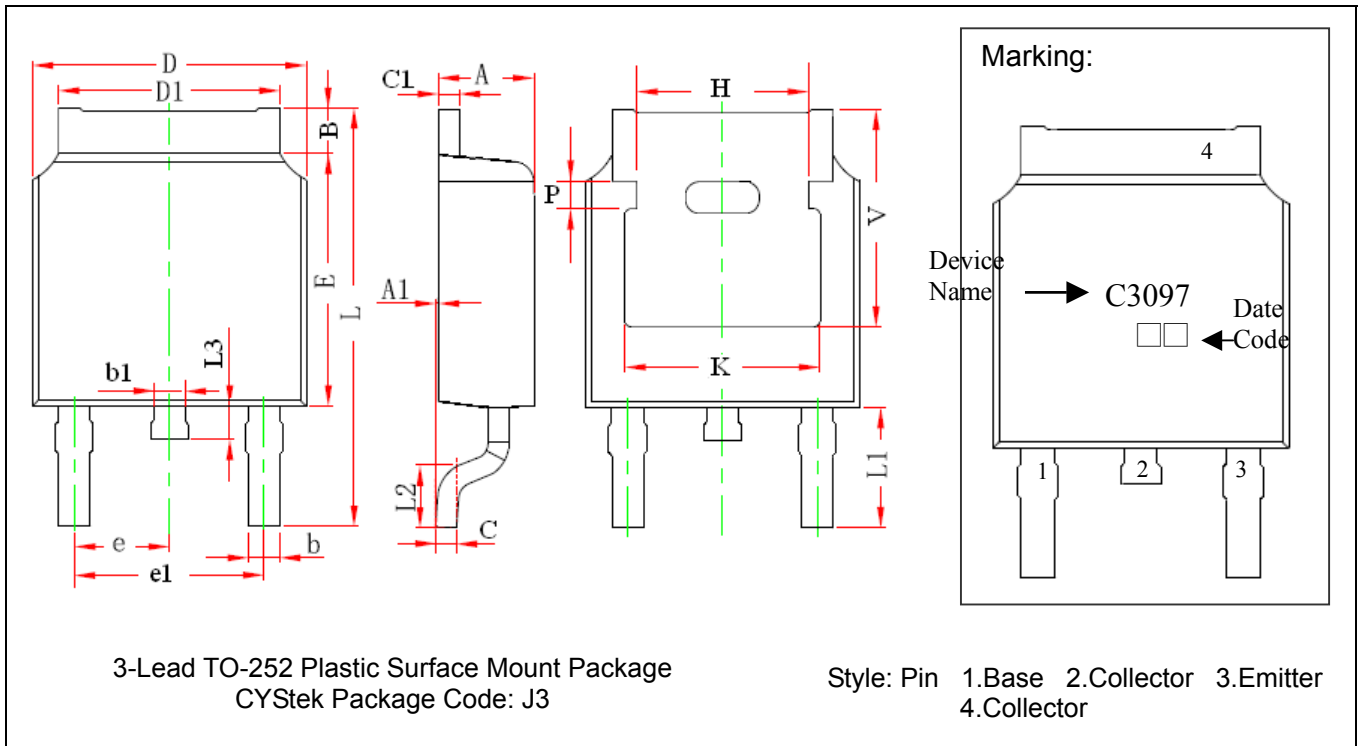
Recommended temperature profile for IR reflow



Profile feature	Sn-Pb eutectic Assembly	Pb-free Assembly
Average ramp-up rate (T _{smax} to T _p)	3°C/second max.	3°C/second max.
Preheat		
-Temperature Min(T _{s min})	100°C	150°C
-Temperature Max(T _{s max})	150°C	200°C
-Time(t _{s min} to t _{s max})	60-120 seconds	60-180 seconds
Time maintained above:		
-Temperature (T _L)	183°C	217°C
- Time (t _L)	60-150 seconds	60-150 seconds
Peak Temperature(T _P)	240 +0/-5 °C	260 +0/-5 °C
Time within 5°C of actual peak temperature(tp)	10-30 seconds	20-40 seconds
Ramp down rate	6°C/second max.	6°C/second max.
Time 25 °C to peak temperature	6 minutes max.	8 minutes max.

Note : All temperatures refer to topside of the package, measured on the package body surface.

TO-252 Dimension



DIM	Inches		Millimeters		DIM	Inches		Millimeters	
	Min.	Max.	Min.	Max.		Min.	Max.	Min.	Max.
A	0.087	0.094	2.200	2.400	e	0.086	0.094	2.186	2.386
A1	0.000	0.005	0.000	0.127	e1	0.172	0.188	4.372	4.772
B	0.039	0.048	0.990	1.210	H	0.163	REF	4.140	REF
b	0.026	0.034	0.660	0.860	K	0.190	REF	4.830	REF
b1	0.026	0.034	0.660	0.860	L	0.386	0.409	9.800	10.400
C	0.018	0.023	0.460	0.580	L1	0.114	REF	2.900	REF
C1	0.018	0.023	0.460	0.580	L2	0.055	0.067	1.400	1.700
D	0.256	0.264	6.500	6.700	L3	0.024	0.039	0.600	1.000
D1	0.201	0.215	5.100	5.460	P	0.026	REF	0.650	REF
E	0.236	0.244	6.000	6.200	V	0.211	REF	5.350	REF

Notes: 1.Controlling dimension: millimeters.
 2.Maximum lead thickness includes lead finish thickness, and minimum lead thickness is the minimum thickness of base material.
 3.If there is any question with packing specification or packing method, please contact your local CYStek sales office.

Material:

- Lead : Pure tin plated.
- Mold Compound: Epoxy resin family, flammability solid burning class: UL94V-0.

Important Notice:

- All rights are reserved. Reproduction in whole or in part is prohibited without the prior written approval of CYStek.
- CYStek reserves the right to make changes to its products without notice.
- CYStek **semiconductor products are not warranted to be suitable for use in Life-Support Applications, or systems.**
- CYStek assumes no liability for any consequence of customer product design, infringement of patents, or application assistance.