

BTM7751G

TrilithIC

Automotive Power



Never stop thinking

Table of Contents

| | | |
|----------|---|----|
| | Table of Contents | 2 |
| 1 | Overview | 3 |
| 2 | Pin Configuration | 4 |
| 2.1 | Pin Assignment | 4 |
| 2.2 | Terms | 6 |
| 3 | Block Diagram | 7 |
| 4 | Circuit Description | 8 |
| 4.1 | Input Circuit | 8 |
| 4.2 | Output Stages | 8 |
| 4.3 | Short Circuit Protection | 8 |
| 4.4 | Overtemperature Protection | 8 |
| 4.5 | Undervoltage Lockout | 8 |
| 4.6 | Open Load Detection | 8 |
| 4.7 | Status Flag | 9 |
| 5 | Electrical Characteristics | 10 |
| 5.1 | Absolute Maximum Ratings | 10 |
| 5.2 | Functional Range | 11 |
| 5.3 | Thermal Resistance | 11 |
| 5.4 | Electrical Characteristics | 12 |
| 6 | Application Information | 15 |
| 7 | Package Outlines | 16 |
| 8 | Revision History | 17 |



1 Overview

Features

- Quad D-MOS switch driver
- Free configurable as bridge or quad-switch
- Optimized for DC motor management applications
- Low $R_{DS\ ON}$
High side: 70 m Ω typ. @ 25°C, 180 m Ω max. @ 150°C
Low side: 45 m Ω typ. @ 25°C, 105 m Ω max. @ 150°C
- Maximum peak current: typ. 14 A @ 25 °C
- Very low quiescent current: typ. 5 μ A @ 25 °C
- Small outline, enhanced power PG-DSO-package
- Operates up to 40 V
- PWM frequencies up to 1 kHz
- Status flag diagnosis
- Short-circuit-protection
- Overtemperature shut down with hysteresis
- Internal clamp diodes
- Open load detection in Off-mode
- Under-voltage detection with hysteresis
- Green Product (RoHS compliant)
- AEC Qualified



PG-DSO-28-22

Description

The **BTM7751G** is part of the **TrilithIC** family containing three dies in one package: One double high-side switch and two low-side switches. The drains of these three vertical DMOS chips are mounted on separated lead frames. The sources are connected to individual pins, so the **BTM7751G** can be used in H-bridge- as well as in any other configuration. Both the double high-side and the two low-side switches of the **BTM7751G** are manufactured in SMART SIPMOS® technology which combines low $R_{DS\ ON}$ vertical DMOS power stages with CMOS circuitry for control, protection and diagnosis.

| Type | Package | Marking |
|----------|--------------|----------|
| BTM7751G | PG-DSO-28-22 | BTM7751G |

2 Pin Configuration

2.1 Pin Assignment

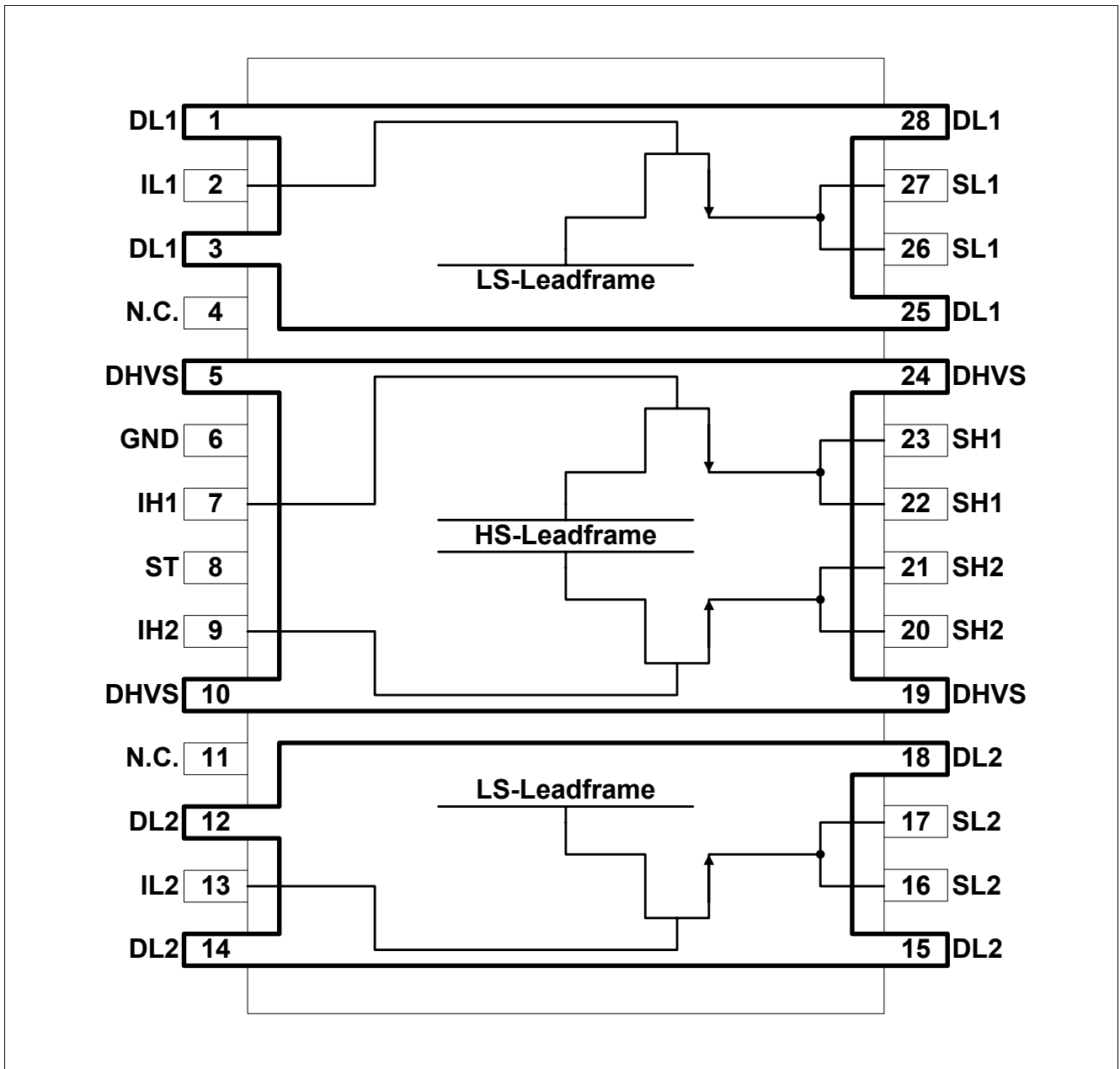


Figure 1 Pin Assignment BTM7751G (Top View)

Table 1 Pin Definitions and Functions

| Pin No. | Symbol | Function |
|-----------------------|-------------|---|
| 1, 3, 25, 28 | DL1 | Drain of low-side switch1, lead frame 1 ¹⁾ |
| 2 | IL1 | Analog input of low-side switch1 |
| 4 | N.C. | not connected |
| 5, 10, 19, 24 | DHVS | Drain of high-side switches and power supply voltage, lead frame 2 ¹⁾ |
| 6 | GND | Ground |
| 7 | IH1 | Digital input of high-side switch1 |
| 8 | ST | Status of high-side switches; open Drain output |
| 9 | IH2 | Digital input of high-side switch2 |
| 11 | N.C. | not connected |
| 12, 14, 15, 18 | DL2 | Drain of low-side switch2, lead frame 3 ¹⁾ |
| 13 | IL2 | Analog input of low-side switch2 |
| 16,17 | SL2 | Source of low-side switch2 |
| 20,21 | SH2 | Source of high-side switch2 |
| 22,23 | SH1 | Source of high-side switch1 |
| 26,27 | SL1 | Source of low-side switch1 |

1) To reduce the thermal resistance these pins are direct connected via metal bridges to the lead frame.

Pins written in **bold type** need power wiring.

2.2 Terms

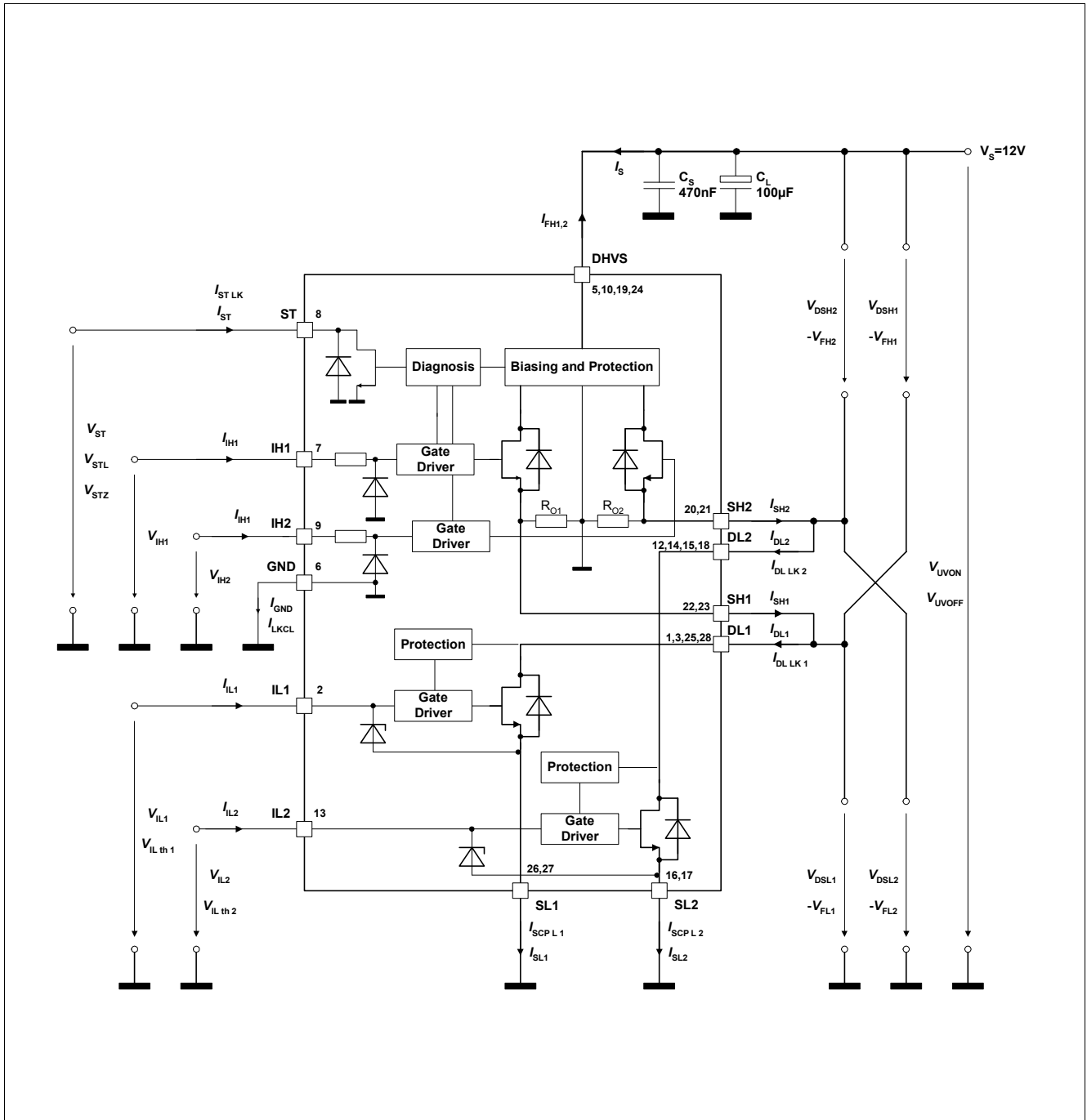


Figure 2 Terms BTM7751G

Table 2

| HS-Source-Current | Named during Short Circuit | Named during Leakage-Cond. |
|-------------------|----------------------------|----------------------------|
| $I_{SH1,2}$ | $I_{SCP L}$ | $I_{DL LK}$ |

3 Block Diagram

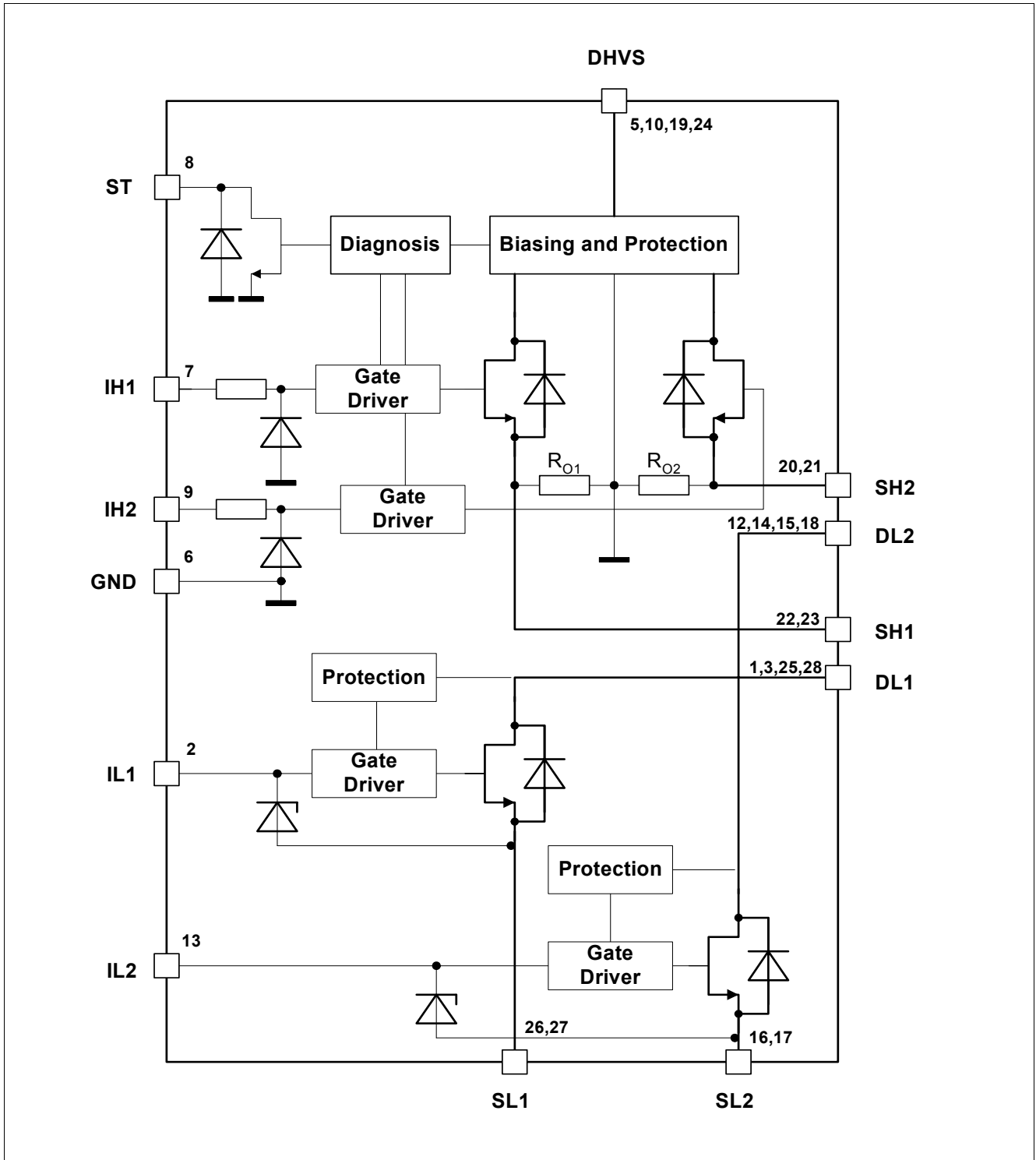


Figure 3 Block Diagram BTM7751G

4 Circuit Description

4.1 Input Circuit

The control inputs IH1,2 consist of TTL/CMOS compatible Schmitt-Triggers with hysteresis. Buffer amplifiers are driven by these stages and convert the logic signal into the necessary form for driving the power output stages. The inputs are protected by ESD clamp-diodes. The inputs IL1 and IL2 are connected to the internal gate-driving units of the N-channel vertical power-MOS-FETs.

4.2 Output Stages

The output stages consist of an low $R_{\text{DS(ON)}}$ Power-MOS H-bridge. In H-bridge configuration, the D-MOS body diodes can be used for freewheeling when communicating inductive loads. If the high-side switches are used as single switches, positive and negative voltage spikes which occur when driving inductive loads are limited by integrated power clamp diodes.

4.3 Short Circuit Protection

The outputs are protected against

- output short circuit to ground
- output short circuit to the supply voltage, and
- overload (load short circuit).

An internal OP-Amp controls the Drain-Source-Voltage by comparing the DS-Voltage-Drop with an internal reference voltage. Above this trip point the OP-Amp reduces the output current depending on the junction temperature and the drop voltage.

4.4 Overtemperature Protection

The high-side and the low-side switches also incorporate an over temperature protection circuit with hysteresis which switches off the output transistors. In the case of the high-side switches, the status output is set to low.

4.5 Undervoltage Lockout

When V_{S} reaches the switch-on voltage V_{UVON} the IC becomes active with a hysteresis. The High-Side output transistors are switched off if the supply voltage V_{S} drops below the switch off value V_{UVOFF} .

4.6 Open Load Detection

The open load detection of the BTM7751G works in OFF condition and is based on a voltage measurement at the source of the high side switch. In order to use the open load detection SH2 has to be connected to Vcc via a pull up resistor. Because this pull up resistor would connect the bridge output to the μC supply it needs to be disconnected whenever the high side switch is on. This can be done by a transistor as shown in the application example ([Figure 4 “Application Example BTM7751G” on Page 15](#)). To check for open load:

- Set IH1 = IH2 = LOW (both high side switches off)
- Set IL2 = LOW, IL1 = HIGH (only low side switch 1 is on)
- Connect Rol (open load pull up) to 5V via transistor

If the load is connected properly it will pull down the voltage at SH2 to a value close to 0V.

If the load is disconnected the resistor will pull the voltage at SH2 to value close to Vcc.

If the voltage at SH2 is higher than the open load detection voltage $V_{\text{OUT(OL)}}$ then ST will be pulled down.

4.7 Status Flag

The status flag output is an open drain output with zener-diode which requires a pull-up resistor, as shown in the application circuit in [Figure 4 “Application Example BTM7751G” on Page 15](#). Various errors as listed in the table “Diagnosis” are reported by switching the open drain output ST to low.

Table 3 Truth table and Diagnosis (valid only for the High-Side-Switches)

| Flag | IH1 | IH2 | SH1 | SH2 | ST | Remarks |
|--|--------|-----|---------|-----|----|----------------------|
| | Inputs | | Outputs | | | |
| Normal operation; identical with functional truth table | 0 | 0 | L | L | 1 | stand-by mode |
| | 0 | 1 | L | H | 1 | switch2 active |
| | 1 | 0 | H | L | 1 | switch1 active |
| | 1 | 1 | H | H | 1 | both switches active |
| Open load at high-side switch 1 | 0 | X | Z | X | 0 | detected |
| | 1 | X | H | X | 1 | |
| Open load at high-side switch 2 | X | 0 | X | Z | 0 | detected |
| | X | 1 | X | H | 1 | |
| Overtemperature high-side switch1 | 0 | X | L | X | 1 | detected |
| | 1 | X | L | X | 0 | |
| Overtemperature high-side switch2 | X | 0 | X | L | 1 | detected |
| | X | 1 | X | L | 0 | |
| Overtemperature both high-side switches | 0 | 0 | L | L | 1 | detected |
| | X | 1 | L | L | 0 | |
| | 1 | X | L | L | 0 | |
| Under voltage | X | X | L | L | 1 | not detected |

Inputs:

0 = Logic LOW
 1 = Logic HIGH
 X = don't care

Outputs:

Z = Output in tristate condition
 L = Output in sink condition
 H = Output in source condition
 X = Voltage level undefined

Status:

1 = No error
 0 = Error

5 Electrical Characteristics

5.1 Absolute Maximum Ratings

Absolute Maximum Ratings¹⁾

– 40 °C < T_j < 150 °C

| Pos. | Parameter | Symbol | Limit Values | | Unit | Remarks |
|--|--|----------------|--------------|---------------|------|--|
| | | | min. | max. | | |
| High-Side-Switches (Pins DHVS, IH1,2 and SH1,2) | | | | | | |
| 5.1.1 | Supply voltage | V_S | – 0.3 | 42 | V | – |
| 5.1.2 | Supply voltage for full short circuit protection | $V_{S(SCP)}$ | – | 28 | V | |
| 5.1.3 | HS-drain current ²⁾ | I_S | – 7 | ³⁾ | A | $T_A = 25^\circ\text{C}; t_P < 100 \text{ ms}$ |
| 5.1.4 | HS-input current | I_{IH} | – 5 | 5 | mA | Pin IH1 and IH2 |
| 5.1.5 | HS-input voltage | V_{IH} | – 10 | 16 | V | Pin IH1 and IH2 |
| Status Output ST | | | | | | |
| 5.1.6 | Status pull up voltage | V_{ST} | – 0.3 | 5.4 | V | |
| 5.1.7 | Status Output current | I_{ST} | – 5 | 5 | mA | Pin ST |
| 5.1.8 | Low-Side-Switches (Pins DL1,2, IL1,2 and SL1,2) | | | | | |
| 5.1.9 | Drain-Source-Clamp voltage | V_{DSL} | 42 | – | V | $V_{IL} = 0 \text{ V}; I_D \leq 1 \text{ mA}$ |
| 5.1.10 | Supply voltage for short circuit protection | $V_{DSL(SCP)}$ | – | 30 | V | $V_{IL} = 5 \text{ V}$ |
| 5.1.11 | | | – | 20 | V | $V_{IL} = 10 \text{ V}$ |
| 5.1.12 | LS-drain current ²⁾ | I_{DL} | – 7 | ³⁾ | A | $T_A = 25^\circ\text{C}; t_P < 100 \text{ ms}$ |
| 5.1.13 | LS-input voltage | V_{IL} | – 0.3 | 10 | V | – |
| Temperatures | | | | | | |
| 5.1.14 | Junction temperature | T_j | – 40 | 150 | °C | – |
| 5.1.15 | Storage temperature | T_{stg} | – 55 | 150 | °C | – |
| ESD Protection⁴⁾ | | | | | | |
| 5.1.16 | Input LS-Switch | V_{ESD} | – | 2 | kV | |
| 5.1.17 | Input HS-Switch | V_{ESD} | – | 1 | kV | |
| 5.1.18 | Status HS-Switch | V_{ESD} | – | 2 | kV | |
| 5.1.19 | Output LS and HS-Switch | V_{ESD} | – | 8 | kV | all other pins connected to Ground |

1) Not subject to production test; specified by design

2) Single pulse

3) Internally limited

4) ESD susceptibility HBM according to EIA/JESD22-A114-B (1.5kΩ, 100pF)

Note: Stresses above the ones listed here may cause permanent damage to the device. Exposure to absolute maximum rating conditions for extended periods may affect device reliability.

Note: Integrated protection functions are designed to prevent IC destruction under fault conditions described in the data sheet. Fault conditions are considered as "outside" normal operating range. Protection functions are not designed for continuous repetitive operation.

5.2 Functional Range

| Pos. | Parameter | Symbol | Limit Values | | Unit | Remarks |
|--------|-----------------------|----------|--------------|------|------|-------------------------------------|
| | | | min. | max. | | |
| 5.2.20 | Supply voltage | V_S | V_{UVOFF} | 42 | V | After V_S rising above V_{UVON} |
| 5.2.21 | Input voltage HS | V_{IH} | - 0.3 | 15 | V | - |
| 5.2.22 | Input voltage LS | V_{IL} | - 0.3 | 10 | V | - |
| 5.2.23 | Status output current | I_{ST} | 0 | 2 | mA | - |
| 5.2.24 | Junction temperature | T_j | - 40 | 150 | °C | - |

Note: Within the functional range the IC operates as described in the circuit description. The electrical characteristics are specified within the conditions given in the related electrical characteristics table

5.3 Thermal Resistance

| Pos. | Parameter | Symbol | Limit Values | | | Unit | Conditions |
|--------|---|-------------|--------------|------|------|------|-------------------------|
| | | | Min. | Typ. | Max. | | |
| 5.3.25 | LS-junction to soldering point ¹⁾ | R_{thJSP} | - | - | 20 | K/W | measured to pin 3 or 12 |
| 5.3.26 | HS-junction to soldering point ¹⁾ | R_{thJSP} | - | - | 20 | K/W | measured to pin 19 |
| 5.3.27 | Junction to Ambient ¹⁾ $R_{thJA} = T_{j(HS)} / (P_{(HS)} + P_{(LS)})$ | R_{thJA} | - | 36 | - | K/W | ²⁾ |

1) Not subject to production test, specified by design.

2) Specified R_{thJA} value is according to Jedec JESD51-2,-5,-7 at natural convection on FR4 2s2p board; The Product (chip+package) was simulated on a 76.2 x 114.3 x 1.5 mm board with 2 inner copper layers (2 x 70µm Cu, 2 x 35µm Cu).

5.4 Electrical Characteristics

$I_{SH1} = I_{SH2} = I_{SL1} = I_{SL2} = 0 \text{ A}$; $-40 \text{ °C} < T_j < 150 \text{ °C}$; $8 \text{ V} < V_S < 18 \text{ V}$

unless otherwise specified

| Pos. | Parameter | Symbol | Limit Values | | | Unit | Test Condition |
|--|---|------------------------------|--------------|------|------|------------------|---|
| | | | min. | typ. | max. | | |
| Current Consumption HS-switch | | | | | | | |
| 5.4.28 | Quiescent current | I_S | – | 5 | 9 | μA | $I_{H1} = I_{H2} = 0 \text{ V}$ $T_j = 25 \text{ °C}$ |
| | | | – | – | 13 | μA | $I_{H1} = I_{H2} = 0 \text{ V}$ |
| 5.4.29 | Supply current; one HS-switch active | I_S | – | 2.1 | 4.3 | mA | I_{H1} or $I_{H2} = 5 \text{ V}$ $V_S = 12 \text{ V}$ |
| 5.4.30 | Supply current; both HS-switches active | I_S | – | 4.3 | 8.6 | mA | I_{H1} and $I_{H2} = 5 \text{ V}$ $V_S = 12 \text{ V}$ |
| 5.4.31 | Leakage current of high-side switch | I_{SHLK} | – | – | 6 | μA | $V_{IH} = V_{SH} = 0 \text{ V}$ $V_S = 12 \text{ V}$ |
| 5.4.32 | Leakage current through logic GND in free wheeling condition | $I_{LKCL} = I_{FH} + I_{SH}$ | – | – | 10 | mA | $I_{FH} = 3 \text{ A}$ $V_S = 12 \text{ V}$ |
| Current Consumption LS-switch | | | | | | | |
| 5.4.33 | Input current | I_{IL} | – | 8 | 30 | μA | $V_{IL} = 5 \text{ V}$; normal operation |
| | | | – | 160 | 300 | μA | $V_{IL} = 5 \text{ V}$; failure mode |
| 5.4.34 | Leakage current of low-side switch | I_{DLLK} | – | 2 | 10 | μA | $V_{IL} = 0 \text{ V}$ $V_{DSL} = 18 \text{ V}$ |
| Under Voltage Lockout HS-switch | | | | | | | |
| 5.4.35 | Switch-ON voltage | V_{UVON} | – | – | 4.8 | V | V_S increasing |
| 5.4.36 | Switch-OFF voltage | V_{UVOFF} | 1.8 | – | 3.5 | V | V_S decreasing |
| 5.4.37 | Switch ON/OFF hysteresis | V_{UVHY} | – | 1 | – | V | $V_{UVON} - V_{UVOFF}$ |
| Output stages | | | | | | | |
| 5.4.38 | Inverse diode of high-side switch; Forward-voltage | V_{FH} | – | 0.8 | 1.2 | V | $I_{FH} = 3 \text{ A}$ |
| 5.4.39 | Inverse diode of low-side switch; Forward-voltage | V_{FL} | – | 0.8 | 1.2 | V | $I_{FL} = 3 \text{ A}$ |
| 5.4.40 | Static drain-source on-resistance of high-side switch | $R_{DS\text{ON}H}$ | – | 70 | – | $\text{m}\Omega$ | $I_{SH} = 1 \text{ A}$; $V_S = 12 \text{ V}$ $T_j = 25 \text{ °C}$ |
| | | | – | 125 | 180 | $\text{m}\Omega$ | $I_{SH} = 1 \text{ A}$; $V_S = 12 \text{ V}$ $T_j = 150 \text{ °C}$ |
| 5.4.41 | Static drain-source on-resistance of low-side switch | $R_{DS\text{ON}L}$ | – | 45 | – | $\text{m}\Omega$ | $I_{SL} = 1 \text{ A}$; $V_{IL} = 5 \text{ V}$ $T_j = 25 \text{ °C}$ |
| | | | – | 75 | 105 | $\text{m}\Omega$ | $I_{SL} = 1 \text{ A}$; $V_{IL} = 5 \text{ V}$ $T_j = 150 \text{ °C}$ |

$I_{SH1} = I_{SH2} = I_{SL1} = I_{SL2} = 0 \text{ A}; -40 \text{ °C} < T_j < 150 \text{ °C}; 8 \text{ V} < V_s < 18 \text{ V}$

unless otherwise specified

| Pos. | Parameter | Symbol | Limit Values | | | Unit | Test Condition |
|--|---|---------------|--------------|------|------|---------------|--------------------------------|
| | | | min. | typ. | max. | | |
| Short Circuit of high-side switch to GND | | | | | | | |
| 5.4.42 | Initial peak SC current $t_{del} = 100 \mu\text{s}; V_s = 12 \text{ V}; V_{DSH} = 12 \text{ V}$ | I_{SCPH} | 15 | 19 | 23 | A | $T_j = -40 \text{ °C}$ |
| | | | – | 14 | – | A | $T_j = +25 \text{ °C}$ |
| | | | 8 | 10 | 13 | A | $T_j = +150 \text{ °C}$ |
| Short Circuit of high-side switch to V_s | | | | | | | |
| 5.4.43 | Output pull-down-resistor | R_O | 8 | 15 | 35 | k Ω | $V_{DSL} = 3 \text{ V}$ |
| Short Circuit of low-side switch to V_s | | | | | | | |
| 5.4.44 | Initial peak SC current $V_{DSL} = 12 \text{ V}; V_{IL} = 5 \text{ V};$ $t_{del} = 250 \mu\text{s}$ | I_{SCPL} | 23 | 28 | 34 | A | $T_j = -40 \text{ °C}$ |
| | | | – | 22 | – | A | $T_j = 25 \text{ °C}$ |
| | | | 11.5 | 14 | 18 | A | $T_j = 150 \text{ °C}$ |
| Thermal Shutdown¹⁾ | | | | | | | |
| 5.4.45 | Thermal shutdown junction temperature | T_{jSD} | 155 | 180 | 190 | °C | – |
| 5.4.46 | Thermal switch-on junction temperature | T_{jSO} | 150 | 170 | 180 | °C | – |
| 5.4.47 | Temperature hysteresis | ΔT | – | 10 | – | °C | $\Delta T = T_{jSD} - T_{jSO}$ |
| Status Flag Output ST of high-side switch | | | | | | | |
| 5.4.48 | Low output voltage | V_{STL} | – | 0.2 | 0.6 | V | $I_{ST} = 1.6 \text{ mA}$ |
| 5.4.49 | Leakage current | I_{STLK} | – | – | 10 | μA | $V_{ST} = 5 \text{ V}$ |
| 5.4.50 | Zener-limit-voltage | V_{STZ} | 5.4 | – | – | V | $I_{ST} = 1.6 \text{ mA}$ |
| Open load detection in Off condition | | | | | | | |
| 5.4.51 | Open load detection voltage | $V_{OUT(OL)}$ | 1.8 | 2.8 | 4 | V | |
| 5.4.52 | Status change after neg. input slope with OL | $t_{d(OL)}$ | – | – | 500 | μs | $V_s = 12 \text{ V}$ |

$I_{SH1} = I_{SH2} = I_{SL1} = I_{SL2} = 0 \text{ A}$; $-40 \text{ }^\circ\text{C} < T_j < 150 \text{ }^\circ\text{C}$; $8 \text{ V} < V_s < 18 \text{ V}$

unless otherwise specified

| Pos. | Parameter | Symbol | Limit Values | | | Unit | Test Condition |
|---|----------------------------------|-----------------------|--------------|------|------|------------------------|---|
| | | | min. | typ. | max. | | |
| Switching times of high-side switch¹⁾ | | | | | | | |
| 5.4.53 | Turn-ON-time to 90% V_{SH} | t_{ON} | – | 85 | 180 | μs | $R_{Load} = 12 \Omega$ $V_s = 12 \text{ V}$ |
| 5.4.54 | Turn-OFF-time to 10% V_{SH} | t_{OFF} | – | 80 | 180 | μs | |
| 5.4.55 | Slew rate on 10 to 30% V_{SH} | dV/d_{tON} | – | – | 1.2 | $\text{V}/\mu\text{s}$ | |
| 5.4.56 | Slew rate off 70 to 40% V_{SH} | $-dV/d_{tOFF}$ | – | – | 1.6 | $\text{V}/\mu\text{s}$ | |
| Switching times of low-side switch¹⁾ | | | | | | | |
| 5.4.57 | Turn-ON-time to 10% V_{DL} | t_{ON} | – | 60 | 150 | μs | $R_{Load} = 10 \Omega$ $V_s = 12 \text{ V}$ $V_{IL} = 0 \text{ to } 5 \text{ V}$ |
| 5.4.58 | Turn-OFF-time to 90% V_{DL} | t_{OFF} | – | 60 | 150 | μs | |
| 5.4.59 | Slew rate on 70 to 50% V_{DL} | $-dV/d_{tON}$ | – | 1 | 1.5 | $\text{V}/\mu\text{s}$ | $R_{Load} = 4.7 \Omega$ $V_s = 12 \text{ V}$ $V_{IL} = 0 \text{ to } 5 \text{ V}$ |
| 5.4.60 | Slew rate off 50 to 70% V_{DL} | dV/d_{tOFF} | – | 1 | 1.5 | $\text{V}/\mu\text{s}$ | |
| Control Inputs of high-side switches IH 1, 2 | | | | | | | |
| 5.4.61 | H-input voltage | $V_{IH \text{ High}}$ | – | – | 2.5 | V | – |
| 5.4.62 | L-input voltage | $V_{IH \text{ Low}}$ | 1 | – | – | V | – |
| 5.4.63 | Input voltage hysteresis | $V_{IH \text{ HY}}$ | – | 0.3 | – | V | – |
| 5.4.64 | H-input current | $I_{IH \text{ High}}$ | 15 | 30 | 60 | μA | $V_{IH} = 5 \text{ V}$ |
| 5.4.65 | L-input current | $I_{IH \text{ Low}}$ | 5 | – | 20 | μA | $V_{IH} = 0.4 \text{ V}$ |
| 5.4.66 | Input series resistance | R_I | 2.7 | 4 | 5.5 | $\text{k}\Omega$ | – |
| 5.4.67 | Zener limit voltage | $V_{IH \text{ Z}}$ | 5.4 | – | – | V | $I_{IH} = 1.6 \text{ mA}$ |
| Control Inputs IL1, 2 | | | | | | | |
| 5.4.68 | Gate-threshold-voltage | $V_{IL \text{ th}}$ | 0.9 | 1.7 | 2.2 | V | $I_{DL} = 2 \text{ mA}$ |

1) Not subject to production test; specified by design

Note: The listed characteristics are ensured over the operating range of the integrated circuit. Typical characteristics specified mean values expected over the production spread. If not otherwise specified, typical characteristics apply at $T_A = 25 \text{ }^\circ\text{C}$ and the given supply voltage.

6 Application Information

Note: The following simplified application examples are given as a hint for the implementation of the device only and shall not be regarded as a description or warranty of a certain functionality, condition or quality of the device. The function of the described circuits must be verified in the real application

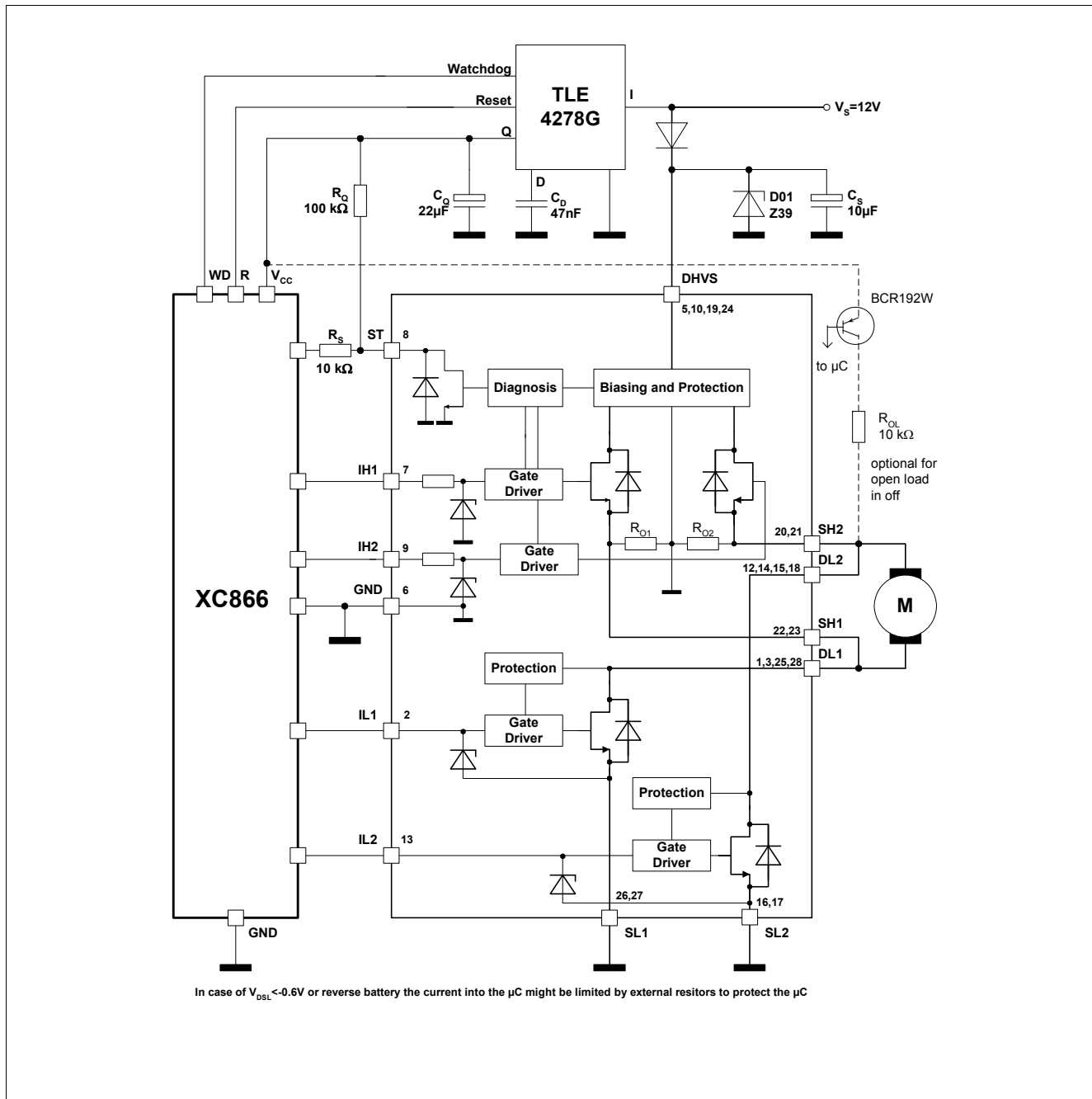


Figure 4 Application Example BTM7751G

7 Package Outlines

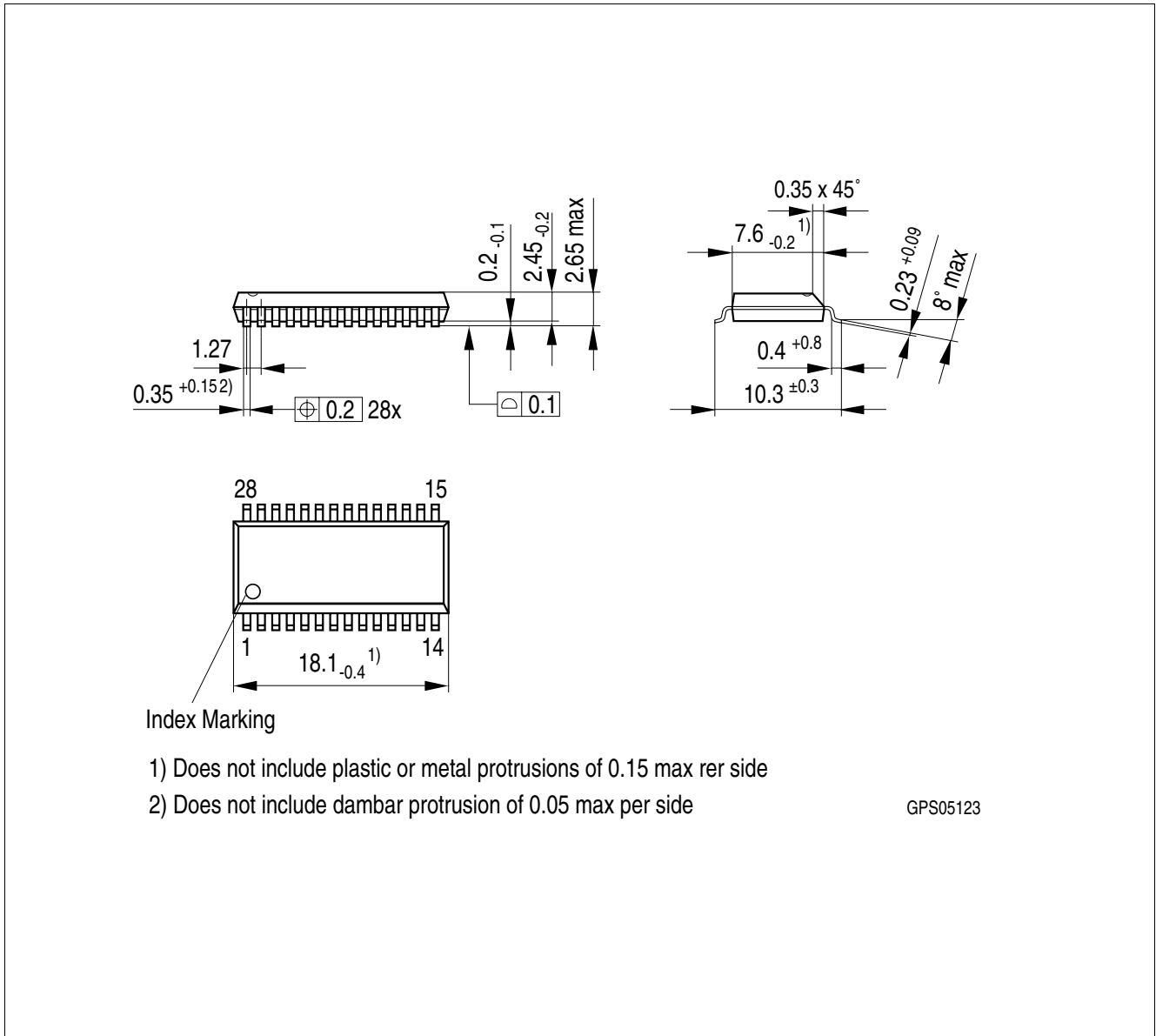


Figure 5 PG-DSO-28-22 (Plastic Transistor Single Outline Package)

Green Product (RoHS compliant)

To meet the world-wide customer requirements for environmentally friendly products and to be compliant with government regulations the device is available as a green product. Green products are RoHS-Compliant (i.e. Pb-free finish on leads and suitable for Pb-free soldering according to IPC/JEDEC J-STD-020).

For further information on alternative packages, please visit our website:
<http://www.infineon.com/packages>.

Dimensions in mm

8 Revision History

| Rev. | Date | Changes |
|------|------------|-----------------|
| 1.0 | 2008-06-27 | Initial Version |
| | | |
| | | |
| | | |
| | | |
| | | |
| | | |
| | | |
| | | |
| | | |
| | | |
| | | |
| | | |
| | | |
| | | |
| | | |
| | | |
| | | |
| | | |