



BTM98-8AA

DATA SHEET

22 June 2012

Version 1.0

SHENZHEN TTK TECHNOLOGY CO., LTD.

Copyright © TTK Technologies. all rights reserved.

Shenzhen TTK Technology CO.,LTD

TEL: 0755-89484041 FAX: 0755-89484040

TABLE OF CONTENTS

1.0 Block Diagram..... 5

2.0 Electrical Characteristics 6

3.0 Device Terminal Functions..... 8

4.0 Example Application Schematic..... 12

5.0 Package Dimensions..... 12

6.0 Layout Guidelines..... 14

7.0 Contact Information..... 15

DESCRIPTION:

BTM98-8AA is the latest generation of bluetooth Module. It provides highest level of integration

With integrated 2.4GHz radio, DSP, battery Charger, stereo codec, and antenna ready.

Mono and stereo audio applications.

BTM98-8AA is also ready to support the latest

Bluetooth 4.0 standard and support for secure

Simple pairing.

FEATURES:

- Plug n' Play Bluetooth Solution for mono and Stereo Audio Solutions
- Integrated DSP, Stereo Codec , and Battery Charger
- Integrated Antenna
- Bluetooth 4.0 Compliant
- Class II Range up to 10 Meters
- Temperature range from -30C to +85C
- Low Power Consumption
- Supported Bluetooth Profiles: A2DP, AVRCP, HFP, HSP
- Supported 5-band EQ
- High-quality Audio 95dB SNR on DAC Playback

APPLICATIONS:

- High quality wireless stereo headsets
- Wireless mono headsets
- Wireless speakers
- Hands-free car kits

REVISION HISTORY

Version	Comment	Custom	Date
1.0	Preliminary Datasheet	zuoguoqiang	06/2012

1.0 Block Diagram

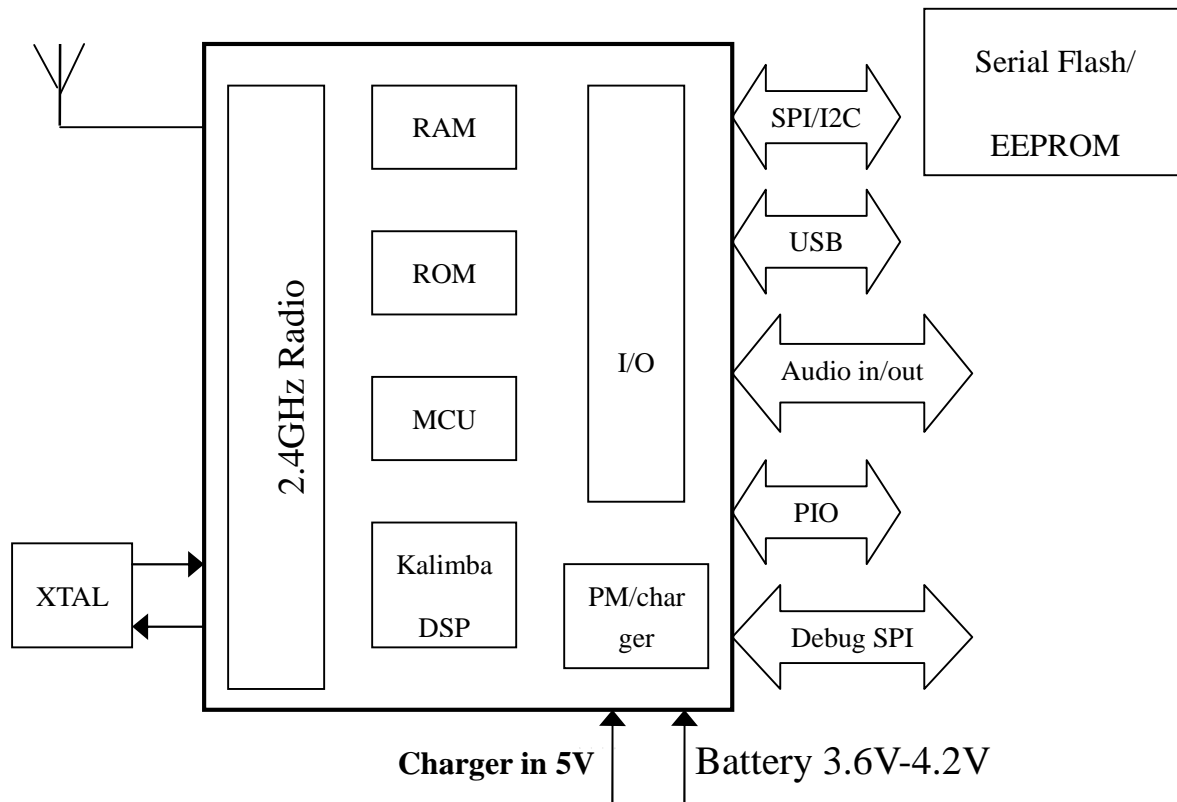


Figure 1: Block diagram of BTM98-8AA

2.0 Electrical Characteristics

Recommended operating conditions

	Min	Typ	Max	Unit
Operating temperature	-20	20	70	°C
VDD_BAT	3.0	3.8	4.2	V
VDD_CHG	4.5	5	6.5	V
VDD_IO	1.7	1.8	1.95	V

Table 1:Recommended operating conditions

Battery charger

Charger Mode(BAT_P rising to 4.2V)		Min	Typ	Max	Unit
Supply current(a)		--	4.5	6	mA
Battery trickle charge current(b)		--	4	--	mA
Maximum battery fast charge current (I-CTRL = 15)(c) (d)	Headroom(e) > 0.7V	--	200	--	mA
	Headroom = 0.3V	--	150	--	mA
Minimum battery fast charge current (I-CTRL = 0)(c) (d)	Headroom > 0.7V	--	40	--	mA
	Headroom = 0.3V	--	35	--	mA

Trickle charge voltage threshold	--	2.9	--	V
Float voltage (with correct trim value set), VFLOAT (f)	4.10	4.15	4.2	V
Float voltage trim step size(f)	--	50	--	mV
Battery charge termination current, % of fast charge current	5	10	20	%

(a) Current into VDD_CHG does not include current delivered to battery (IVDD_CHG - IBAT_P)

(b) BAT_P < trickle charge voltage threshold

(c) Charge current can be set in 16 equally spaced steps

(d) Trickle charge threshold < BAT_P < Float voltage

(e) Where headroom = VDD_CHG - BAT_P

(f) Float voltage can be adjusted in 15 steps. Trim setting is determined in production test and must be loaded into the battery charger by firmware during boot-up sequence

Table 2: Battery charger characteristics

Reset

	Min	Typ	Max	Unit
$V_{TH,res}$ threshold voltage	0.65	0.85	1.50	V
R_{IRES} input resistance	--	220	--	K Ω
C_{IRES} input capacitance	--	220	--	nF

Table 3: Reset terminal characteristics

Shenzhen TTK Technology CO.,LTD
 TEL: 0755-89484041 FAX: 0755-89484040

The RESET pin is an active low reset and is internally filtered using the internal low frequency clock oscillator. A reset will be performed between 1.5 and 4.0ms following RESET being active. It is recommended that RESET be applied for a period greater than 5ms. BTM98-8AA has an internal reset circuitry, when BTM98-8AA input 5V charging voltage, Module reset once.

The capacitor discharges through 220 k resistor, which eventually deactivates the reset. Time constant of the RC circuitry is set in a way that the supply voltage is safely stabilized before the reset deactivates.

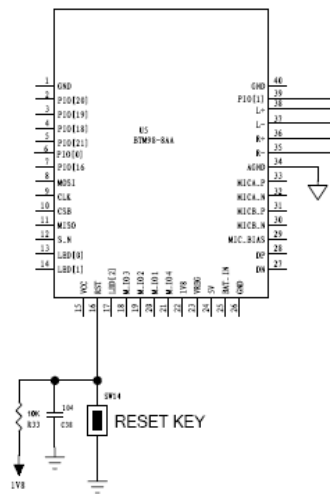


Figure 2: BTM98-8AA reset circuitry

MUTE

BTM98-8AA can output a high level to control the amplifier mute. When bluetooth normal working, Module output high level to control the amplifier open. Standby, Module output low level to control the amplifier off.

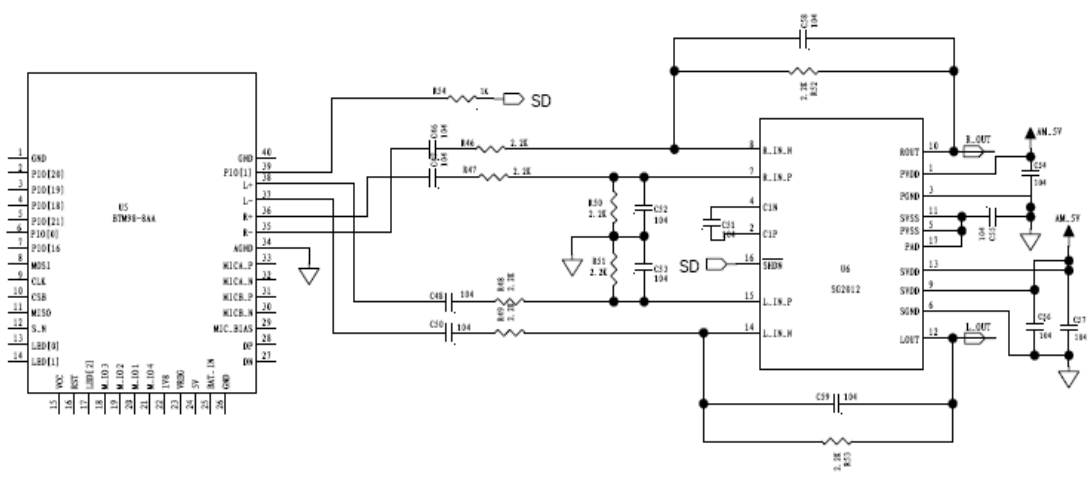
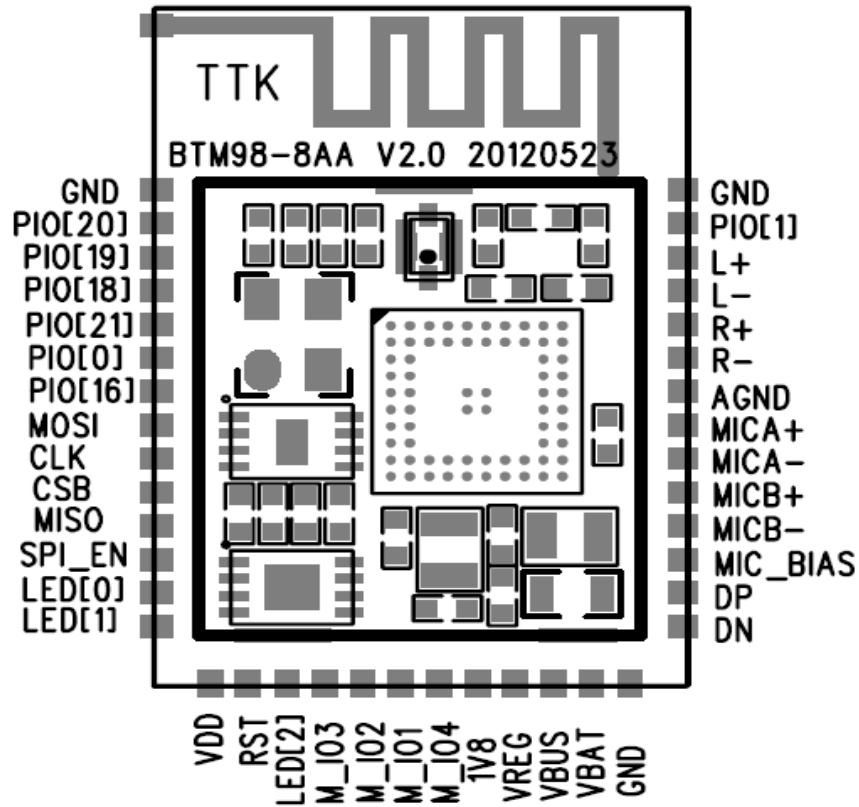


Figure 3: BTM98-8AA Mute control circuitry

.3.Device Terminal Functions:

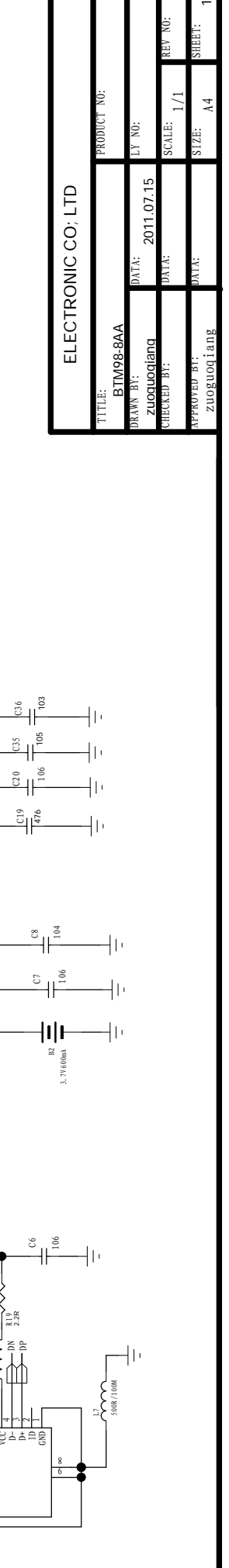
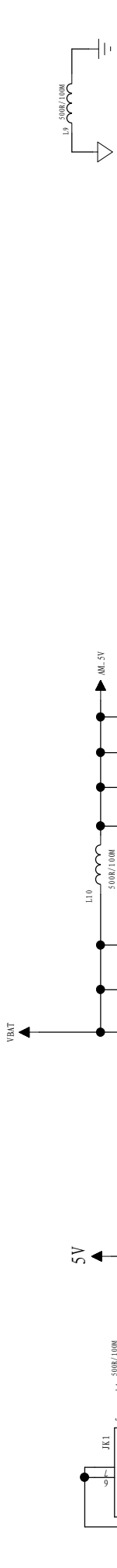
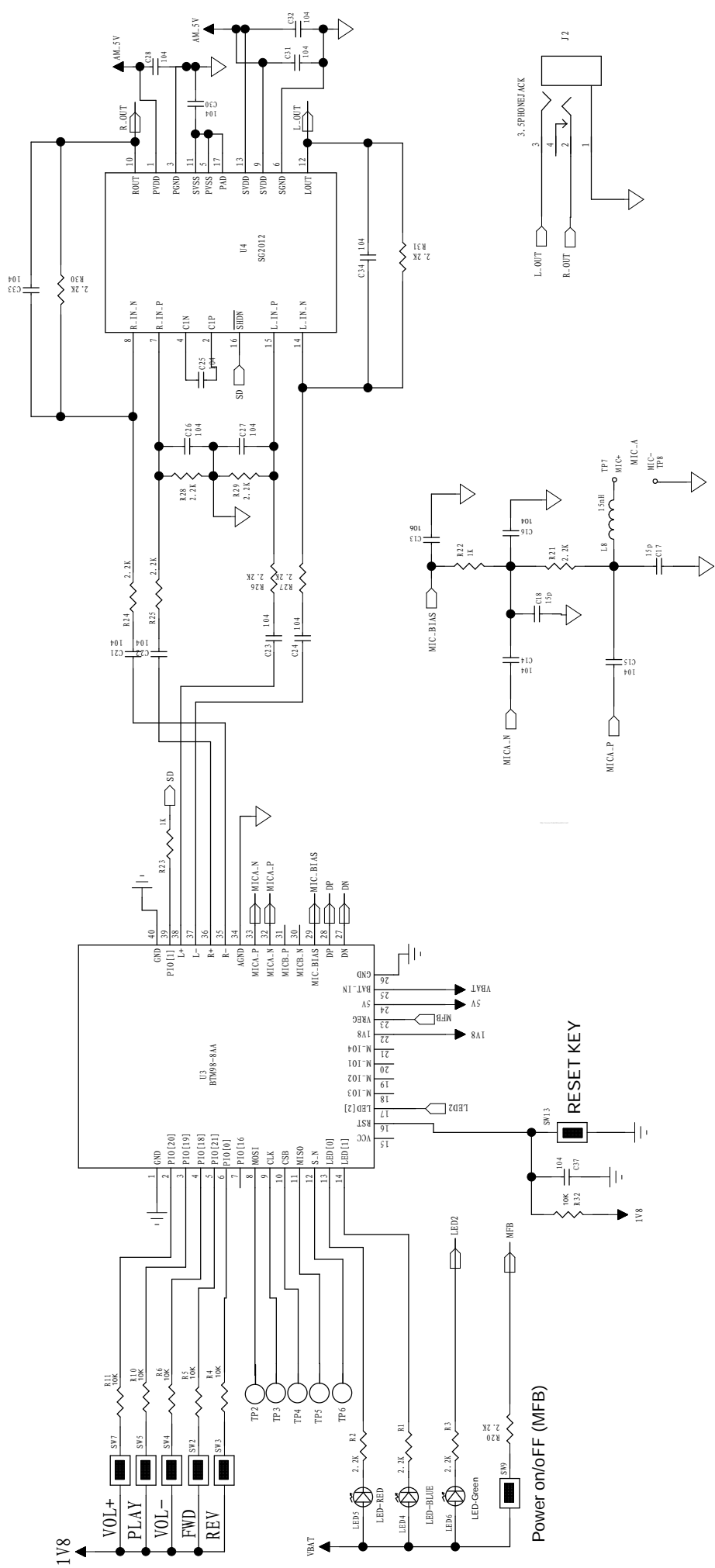


Lead	name	Function	Description
1	GND	GND	Ground
2	PIO[20]	PIO port	Programmable input/output line
3	PIO[19]	PIO port	Programmable input/output line
4	PIO[18]	PIO port	Programmable input/output line
5	PIO[21]	PIO port	Programmable input/output line
6	PIO[0]	PIO port	Programmable input/output line
7	PIO[16]	PIO port	Programmable input/output line
8	MOSI	SPI interface	SPI data input
9	CLK	SPI interface	SPI Clock
10	CSB	SPI interface	Chip select for SPI
11	MISO	SPI interface	SPI data output
12	SPI_N	NC	NC

Shenzhen TTK Technology CO.,LTD
 TEL: 0755-89484041 FAX: 0755-89484040

13	LED[0]	Status	LED driver
14	LED[1]	Status	LED driver
15	VDD	VDD	NC
16	RST	Reset	Logic low reset
17	LED[2]	Status	LED driver
18	M_IO[3]	M_IO[3]	IO
19	M_IO[2]	M_IO[2]	IO
20	M_IO[1]	M_IO[1]	IO
21	M_IO[4]	M_IO[4]	IO
22	1V8	1.8V POWER	Positive supply for 1.8V regulated output
23	VREG	POWER ON/OFF	Module power on/off active high
24	5V	5V-charger	Lithium ion/polymer battery charger input
25	VBAT	Power Input	Lithium ion/polymer battery positive
26	GND	GND	Ground
27	DN	DN	USB Data negative
28	DP	DP	USB Data positive
29	MIC_BIAS	MIC power	Microphone bias
30	MICB_N	MICB_N	MIC input, channel B negative
31	MICB_P	MICB_P	MIC input, channel B positive
32	MICA_N	MICA_N	MIC input, channel A negative
33	MICA_P	MICA_P	MIC input, channel A positive
34	AGND	AGND	Analogue ground
35	R-	R-	Speaker output, channel R negative
36	R+	R+	Speaker output, channel R positive
37	L-	L-	Speaker output, channel L negative
38	L+	L+	Speaker output, channel L positive
39	PIO[1]	MUTE	Amplifier mute PIN
40	GND	GND	Ground

4.0 Example Application Schematic

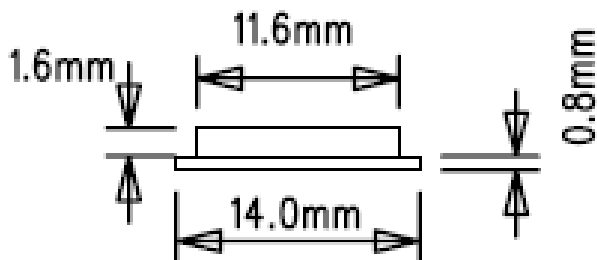
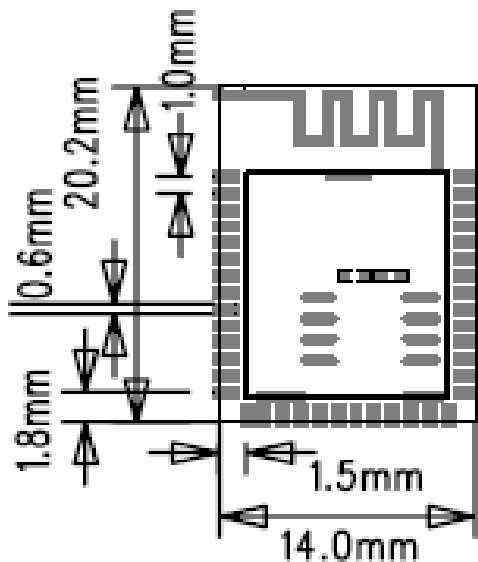


ELECTRONIC CO., LTD

TITLE:	PRODUCT NO:
DRAWN BY:	LY NO:
CHECKED BY:	SCALE:
APPROVED BY:	SIZE:
	DATE:
	REV NO:
	SHEET:

BTM98-8AA
 Zuoquojiang
 2011.07.15
 1/1
 A4
 ZUOQUOJIANG
 0A
 1/1

5.0 Package Dimensions



Unit: mm

Shenzhen TTK Technology CO.,LTD
TEL: 0755-89484041 FAX: 0755-89484040

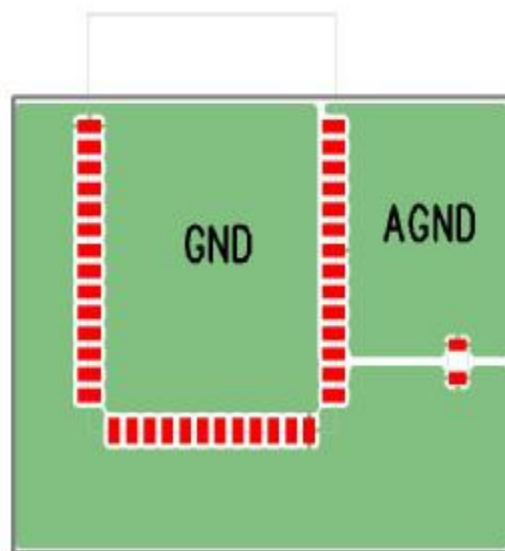
6.0 Layout Guidelines

6.0.1 Audio Layout

Route audio lines as differential pairs. The positive and negative signals should run parallel and close to each other until they are converted to single-ended signals. Use dedicated audio ground plane for entire audio section.

6.0.2 Antenna Design

Do not place GND plane or any metal directly under the antenna of BTM-68D. To avoid any excess parasitic capacitance in the antenna feed line caused by the RF test pin on the bottom side of the module, the area underneath the RF test pin should also be left free from copper. Any metal in close proximity of the antenna will have an effect on the antenna performance. Thus any metal should be placed as far from the antenna as possible. The module should be placed to an edge of the PCB.



7.0 Contact Information

Sales : ttk@szttk.com

Technical Support: zuogq@szttk.com ; zhangl@szttk.com

Address: 8th Floor,Southland Building,minzhi hongshan ,
Mei long Road, long hua Town, Bao'an District,shenzhen

Website: WWW.szttk.com

Shenzhen TTK Technology CO.,LTD
TEL: 0755-89484041 FAX: 0755-89484040