

Smart Highside High Current Power Switch

Features

- Overload protection
- Current limitation
- Short circuit protection
- Overtemperature protection
- Overvoltage protection (including load dump)
- Clamp of negative voltage at output
- Fast deenergizing of inductive loads ¹⁾
- Low ohmic inverse current operation
- Reverse battery protection
- Diagnostic feedback with load current sense
- Open load detection via current sense
- Loss of V_{bb} protection²⁾
- **Electrostatic discharge (ESD)** protection

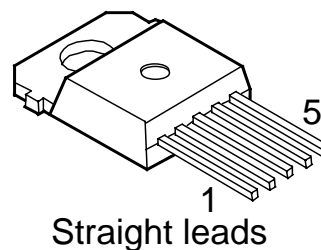
Product Summary

Overvoltage protection	$V_{bb(AZ)}$	63	V
Output clamp	$V_{ON(CL)}$	42	V
Operating voltage	$V_{bb(on)}$	5.0 ... 34	V
On-state resistance	R_{ON}	4.0	m Ω
Load current (ISO)	$I_L(ISO)$	97	A
Short circuit current limitation	$I_L(SCp)$	180	A
Current sense ratio	$I_L : I_S$	21000	

Application

- Power switch with current sense diagnostic feedback for 12V and 24V DC grounded loads
- Most suitable for loads with high inrush current like lamps and motors; all types of resistive and inductive loads
- Replaces electromechanical relays, fuses and discrete circuits

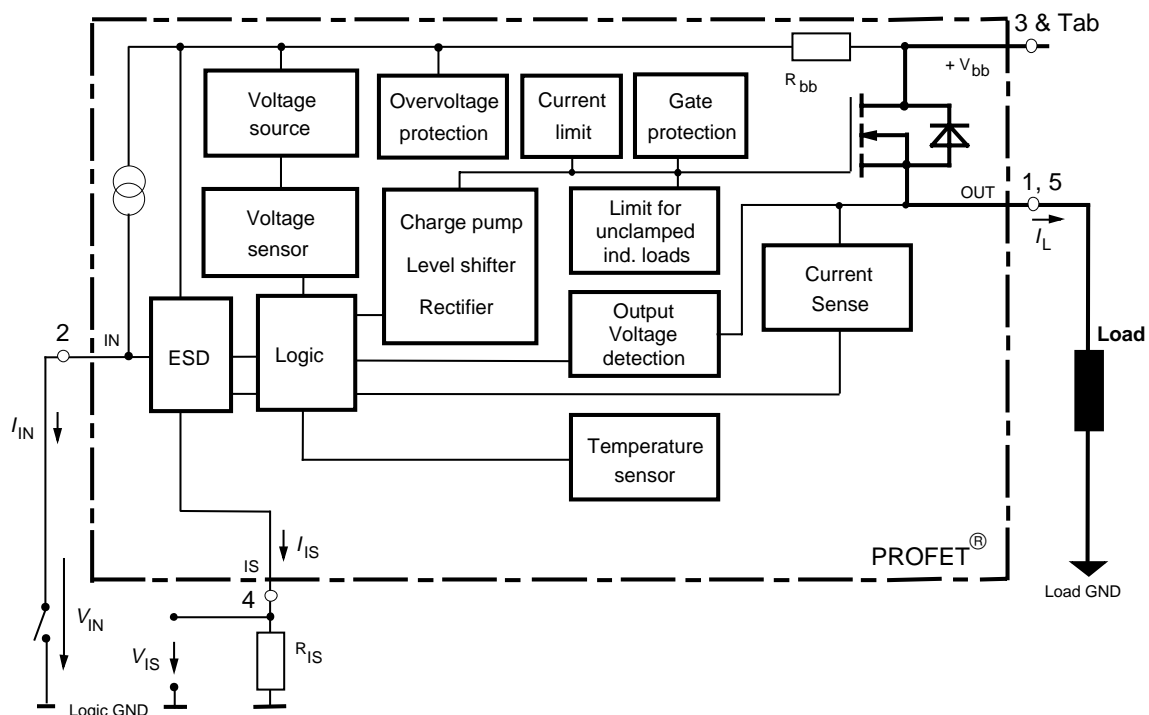
TO-218AB/5



Straight leads

General Description

N channel vertical power FET with charge pump, current controlled input and diagnostic feedback with load current sense, integrated in Smart SIPMOS[®] chip on chip technology. Fully protected by embedded protection functions.



1) With additional external diode.

2) Additional external diode required for energized inductive loads (see page 8).

Pin	Symbol		Function
1	OUT	O	Output to the load. The pins 1 and 5 must be shorted with each other especially in high current applications! ³⁾
2	IN	I	Input, activates the power switch in case of short to ground
3	V _{bb}	+	Positive power supply voltage, the tab is electrically connected to this pin. In high current applications the tab should be used for the V _{bb} connection instead of this pin ⁴⁾ .
4	IS	S	Diagnostic feedback providing a sense current proportional to the load current; zero current on failure (see Truth Table on page 6)
5	OUT	O	Output to the load. The pins 1 and 5 must be shorted with each other especially in high current applications! ³⁾

Maximum Ratings at $T_j = 25\text{ °C}$ unless otherwise specified

Parameter	Symbol	Values	Unit
Supply voltage (overvoltage protection see page 4)	V_{bb}	42	V
Supply voltage for full short circuit protection, $T_{j,start} = -40 \dots +150\text{ °C}$:	V_{bb}	34	V
Load current (short circuit current, see page 4)	I_L	self-limited	A
Load dump protection $V_{LoadDump} = U_A + V_S$, $U_A = 13.5\text{ V}$ $R_1^{5)} = 2\text{ }\Omega$, $R_L = 0.54\text{ }\Omega$, $t_d = 200\text{ ms}$, IN, IS = open or grounded	$V_{Load\ dump}^{6)}$	90	V
Operating temperature range	T_j	-40 ... +150	°C
Storage temperature range	T_{stg}	-55 ... +150	
Power dissipation (DC), $T_C \leq 25\text{ °C}$	P_{tot}	360	W
Inductive load switch-off energy dissipation, single pulse $V_{bb} = 12\text{ V}$, $T_{j,start} = 150\text{ °C}$, $T_C = 150\text{ °C}$ const., $I_L = 20\text{ A}$, $Z_L = 15\text{ mH}$, $0\text{ }\Omega$, see diagrams on page 9	E_{AS}	3	J
Electrostatic discharge capability (ESD) Human Body Model acc. MIL-STD883D, method 3015.7 and ESD asn. std. S5.1-1993, C = 100 pF, R = 1.5 k Ω	V_{ESD}	4	kV
Current through input pin (DC)	I_{IN}	+15, -250	mA
Current through current sense status pin (DC) see internal circuit diagrams on page 6 and 7	I_{IS}	+15, -250	

3) Not shorting all outputs will considerably increase the on-state resistance, reduce the peak current capability and decrease the current sense accuracy

4) Otherwise add up to 0.5 m Ω (depending on used length of the pin) to the R_{ON} if the pin is used instead of the tab.

5) R_1 = internal resistance of the load dump test pulse generator.

6) $V_{Load\ dump}$ is setup without the DUT connected to the generator per ISO 7637-1 and DIN 40839.

Thermal Characteristics

Parameter and Conditions	Symbol	Values			Unit
		min	typ	max	
Thermal resistance chip - case: junction - ambient (free air):	$R_{thJC}^{(7)}$	--	--	0.35	K/W
	R_{thJA}	--	30	--	

Electrical Characteristics

Parameter and Conditions	Symbol	Values			Unit
		min	typ	max	
at $T_j = -40 \dots +150^\circ\text{C}$, $V_{bb} = 12\text{V}$ unless otherwise specified					

Load Switching Capabilities and Characteristics

On-state resistance (Tab to pins 1,5, see measurement circuit page 6) $I_L = 20\text{A}$, $T_j = 25^\circ\text{C}$: $V_{IN} = 0$, $I_L = 20\text{A}$, $T_j = 150^\circ\text{C}$: $I_L = 120\text{A}$, $T_j = 150^\circ\text{C}$: $V_{bb} = 6\text{V}^{(8)}$, $I_L = 20\text{A}$, $T_j = 150^\circ\text{C}$:	R_{ON}	--	3.3 6.4	4.0 7.8	m Ω	
	$R_{ON(Static)}$	--	9	12		
	Nominal load current ⁹⁾ (Tab to pins 1,5) ISO 10483-1/6.7: $V_{ON} = 0.5\text{V}$, $T_C = 85^\circ\text{C}$ ¹⁰⁾	$I_{L(ISO)}$	80	97		--
Maximum load current in resistive range (Tab to pins 1,5) see diagram on page 12	$I_{L(Max)}$	$V_{ON} = 1.8\text{V}$, $T_C = 25^\circ\text{C}$:	350	--	--	A
		$V_{ON} = 1.8\text{V}$, $T_C = 150^\circ\text{C}$:	180	--	--	
Turn-on time ¹¹⁾ Turn-off time $R_L = 1\Omega$, $T_j = -40\dots+150^\circ\text{C}$	$I_{IN} \uparrow$ to 90% V_{OUT} : $I_{IN} \downarrow$ to 10% V_{OUT} :	t_{on} t_{off}	140 40	-- --	600 150	μs
Slew rate on ¹¹⁾ (10 to 30% V_{OUT}) $R_L = 1\Omega$, $T_j = 25^\circ\text{C}$	dV/dt_{on}	--	0.45	--	V/ μs	
Slew rate off ¹¹⁾ (70 to 40% V_{OUT}) $R_L = 1\Omega$, $T_j = 25^\circ\text{C}$	$-dV/dt_{off}$	--	0.55	--	V/ μs	

Inverse Load Current Operation

On-state resistance (Pins 1,5 to pin 3) $V_{bIN} = 12\text{V}$, $I_L = -20\text{A}$ see diagram on page 9	$T_j = 25^\circ\text{C}$: $T_j = 150^\circ\text{C}$:	$R_{ON(inv)}$	--	3.3 6.4	4.0 7.8	m Ω
			Nominal inverse load current (Pins 1,5 to Tab) $V_{ON} = -0.5\text{V}$, $T_C = 85^\circ\text{C}$ ¹⁰⁾	$I_{L(inv)}$	80	
Drain-source diode voltage ($V_{out} > V_{bb}$) $I_L = -20\text{A}$, $I_{IN} = 0$, $T_j = +150^\circ\text{C}$		$-V_{ON}$	--	0.8	--	V

7) Thermal resistance R_{thCH} case to heatsink (about 0.25 K/W with silicone paste) not included!

8) Decrease of V_{bb} below 10 V causes a slowly a dynamic increase of R_{ON} to a higher value of $R_{ON(Static)}$. As long as $V_{bIN} > V_{bIN(u) max}$, R_{ON} increase is less than 10 % per second for $T_j < 85^\circ\text{C}$.

9) Not tested, specified by design.

10) T_j is about 105°C under these conditions.

11) See timing diagram on page 13.

Parameter and Conditions at $T_j = -40 \dots +150^\circ\text{C}$, $V_{bb} = 12\text{V}$ unless otherwise specified	Symbol	Values			Unit
		min	typ	max	

Operating Parameters

Operating voltage ($V_{IN} = 0$) ^{8, 12)}	$V_{bb(\text{on})}$	5.0	--	34	V
Undervoltage shutdown ¹³⁾	$V_{bIN(u)}$	2.0	3.0	4.5	V
Undervoltage start of charge pump see diagram page 14	$V_{bIN(\text{ucp})}$	3.5	4.5	6.0	V
Overvoltage protection ¹⁴⁾ $I_{bb} = 15\text{ mA}$	$T_j = -40^\circ\text{C}$: $T_j = 25\dots+150^\circ\text{C}$: $V_{bIN(z)}$	60 62	-- 66	-- --	V
Standby current $I_{IN} = 0$	$T_j = -40\dots+25^\circ\text{C}$: $T_j = 150^\circ\text{C}$: $I_{bb(\text{off})}$	-- --	15 25	25 50	μA

Protection Functions

Short circuit current limit (Tab to pins 1,5) $V_{ON} = 12\text{V}$, time until shutdown max. 350 μs	$T_C = -40^\circ\text{C}$: $T_C = 25^\circ\text{C}$: $T_C = +150^\circ\text{C}$: $I_L(\text{SCp})$	-- -- 120	170 180 170	-- 250 --	A
Short circuit shutdown delay after input current positive slope, $V_{ON} > V_{ON(\text{SC})}$ min. value valid only if input "off-signal" time exceeds 30 μs	$t_d(\text{SC})$	80	--	350	μs
Output clamp ¹⁵⁾ (inductive load switch off)	$I_L = 40\text{ mA}$: $I_L = 20\text{ A}$: $-V_{OUT(\text{CL})}$	-- --	16.8 19.0	-- --	V
Output clamp (inductive load switch off) at $V_{OUT} = V_{bb} - V_{ON(\text{CL})}$ (e.g. overvoltage) $I_L = 40\text{ mA}$	$V_{ON(\text{CL})}$	39	42	46.5	V
Short circuit shutdown detection voltage (pin 3 to pins 1,5)	$V_{ON(\text{SC})}$	--	6	--	V
Thermal overload trip temperature	T_{jt}	150	--	--	$^\circ\text{C}$
Thermal hysteresis	ΔT_{jt}	--	10	--	K

¹²⁾ If the device is turned on before a V_{bb} -decrease, the operating voltage range is extended down to $V_{bIN(u)}$. For the voltage range 0..34 V the device is fully protected against overtemperature and short circuit.

¹³⁾ $V_{bIN} = V_{bb} - V_{IN}$ see diagram on page 6. When V_{bIN} increases from less than $V_{bIN(u)}$ up to $V_{bIN(\text{ucp})} = 5\text{V}$ (typ.) the charge pump is not active and $V_{OUT} \approx V_{bb} - 3\text{V}$.

¹⁴⁾ See also $V_{ON(\text{CL})}$ in circuit diagram on page 7.

¹⁵⁾ This output clamp can be "switched off" by using an additional diode at the IS-Pin (see page 7). If the diode is used, V_{OUT} is clamped to $V_{bb} - V_{ON(\text{CL})}$ at inductive load switch off.

Parameter and Conditions at $T_j = -40 \dots +150^\circ\text{C}$, $V_{bb} = 12\text{V}$ unless otherwise specified	Symbol	Values			Unit
		min	typ	max	

Reverse Battery

Reverse battery voltage ¹⁶⁾	$-V_{bb}$	--	--	32	V
On-state resistance (Pins 1,5 to pin 3) $V_{bb} = -12\text{V}$, $V_{IN} = 0$, $I_L = -20\text{A}$, $R_{IS} = 1\text{k}\Omega$	$R_{ON(\text{rev})}$	--	3.8	4.6	$\text{m}\Omega$
			--	9	
Integrated resistor in V_{bb} line	R_{bb}	--	120	--	Ω

Diagnostic Characteristics

Current sense ratio, static on-condition, $k_{ILIS} = I_L : I_{IS}$, $V_{ON} < 1.5\text{V}^{17)}$, $V_{IS} < V_{OUT} - 5\text{V}$, $V_{bIN} > 4.0\text{V}$ see diagram on page 11	$I_L = 120\text{A}$, $T_j = -40^\circ\text{C}$:	k_{ILIS}	19 000	21 100	22 500	
	$T_j = 25^\circ\text{C}$:		19 000	20 900	22 500	
	$T_j = 150^\circ\text{C}$:		18 400	19 600	22 000	
	$I_L = 20\text{A}$, $T_j = -40^\circ\text{C}$:		19 300	22 500	25 500	
	$T_j = 25^\circ\text{C}$:		19 500	21 500	24 800	
	$T_j = 150^\circ\text{C}$:		18 500	20 500	23 000	
	$I_L = 12\text{A}$, $T_j = -40^\circ\text{C}$:		19 000	23 000	27 500	
	$T_j = 25^\circ\text{C}$:		19 000	22 500	26 000	
	$T_j = 150^\circ\text{C}$:		17 500	20 000	22 000	
	$I_L = 6\text{A}$, $T_j = -40^\circ\text{C}$:		17 000	26 000	42 000	
	$T_j = 25^\circ\text{C}$:		17 000	23 800	33 000	
	$T_j = 150^\circ\text{C}$:		17 000	20 000	26 000	
$I_{IS} = 0$ by $I_{IN} = 0$ (e.g. during deenergizing of inductive loads):						
Sense current saturation	$I_{IS,lim}$	6.5	--	--	mA	
Current sense leakage current	$I_{IN} = 0$, $V_{IS} = 0$:	$I_{IS(LL)}$	--	--	0.5	μA
	$V_{IN} = 0$, $V_{IS} = 0$, $I_L \leq 0$:	$I_{IS(LH)}$	--	2	--	
Current sense settling time ¹⁸⁾	$t_{s(IS)}$	--	--	500	μs	
Overvoltage protection $I_{bb} = 15\text{mA}$	$T_j = -40^\circ\text{C}$:	$V_{bIS(Z)}$	60	--	--	V
	$T_j = 25\dots+150^\circ\text{C}$:		62	66	--	

Input

Input and operating current (see diagram page 12) IN grounded ($V_{IN} = 0$)	$I_{IN(\text{on})}$	--	0.8	1.5	mA
Input current for turn-off ¹⁹⁾	$I_{IN(\text{off})}$	--	--	80	μA

¹⁶⁾ The reverse load current through the intrinsic drain-source diode has to be limited by the connected load (as it is done with all polarity symmetric loads). Note that under off-conditions ($I_{IN} = I_{IS} = 0$) the power transistor is not activated. This results in raised power dissipation due to the higher voltage drop across the intrinsic drain-source diode. The temperature protection is not active during reverse current operation! Increasing reverse battery voltage capability is simply possible as described on page 8.

¹⁷⁾ If V_{ON} is higher, the sense current is no longer proportional to the load current due to sense current saturation, see $I_{IS,lim}$.

¹⁸⁾ Not tested, specified by design.

¹⁹⁾ We recommend the resistance between IN and GND to be less than $0.5\text{k}\Omega$ for turn-on and more than $500\text{k}\Omega$ for turn-off. Consider that when the device is switched off ($I_{IN} = 0$) the voltage between IN and GND reaches almost V_{bb} .

Parameter and Conditions at $T_j = -40 \dots +150^\circ\text{C}$, $V_{bb} = 12\text{V}$ unless otherwise specified	Symbol	Values			Unit
		min	typ	max	

Truth Table

	Input current level	Output level	Current Sense I_{IS}	Remark
Normal operation	L H	L H	0 nominal	$=I_L / k_{IIS}$, up to $I_{IS}=I_{IS,lim}$
Very high load current	H	H	$I_{IS,lim}$	up to $V_{ON}=V_{ON(\text{Fold back})}$ I_{IS} no longer proportional to I_L
Current-limitation	H	H	0	$V_{ON} > V_{ON(\text{Fold back})}$ if $V_{ON} > V_{ON(SC)}$, shutdown will occur
Short circuit to GND	L H	L L	0 0	
Over-temperature	L H	L L	0 0	
Short circuit to V_{bb}	L H	H H	0 <nominal ²⁰⁾	
Open load	L H	Z ²¹⁾ H	0 0	
Negative output voltage clamp	L	L	0	
Inverse load current	L H	H H	0 0	

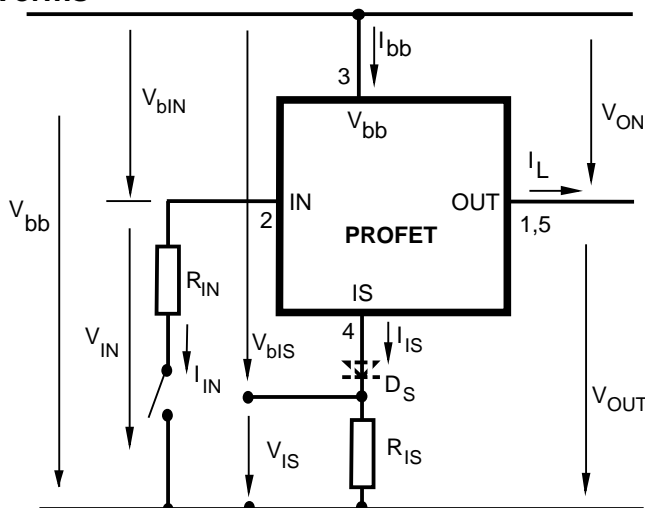
L = "Low" Level

H = "High" Level

Overtemperature reset by cooling: $T_j < T_{jt}$ (see diagram on page 14)

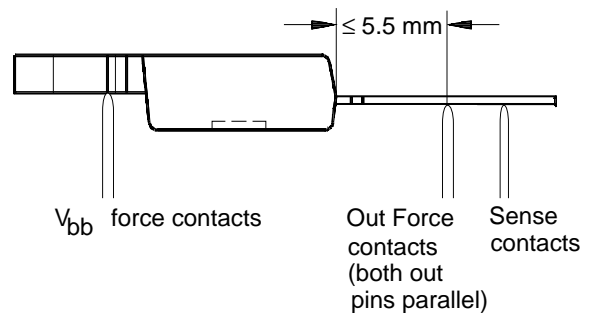
Short circuit to GND: Shutdown remains latched until next reset via input (see diagram on page 13)

Terms



Two or more devices can easily be connected in parallel to increase load current capability.

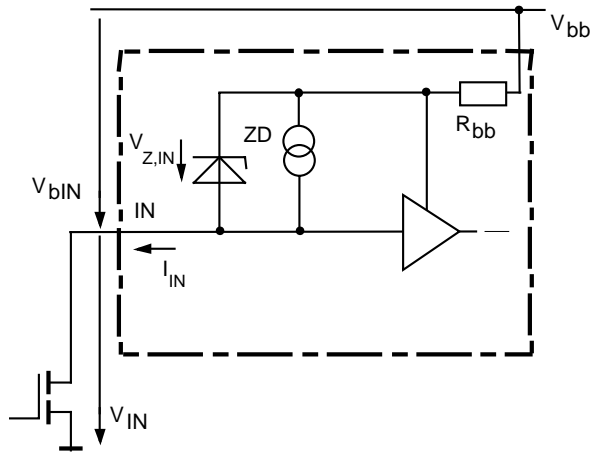
RON measurement layout



20) Low ohmic short to V_{bb} may reduce the output current I_L and can thus be detected via the sense current I_{IS} .

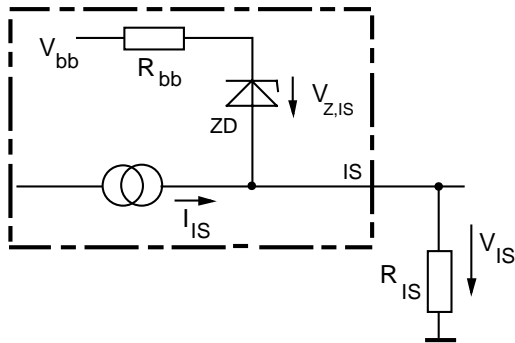
21) Power Transistor "OFF", potential defined by external impedance.

Input circuit (ESD protection)



When the device is switched off ($I_{IN} = 0$) the voltage between IN and GND reaches almost V_{bb} . Use a mechanical switch, a bipolar or MOS transistor with appropriate breakdown voltage as driver.
 $V_{Z,IN} = 66 \text{ V (typ.)}$.

Current sense status output



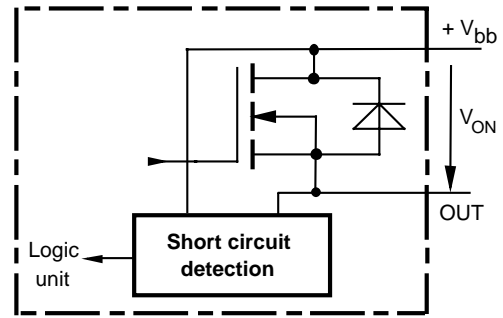
$V_{Z,IS} = 66 \text{ V (typ.)}$, $R_{IS} = 1 \text{ k}\Omega$ nominal (or $1 \text{ k}\Omega / n$, if n devices are connected in parallel). $I_S = I_L / K_{IIS}$ can be driven only by the internal circuit as long as $V_{out} - V_{IS} > 5 \text{ V}$. If you want to measure load currents up to $I_{L(M)}$,

R_{IS} should be less than $\frac{V_{bb} - 5 \text{ V}}{I_{L(M)} / K_{IIS}}$.

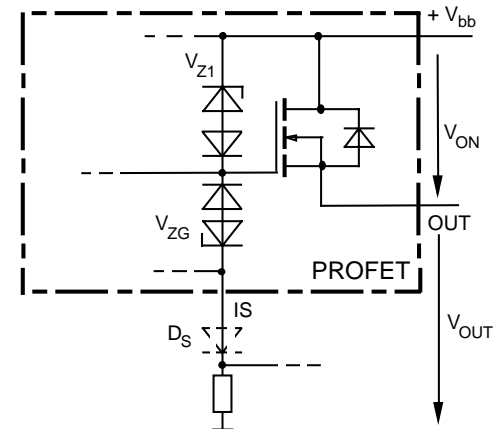
Note: For large values of R_{IS} the voltage V_{IS} can reach almost V_{bb} . See also overvoltage protection. If you don't use the current sense output in your application, you can leave it open.

Short circuit detection

Fault Condition: $V_{ON} > V_{ON(SC)}$ (6 V typ.) and $t > t_{d(SC)}$ ($80 \dots 350 \mu\text{s}$).

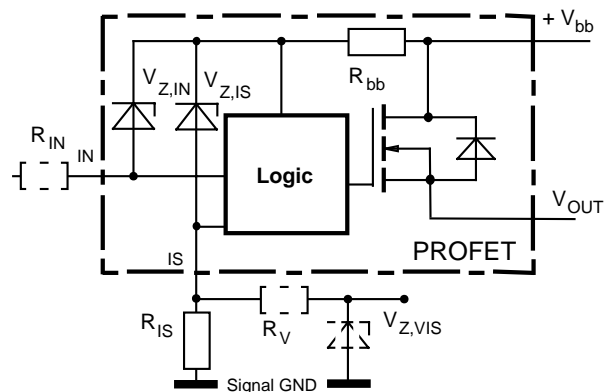


Inductive and overvoltage output clamp



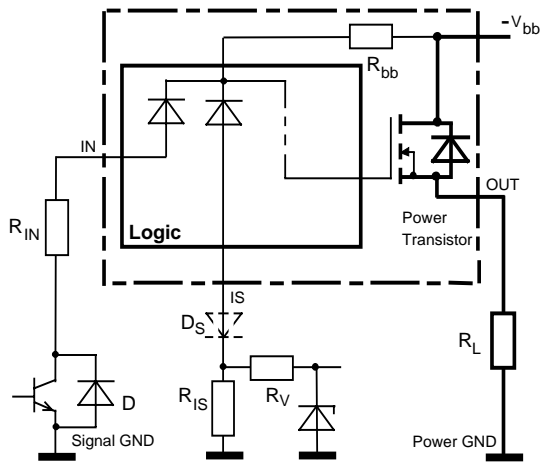
V_{ON} is clamped to $V_{ON(CL)} = 42 \text{ V typ.}$ At inductive load switch-off without D_S , V_{OUT} is clamped to $V_{OUT(CL)} = -19 \text{ V typ.}$ via V_{ZG} . With D_S , V_{OUT} is clamped to $V_{bb} - V_{ON(CL)}$ via V_{Z1} . Using D_S gives faster deenergizing of the inductive load, but higher peak power dissipation in the PROFET.

Overvoltage protection of logic part



$R_{bb} = 120 \Omega \text{ typ.}$, $V_{Z,IN} = V_{Z,IS} = 66 \text{ V typ.}$, $R_{IS} = 1 \text{ k}\Omega$ nominal. Note that when overvoltage exceeds 71 V typ. a voltage above 5 V can occur between IS and GND, if R_V , $V_{Z,VIS}$ are not used.

Reverse battery protection



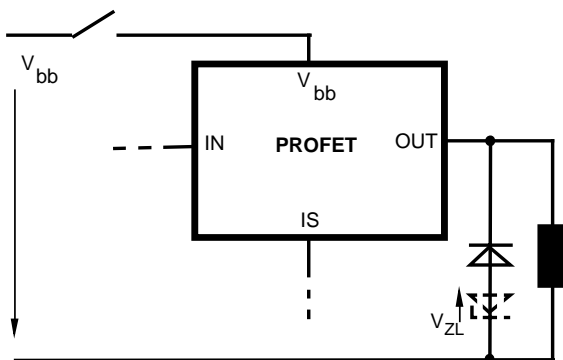
$R_V \geq 1 \text{ k}\Omega$, $R_{IS} = 1 \text{ k}\Omega$ nominal. Add R_{IN} for reverse battery protection in applications with V_{bb} above $16 \text{ V}^{(16)}$; recommended value: $\frac{1}{R_{IN}} + \frac{1}{R_{IS}} + \frac{1}{R_V} = \frac{0.1 \text{ A}}{|V_{bb}| - 12 \text{ V}}$ if D_S is not used (or $\frac{1}{R_{IN}} = \frac{0.1 \text{ A}}{|V_{bb}| - 12 \text{ V}}$ if D_S is used).

To minimize power dissipation at reverse battery operation, the summarized current into the IN and IS pin should be about 120mA. The current can be provided by using a small signal diode D in parallel to the input switch, by using a MOSFET input switch or by proper adjusting the current through R_{IS} and R_V .

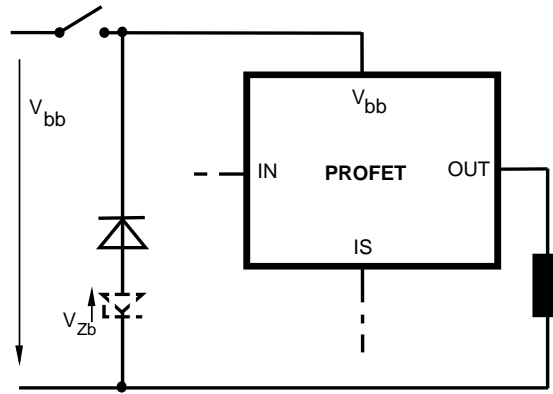
V_{bb} disconnect with energized inductive load

Provide a current path with load current capability by using a diode, a Z-diode, or a varistor. ($V_{ZL} < 72 \text{ V}$ or $V_{Zb} < 30 \text{ V}$ if $R_{IN}=0$). For higher clamp voltages currents at IN and IS have to be limited to 250 mA.

Version a:

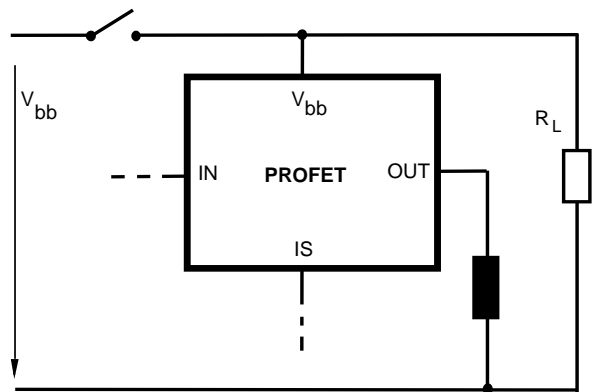


Version b:

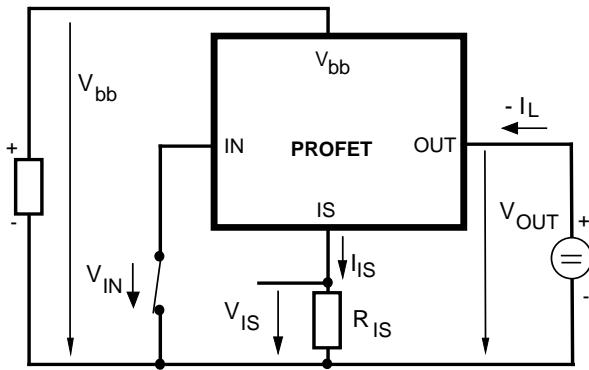


Note that there is no reverse battery protection when using a diode without additional Z-diode V_{ZL} , V_{Zb} .

Version c: Sometimes a necessary voltage clamp is given by non inductive loads R_L connected to the same switch and eliminates the need of clamping circuit:



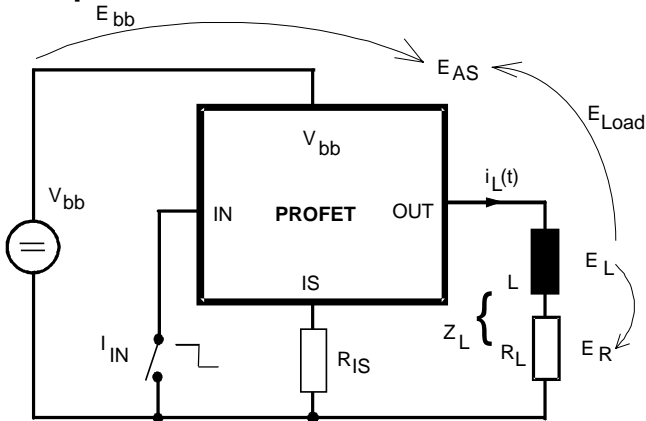
Inverse load current operation



The device is specified for inverse load current operation ($V_{OUT} > V_{bb} > 0V$). The current sense feature is not available during this kind of operation ($I_{IS} = 0$). With $I_{IN} = 0$ (e.g. input open) only the intrinsic drain source diode is conducting resulting in considerably increased power dissipation. If the device is switched on ($V_{IN} = 0$), this power dissipation is decreased to the much lower value $R_{ON(INV)} \cdot I^2$ (specifications see page 3).

Note: *Temperature protection during inverse load current operation is not possible!*

Inductive load switch-off energy dissipation



Energy stored in load inductance:

$$E_L = \frac{1}{2} \cdot L \cdot I_L^2$$

While demagnetizing load inductance, the energy dissipated in PROFET is

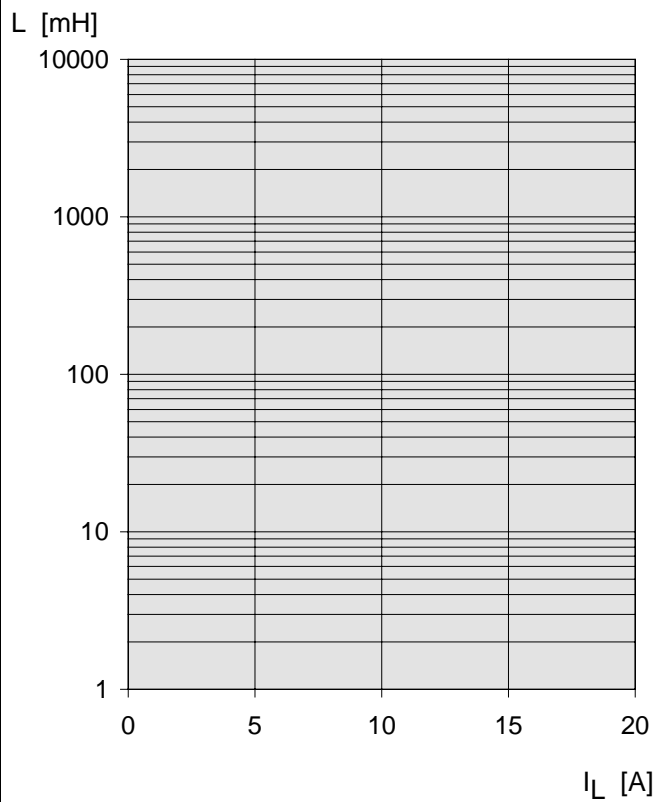
$$E_{AS} = E_{bb} + E_L - E_R = \int V_{ON(CL)} \cdot i_L(t) dt,$$

with an approximate solution for $R_L > 0 \Omega$:

$$E_{AS} = \frac{I_L \cdot L}{2 \cdot R_L} (V_{bb} + |V_{OUT(CL)}|) \ln \left(1 + \frac{I_L \cdot R_L}{|V_{OUT(CL)}|} \right)$$

Maximum allowable load inductance for a single switch off

$L = f(I_L)$; $T_{j,start} = 150^\circ C$, $V_{bb} = 12V$, $R_L = 0 \Omega$



Options Overview

Type	BTS	550P 650P	555
Overtemperature protection with hysteresis $T_j > 150\text{ °C}$, latch function ²²⁾		X	X
$T_j > 150\text{ °C}$, with auto-restart on cooling		X	
Short circuit to GND protection switches off when $V_{ON} > 6\text{ V}$ typ. (when first turned on after approx. $180\text{ }\mu\text{s}$)		X	X
Overvoltage shutdown		-	-
Output negative voltage transient limit to $V_{bb} - V_{ON(CL)}$ to $V_{OUT} = -19\text{ V}$ typ		X X ²³⁾	X X ²³⁾

²²⁾ Latch except when $V_{bb} - V_{OUT} < V_{ON(SC)}$ after shutdown. In most cases $V_{OUT} = 0\text{ V}$ after shutdown ($V_{OUT} \neq 0\text{ V}$ only if forced externally). So the device remains latched unless $V_{bb} < V_{ON(SC)}$ (see page 4). No latch between turn on and $t_{d(SC)}$.

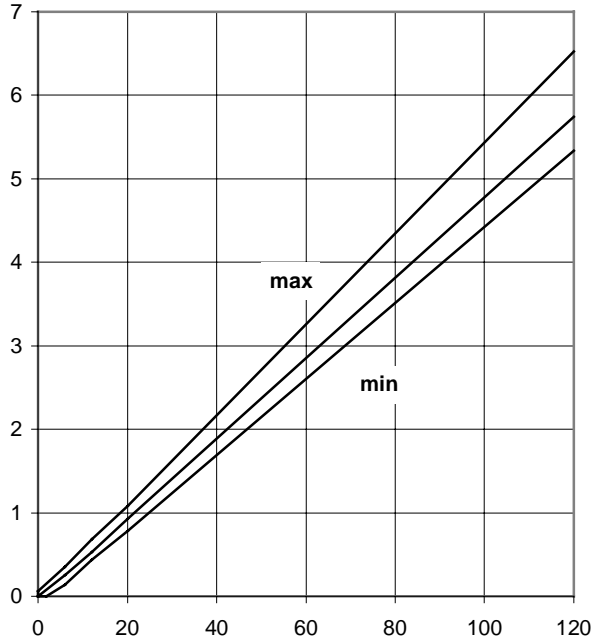
²³⁾ Can be "switched off" by using a diode D_S (see page 7) or leaving open the current sense output.

Characteristics

Current sense versus load current:

$$I_{IS} = f(I_L)$$

I_{IS} [mA]

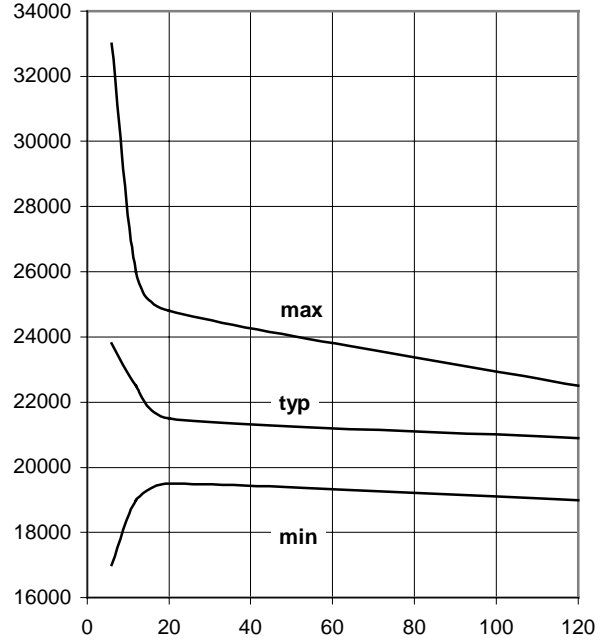


I_L [A]

Current sense ratio:

$$K_{ILIS} = f(I_L), T_J = 25\text{ °C}$$

K_{ILIS}

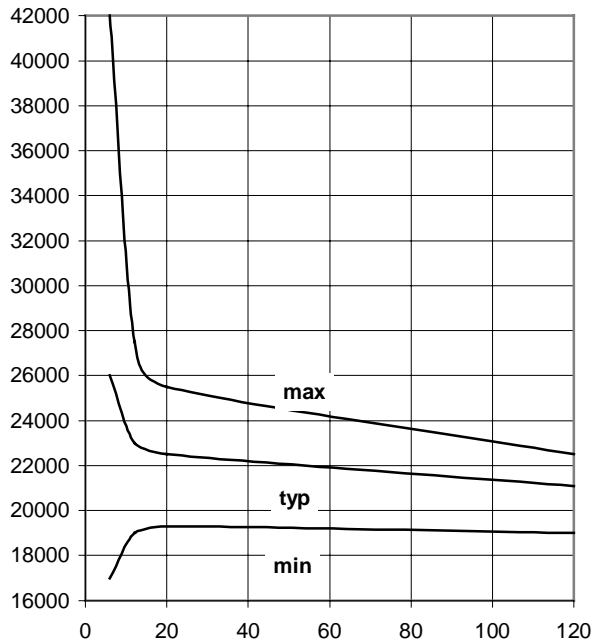


I_L [A]

Current sense ratio:

$$K_{ILIS} = f(I_L), T_J = -40\text{ °C}$$

K_{ILIS}

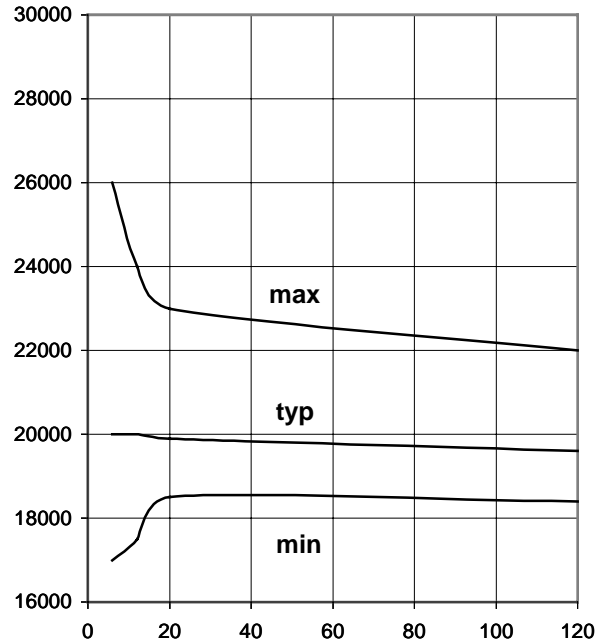


I_L [A]

Current sense ratio:

$$K_{ILIS} = f(I_L), T_J = 150\text{ °C}$$

K_{ILIS}

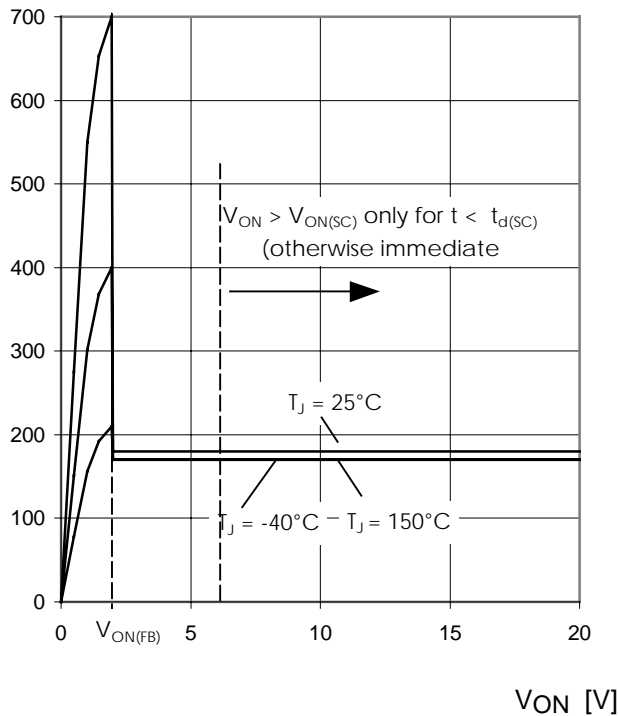


I_L [A]

Typ. current limitation characteristic

$$I_L = f(V_{ON}, T_j)$$

I_L [A]

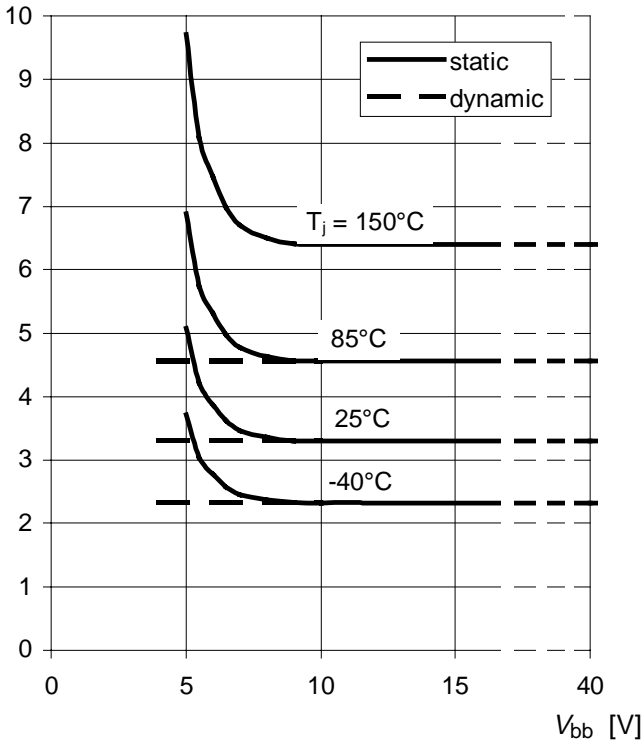


In case of $V_{ON} > V_{ON(SC)}$ (typ. 6 V) the device will be switched off by internal short circuit detection.

Typ. on-state resistance

$$R_{ON} = f(V_{bb}, T_j); I_L = 20 \text{ A}; V_{IN} = 0$$

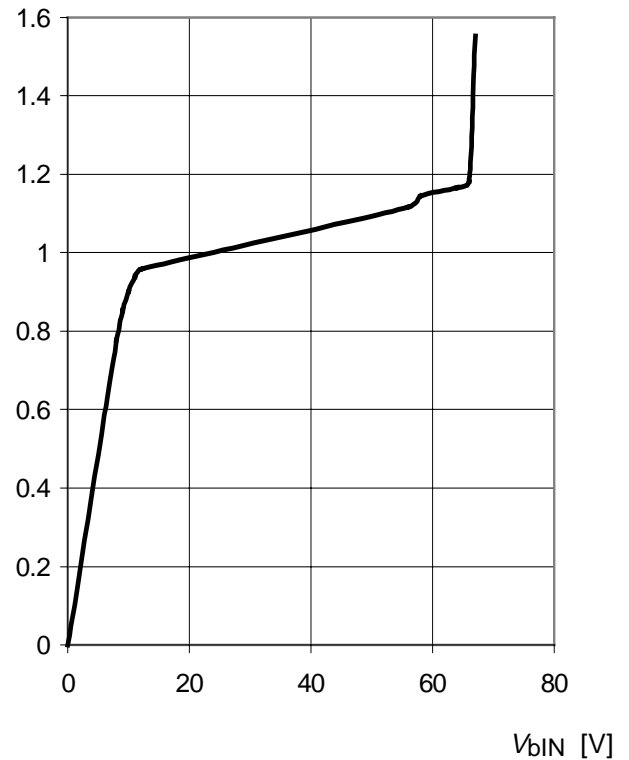
R_{ON} [mOhm]



Typ. input current

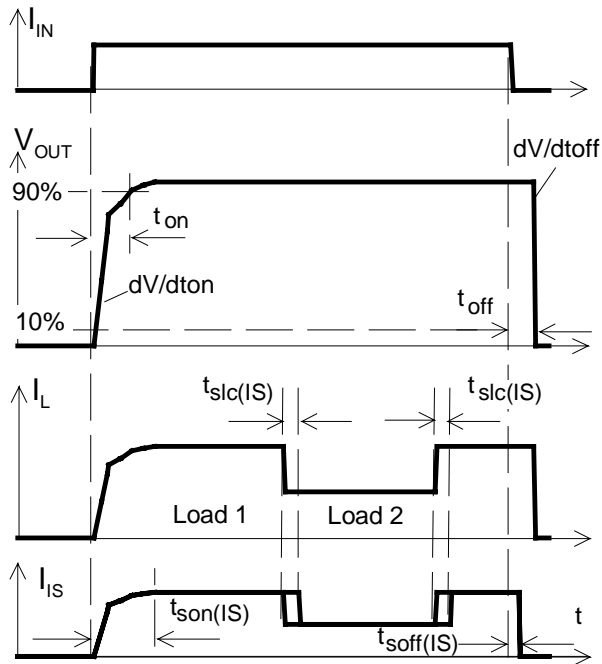
$$I_{IN} = f(V_{bIN}), V_{bIN} = V_{bb} - V_{IN}$$

I_{IN} [mA]



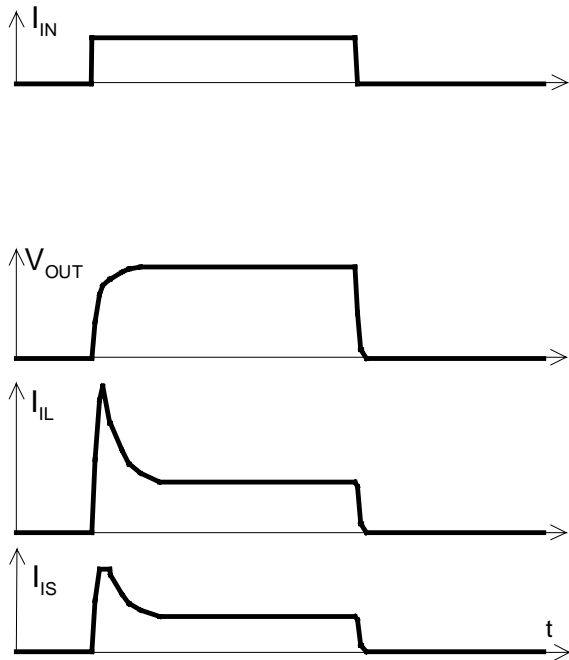
Timing diagrams

Figure 1a: Switching a resistive load, change of load current in on-condition:



The sense signal is not valid during a settling time after turn-on/off and after change of load current.

Figure 2a: Switching motors and lamps:



Sense current saturation can occur at very high inrush currents (see $I_{IS,lim}$ on page 5).

Figure 2b: Switching an inductive load:

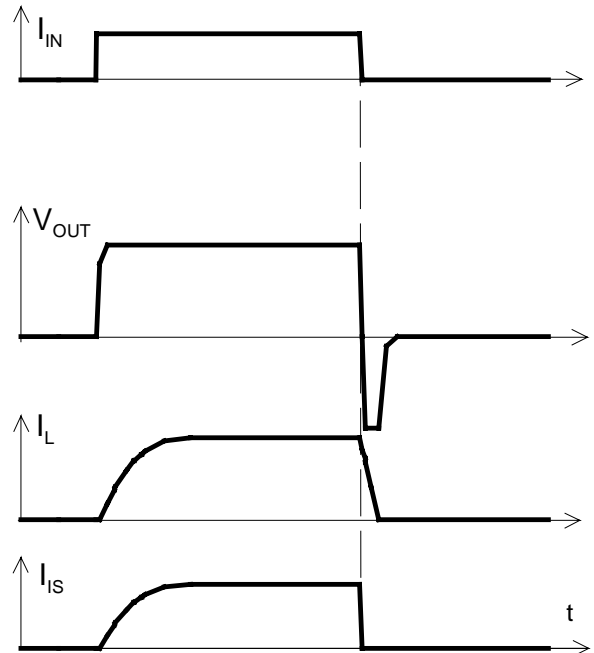
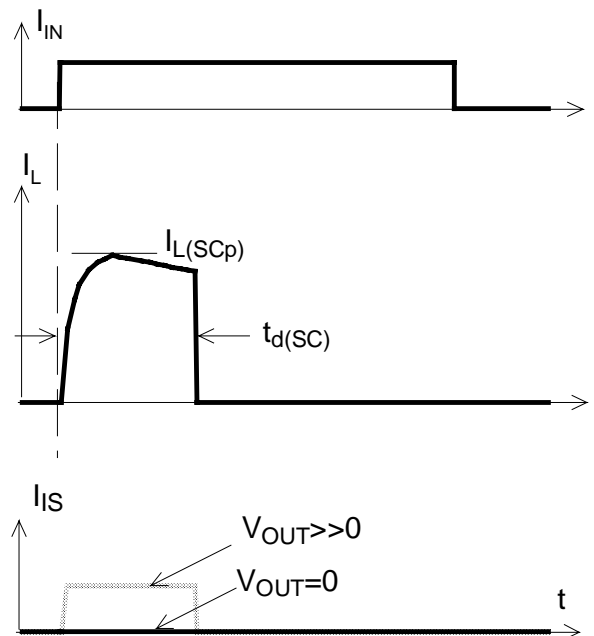


Figure 3a: Short circuit:

shut down by short circuit detection, reset by $I_{IN} = 0$.



Shut down remains latched until next reset via input.

Figure 4a: Overtemperature
Reset if $T_j < T_{jt}$

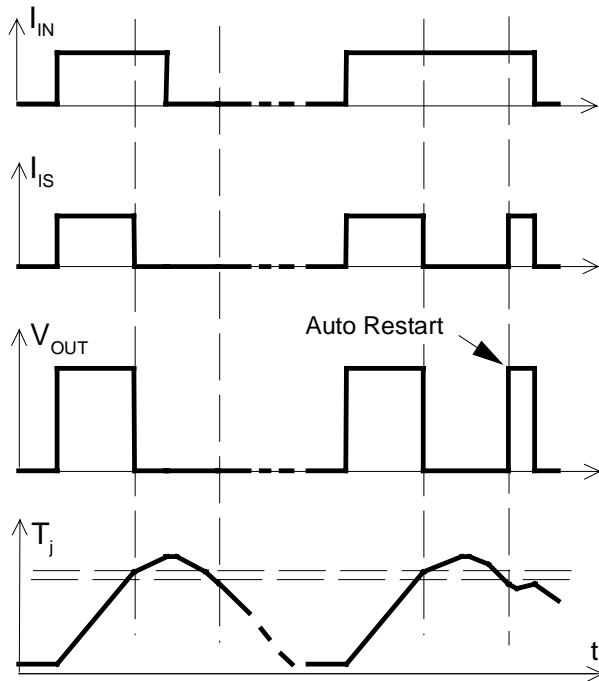
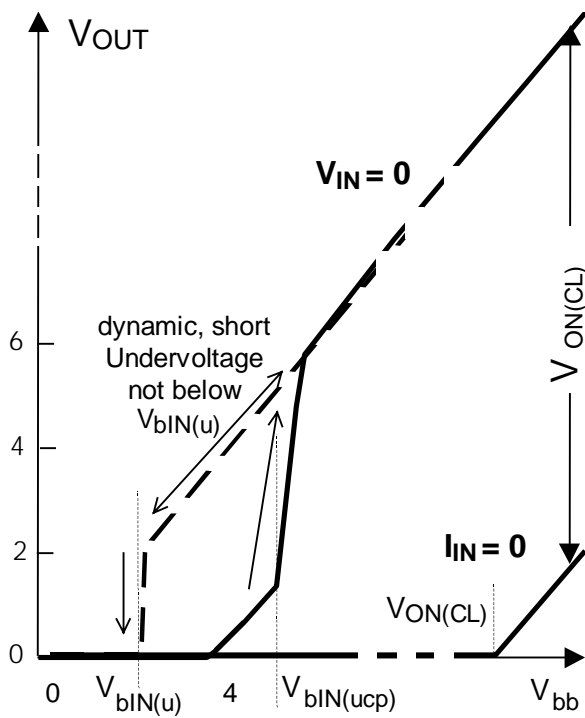


Figure 6a: Undervoltage restart of charge pump, overvoltage clamp

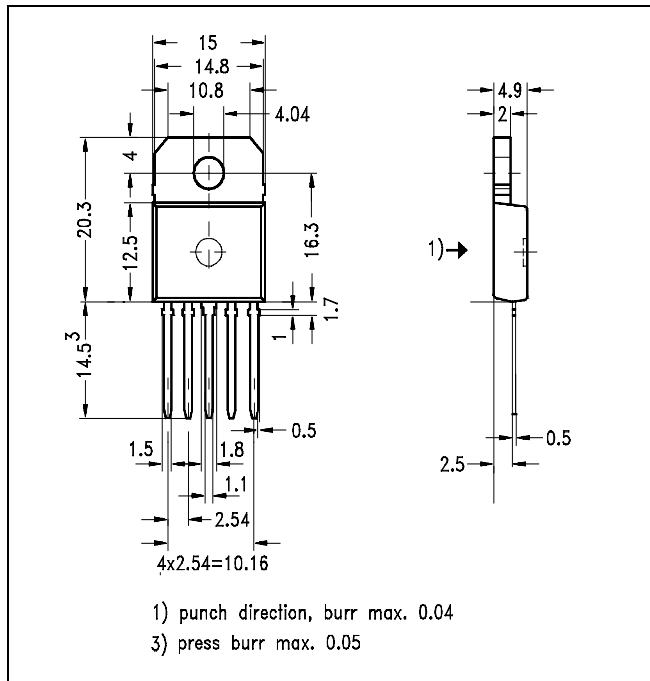


Package and Ordering Code

All dimensions in mm

TO-218AB/5 Option E3146 Ordering code

E3146	Q67060-S6952A3
-------	----------------



Published by Siemens AG, Bereich Halbleiter Vertrieb, Werbung, Balanstraße 73, D-81541 München

© Siemens AG 1998. All Rights Reserved

Attention please!

As far as patents or other rights of third parties are concerned, liability is only assumed for components, not for applications, processes and circuits implemented within components or assemblies. The information describes a type of component and shall not be considered as warranted characteristics. Terms of delivery and rights to change design reserved. For questions on technology, delivery and prices please contact the Semiconductor Group Offices in Germany or the Siemens Companies and Representatives worldwide (see address list). Due to technical requirements components may contain dangerous substances. For information on the types in question please contact your nearest Siemens Office, Semiconductor Group. Siemens AG is an approved CECC manufacturer.

Packing: Please use the recycling operators known to you. We can also help you - get in touch with your nearest sales office. By agreement we will take packing material back, if it is sorted. You must bear the costs of transport. For packing material that is returned to us unsorted or which we are not obliged to accept, we shall have to invoice you for any costs incurred.

Components used in life-support devices or systems must be expressly authorised for such purpose! Critical components²⁴⁾ of the Semiconductor Group of Siemens AG, may only be used in life supporting devices or systems²⁵⁾ with the express written approval of the Semiconductor Group of Siemens AG.

24) A critical component is a component used in a life-support device or system whose failure can reasonably be expected to cause the failure of that life-support device or system, or to affect its safety or effectiveness of that device or system.

25) Life support devices or systems are intended (a) to be implanted in the human body or (b) support and/or maintain and sustain and/or protect human life. If they fail, it is reasonably to assume that the health of the user or other persons may be endangered.