

# BTS 6142D

Smart High-Side Power Switch  
PROFET

One Channel, 12 m $\Omega$

Automotive Power



Never stop thinking.

<b>Table of Contents</b>	<b>Page</b>
<b>Product Summary</b> .....	<b>3</b>
<b>1 Overview</b> .....	<b>5</b>
1.1 Block Diagram .....	5
1.2 Terms .....	6
<b>2 Pin Configuration</b> .....	<b>7</b>
2.1 Pin Assignment BTS 6142D .....	7
2.2 Pin Definitions and Functions .....	7
<b>3 Electrical Characteristics</b> .....	<b>8</b>
3.1 Maximum Ratings .....	8
<b>4 Block Description and Electrical Characteristics</b> .....	<b>10</b>
4.1 Power Stages .....	10
4.1.1 Input Circuit .....	10
4.1.2 Output On-State Resistance .....	11
4.1.3 Output Inductive Clamp .....	12
4.1.4 Electrical Characteristics .....	15
4.2 Protection Functions .....	17
4.2.1 Over-Load Protection .....	17
4.2.2 Short circuit impedance .....	18
4.2.3 Reverse Polarity Protection - Reversave™ .....	18
4.2.4 Over-Voltage Protection .....	20
4.2.5 Loss of Ground Protection .....	20
4.2.6 Loss of V <sub>bb</sub> Protection .....	20
4.2.7 Electrical Characteristics .....	21
4.3 Diagnosis .....	23
4.3.1 Electrical Characteristics .....	26
<b>5 Package Outlines BTS 6142D</b> .....	<b>27</b>
<b>6 Revision History</b> .....	<b>28</b>



**Product Summary**

The BTS 6142D is a one channel high-side power switch in PG-TO252-5-11 package providing embedded protective functions including ReverSave™.

The power transistor is built by a N-channel vertical power MOSFET with charge pump. The design is based on Smart SIPMOS chip on chip technology.



Operating voltage	$V_{bb(on)}$	5.5 .. 24 V
Over-voltage protection	$V_{ON(CL)}$	39 V
On-State resistance	$R_{DS(ON)}$	12 mΩ
Nominal load current	$I_{L(nom)}$	7 A
Load current (ISO)	$I_{L(ISO)}$	27 A
Current limitation	$I_{L6(SC)}$	50 A
Stand-by current for whole device with load	$I_{bb(OFF)}$	6 μA

**Basic Features**

- Very low standby current
- Current controlled input pin
- Improved electromagnetic compatibility (EMC)
- Fast demagnetization of inductive loads
- Stable behavior at under-voltage
- Green Product (RoHS compliant)
- AEC qualified

<b>Type</b>	<b>Package</b>
BTS 6142D	PG-TO252-5-11

## Protective Functions

- ReverSave™, channel switches on in case of reverse polarity
- Reverse battery protection without external components
- Short circuit protection with latch
- Over-load protection
- Multi-step current limitation
- Thermal shutdown with restart
- Over-voltage protection (including load dump)
- Loss of ground protection
- Loss of  $V_{bb}$  protection (with external diode for charged inductive loads)
- Electrostatic discharge protection (ESD)

## Diagnostic Functions

- Proportional load current sense (with defined fault signal in case of overload operation, over temperature shutdown and/or short circuit shutdown)
- Open load detection in ON-state by load current sense

## Applications

- $\mu$ C compatible high-side power switch with diagnostic feedback for 12 V grounded loads
- All types of resistive, inductive and capacitive loads
- Most suitable for loads with high inrush currents, so as lamps
- Replaces electromechanical relays, fuses and discrete circuits

# 1 Overview

The BTS 6142D is a one channel high-side power switch (12 mΩ) in PG-TO252-5-11 power package providing embedded protective functions including ReverSave™.

ReverSave™ is a protection feature that causes the power transistors to switch on in case of reverse polarity. As a result, the power dissipation is reduced.

The BTS 6142D has a current controlled input and offers a diagnostic feedback with load current sense. The design is based on Smart SIPMOS chip on chip technology.

## 1.1 Block Diagram

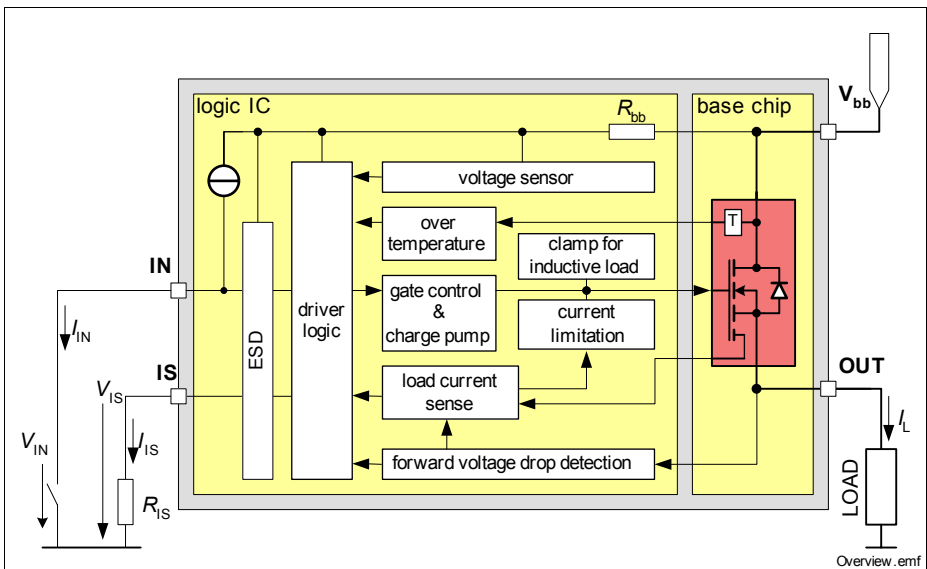


Figure 1 Block Diagram

## 1.2 Terms

Following figure shows all terms used in this data sheet.

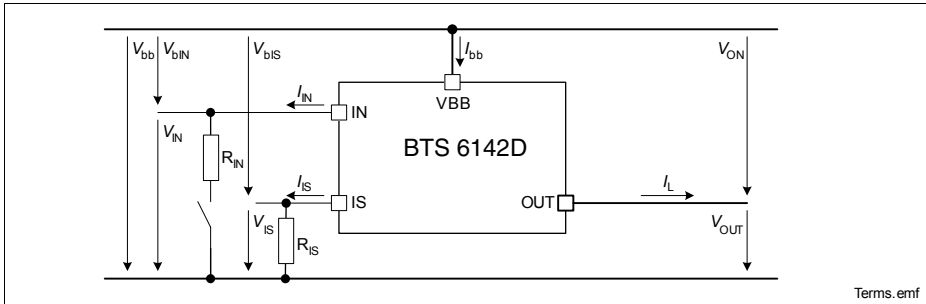
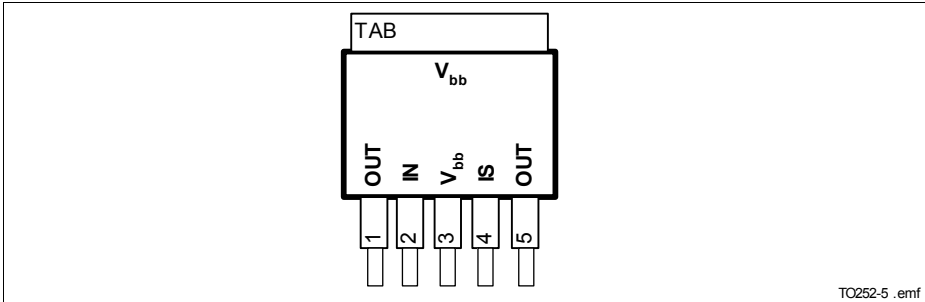


Figure 2 Terms

## 2 Pin Configuration

### 2.1 Pin Assignment BTS 6142D



TO252-5 .emf

Figure 3 Pin Configuration PG-TO252-5-11

### 2.2 Pin Definitions and Functions

Pin	Symbol	I/O	Function
1	OUT	O	<b>Output;</b> output to the load; pin 1 and 5 must be externally shorted. <sup>1)</sup>
2	IN	I	<b>Input;</b> activates the power switch if shorted to ground.
3, Tab	V <sub>bb</sub>	-	<b>Supply Voltage;</b> positive power supply voltage; tab and pin 3 are internally shorted.
4	IS	O	<b>Sense Output;</b> Diagnostic feedback; provides at normal operation a sense current proportional to the load current; in case of overload, over temperature and/or short circuit a defined current is provided (see <a href="#">Table 1 "Truth Table" on Page 23</a> ).
5	OUT	O	<b>Output;</b> output to the load; pin 1 and 5 must be externally shorted. <sup>1)</sup>

<sup>1)</sup> Not shorting all outputs will considerably increase the on-state resistance, reduce the peak current capability, the clamping capability and decrease the current sense accuracy.

### 3 Electrical Characteristics

#### 3.1 Maximum Ratings

Stresses above the ones listed here may cause permanent damage to the device. Exposure to maximum rating conditions for extended periods may affect device reliability.

$T_j = 25\text{ °C}$  (unless otherwise specified)

Pos.	Parameter	Symbol	Limit Values		Unit	Test Conditions
			min.	max.		

#### Supply Voltage

3.1.1	Supply voltage	$V_{bb}$	-16	38	V	-
3.1.2	Supply voltage for full short circuit protection (single pulse) ( $T_j = -40\text{ °C} \dots 150\text{ °C}$ ) <sup>1)</sup>	$V_{bb(SC)}$	0	24	V	-
3.1.3	Supply Voltage for Load Dump protection <sup>2)</sup>	$V_{bb(LD)}$	-	45	V	$R_l = 2\ \Omega$ $R_L = 1.5\ \Omega$

#### Logic Pins

3.1.4	Voltage at input pin	$V_{b,IN}$	-16	63	V	-
3.1.5	Current through input pin	$I_{IN}$	-140	15	mA	-
3.1.6	Voltage at current sense pin	$V_{b,IS}$	-16	56	V	-
3.1.7	Current through sense pin	$I_{IS}$	-140	15	mA	-
3.1.8	Input voltage slew rate <sup>3)</sup>	$dV_{bIN}/dt$	-20	20	V/ $\mu$ s	-

#### Power Stages

3.1.9	Load current <sup>4)</sup>	$I_L$	-	$I_{LX(SC)}$	A	-
3.1.10	Maximum energy dissipation per channel (single pulse)	$E_{AS}$	-	0.25	J	$I_{L(0)} = 20\text{ A}$ $T_{j(0)} = 150\text{ °C}$
3.1.11	Total power dissipation (DC) for whole device	$P_{tot}$	-	50	W	$T_C = 85\text{ °C}$ $T_j \leq 150\text{ °C}$

#### Temperatures

3.1.12	Junction temperature	$T_j$	-40	150	°C	-
3.1.13	Storage temperature	$T_{stg}$	-55	150	°C	-



Electrical Characteristics

$T_j = 25\text{ °C}$  (unless otherwise specified)

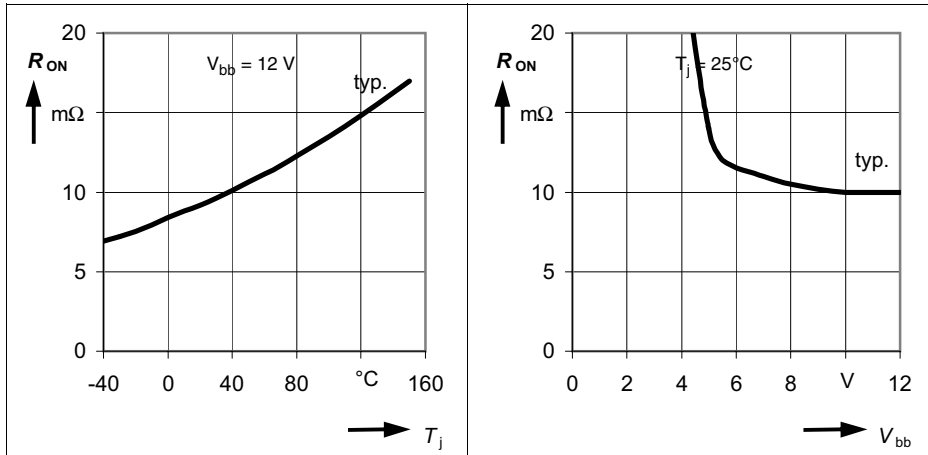
Pos.	Parameter	Symbol	Limit Values		Unit	Test Conditions
			min.	max.		
<b>ESD Susceptibility</b>						
3.1.14	ESD susceptibility HBM	$V_{ESD}$	-3	3	kV	according to EIA/JESD 22-A 114B

- 1) Short circuit is defined as a combination of remaining resistances and inductances. See [Figure 13](#).
- 2) Load Dump is specified in ISO 7637,  $R_I$  is the internal resistance of the Load Dump pulse generator
- 3) Slew rate limitation can be achieved by means of using a series resistor for the small signal driver or in series in the input path. A series resistor  $R_{IN}$  in the input path is also required for reverse operation at  $V_{bb} \leq -16V$ . See also [Figure 14](#).
- 4) Current limitation is a protection feature. Operation in current limitation is considered as "outside" normal operating range. Protection features are not designed for continuous repetitive operation.



### 4.1.2 Output On-State Resistance

The on-state resistance  $R_{DS(ON)}$  depends on the supply voltage as well as the junction temperature  $T_j$ . **Figure 6** shows these dependencies for the typical on-state resistance. The on-state resistance in reverse polarity mode is described in **Section 4.2.3**.



**Figure 6** Typical On-State Resistance

At small load currents the resistance is artificially increased to improve current sense accuracy. Therefore the forward voltage drop  $V_{ON}$  at small load currents is no more proportional to the load current  $I_L$ , but is controlled by an internal “two level controller” to remain clamped to a defined value  $V_{ON(NL)}$ . **Figure 7** shows the dependency for a typical device.

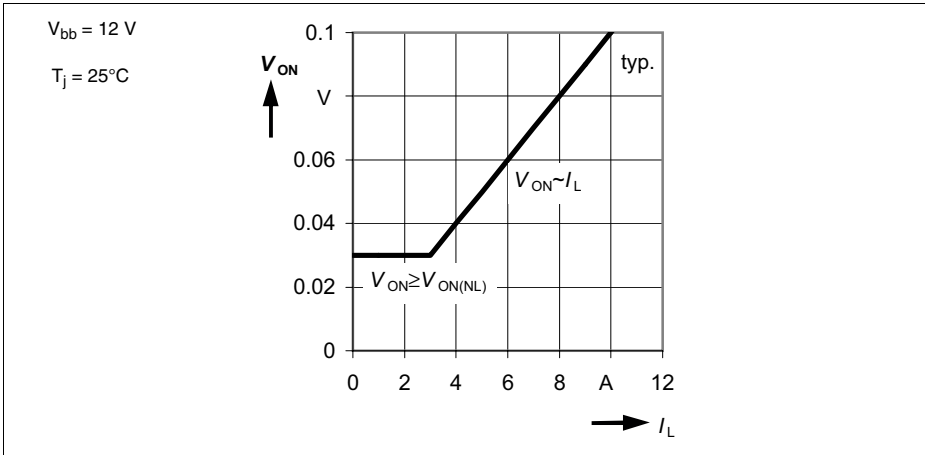


Figure 7 Typical Output Voltage Drop Limitation

#### 4.1.3 Output Inductive Clamp

When switching off inductive loads, the output voltage  $V_{OUT}$  drops below ground potential due to the involved inductance ( $-di_L/dt = -v_L/L$ ;  $-V_{OUT} \approx -V_L$ ).

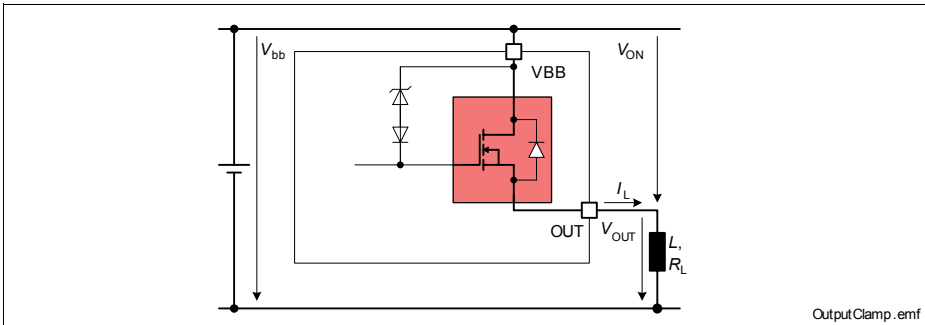
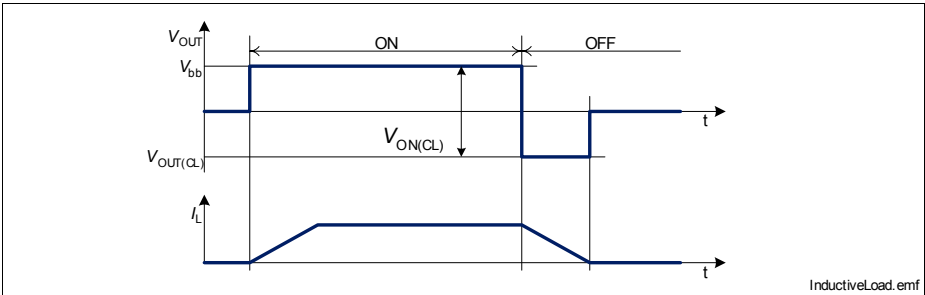


Figure 8 Output Clamp

To prevent destruction of the device, there is a voltage clamp mechanism implemented that keeps the voltage drop across the device at a certain level ( $V_{ON(CL)}$ ). See [Figure 8](#) and [Figure 9](#) for details. The maximum allowed load inductance is limited.



**Figure 9 Switching an Inductance**

### Maximum Load Inductance

While de-energizing inductive loads, energy has to be dissipated in the BTS 6142D. This energy can be calculated via the following equation:

$$E = V_{ON(CL)} \cdot \left[ \frac{V_{bb} - |V_{ON(CL)}|}{R_L} \cdot \ln \left( 1 + \frac{R_L \cdot I_L}{|V_{ON(CL)}| - V_{bb}} \right) + I_L \right] \cdot \frac{L}{R_L}$$

In the event of de-energizing very low ohmic inductances ( $R_L \approx 0$ ) the following, simplified equation can be used:

$$E = \frac{1}{2} L I_L^2 \cdot \frac{|V_{ON(CL)}|}{|V_{ON(CL)}| - V_{bb}}$$

The energy, which is converted into heat, is limited by the thermal design of the component. For given starting currents the maximum allowed inductance is therefore limited. See **Figure 10** for the maximum allowed inductance at  $V_{bb}=12V$ .

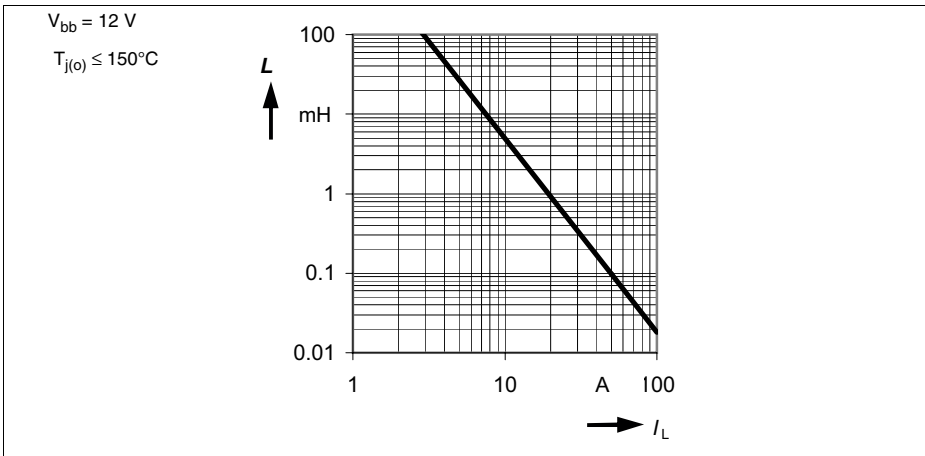


Figure 10 Maximum load inductance for single pulse,  $T_{j,Start} = 150^\circ\text{C}$

**4.1.4 Electrical Characteristics**
 $V_{bb} = 12\text{ V}$ ,  $T_j = 25\text{ °C}$  (unless otherwise specified)

Pos.	Parameter	Symbol	Limit Values			Unit	Test Conditions
			min.	typ.	max.		

**General**

4.1.1	Operating voltage	$V_{bb}$	5.5	-	38	V	$V_{IN} = 0\text{ V}$ $T_j = -40..150\text{ °C}$
4.1.2	Undervoltage shutdown <sup>1)</sup>	$V_{bIN(u)}$	-	2.5	3.5	V	-
4.1.3	Undervoltage restart of charge pump	$V_{bb(ucp)}$	-	4	5.5	V	-
4.1.4	Operating current	$I_{IN}$	-	1.4	2.2	mA	$T_j = -40..150\text{ °C}$
4.1.5	Stand-by current $T_j = -40\text{ °C}$ , $T_j = 25\text{ °C}$ $T_j \leq 120\text{ °C}$ <sup>1)</sup> $T_j = 150\text{ °C}$	$I_{bb(OFF)}$	-	3	6	$\mu\text{A}$	$I_{IN} = 0\text{ A}$
			-	3	6		
			-	9	16		

**Input characteristics**

4.1.6	Input current for turn-on	$I_{IN(on)}$	-	1.4	2.2	mA	$V_{bIN} \geq V_{bb(ucp)} - V_{IN}$ , $T_j = -40 \dots 150\text{ °C}$
4.1.7	Input current for turn-off	$I_{IN(off)}$	-	-	30	$\mu\text{A}$	$T_j = -40 \dots 150\text{ °C}$

**Output characteristics**

4.1.8	On-state resistance $T_j = 25\text{ °C}$ $T_j = 150\text{ °C}$ $V_{bb} = 5.5\text{ V}$ , $T_j = 25\text{ °C}$ $V_{bb} = 5.5\text{ V}$ , $T_j = 150\text{ °C}$	$R_{DS(ON)}$	-	10	12	m $\Omega$	$V_{IN} = 0\text{ V}$ , $I_L = 7.5\text{ A}$ , (Tab to pin 1 and 5)
			-	17	22		
			-	12	17		
			-	22	29		
4.1.9	Output voltage drop limitation at small load currents	$V_{ON(NL)}$	-	30	65	mV	$T_j = -40..150\text{ °C}$
4.1.10	Nominal load current (Tab to pin1 & 5) <sup>2) 3)</sup>	$I_{L(nom)}$	7	8.5	-	A	$T_a = 85\text{ °C}$ $V_{ON} \leq 0.5\text{ V}$ , $T_j \leq 150\text{ °C}$
	ISO load current (Tab to pin 1 & 5) <sup>3)</sup>	$I_{L(ISO)}$	27	33	-	A	$T_c = 85\text{ °C}$ $V_{ON} \leq 0.5\text{ V}$ , $T_j \leq 150\text{ °C}$

$V_{bb} = 12\text{ V}$ ,  $T_j = 25\text{ °C}$  (unless otherwise specified)

Pos.	Parameter	Symbol	Limit Values			Unit	Test Conditions
			min.	typ.	max.		
4.1.11	Output clamp	$V_{ON(CL)}$	39	42	-	V	$I_L = 40\text{ mA}$
4.1.12	Inverse current output voltage drop <sup>1) 4)</sup> (Tab to pin 1 and 5) $T_j = 25\text{ °C}$ $T_j = 150\text{ °C}$	$-V_{ON(inv)}$	-	800	-	mV	$I_L = -7.5\text{ A}$ , $R_{IS} = 1\text{ k}\Omega$
			-	600	-		

**Timings**

4.1.13	Turn-on time to 90% $V_{bb}$	$t_{ON}$	-	250	600	$\mu\text{s}$	$R_L = 2.2\ \Omega$ , $T_j = -40 \dots 150\text{ °C}$
4.1.14	Turn-off time to 10% $V_{bb}$	$t_{OFF}$	-	250	600	$\mu\text{s}$	$R_L = 2.2\ \Omega$ , $T_j = -40 \dots 150\text{ °C}$
4.1.15	Turn-on delay after inverse operation <sup>1)</sup> $V_{IN(inv)} = V_{IN(fwd)} = 0\text{ V}$	$t_{d(inv)}$	-	1	-	ms	$V_{bb} > V_{OUT}$
4.1.16	Slew rate On 25% to 50% $V_{bb}$	$dV/dt_{ON}$	-	0.3	0.7	V/ $\mu\text{s}$	$R_L = 2.2\ \Omega$ , $T_j = -40 \dots 150\text{ °C}$
4.1.17	Slew rate Off 50% to 25% $V_{bb}$	$-dV/dt_{OFF}$	-	0.3	0.7	V/ $\mu\text{s}$	$R_L = 2.2\ \Omega$ , $T_j = -40 \dots 150\text{ °C}$

**Thermal Resistance**

4.1.18	Junction to case <sup>1)</sup>	$R_{thjc}$	-	-	1.3	K/W	-
4.1.19	Junction to ambient <sup>1)</sup> free air device on PCB <sup>2)</sup>	$R_{thja}$	-	80	-	K/W	-
			-	45	55		

<sup>1)</sup> Not subject to production test, specified by design

<sup>2)</sup> Device mounted on PCB (50 mm x 50 mm x 1.5mm epoxy, FR4) with 6 cm<sup>2</sup> copper heatsinking area (one layer, 70  $\mu\text{m}$  thick) for  $V_{bb}$  connection. PCB is vertical without blown air.

<sup>3)</sup> Not subject to production test, parameters are calculated from  $R_{DS(ON)}$  and  $R_{th}$ 
<sup>4)</sup> Permanent Inverse operation results eventually in a current flow via the intrinsic diode of the power DMOS. In this case the device switches on with a time delay  $t_{d(inv)}$  after the transition from inverse to forward mode. A sense current  $I_{S(fault)}$  can be provided by the pin IS until standard forward operation is reached.

*Note: Characteristics show the deviation of parameter at the given supply voltage and junction temperature. Typical values show the typical parameters expected from manufacturing.*

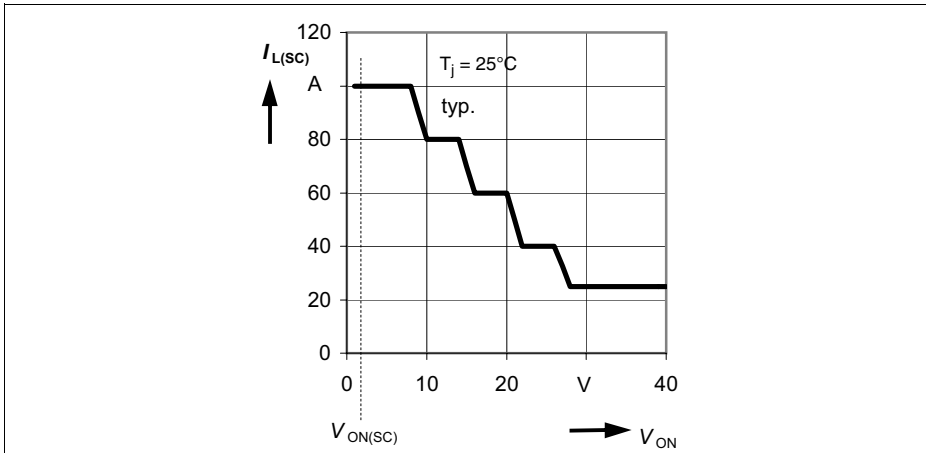


## 4.2 Protection Functions

The device provides embedded protective functions. Integrated protection functions are designed to prevent IC destruction under fault conditions described in the data sheet. Fault conditions are considered as “outside” normal operating range. Protection functions are neither designed for continuous nor repetitive operation.

### 4.2.1 Over-Load Protection

The load current  $I_L$  is limited by the device itself in case of over-load or short circuit to ground. There are multiple steps of current limitation  $I_{LX(SC)}$  which are selected automatically depending on the voltage drop  $V_{ON}$  across the power DMOS. Please note that the voltage at the OUT pin is  $V_{bb} - V_{ON}$ . **Figure 11** shows the dependency for a typical device.



**Figure 11 Typical Current Limitation**

Depending on the severity of the short condition as well as on the battery voltage the resulting voltage drop across the device varies.

Whenever the resulting voltage drop  $V_{ON}$  exceeds the short circuit detection threshold  $V_{ON(SC)}$ , the device will switch off immediately and latch until being reset via the input. The  $V_{ON(SC)}$  detection functionality is activated, when  $V_{bIN} > 10V$  typ. and the blanking time  $t_{d(SC1)}$  expired after switch on.

In the event that either the short circuit detection via  $V_{ON(SC)}$  is not activated or that the on chip temperature sensor senses over-temperature before the blanking time  $t_{d(SC1)}$  expired, the device switches off resulting from over-temperature detection. After cooling down with thermal hysteresis, the devices switches on again. Please refer to **Figure 12** for details.

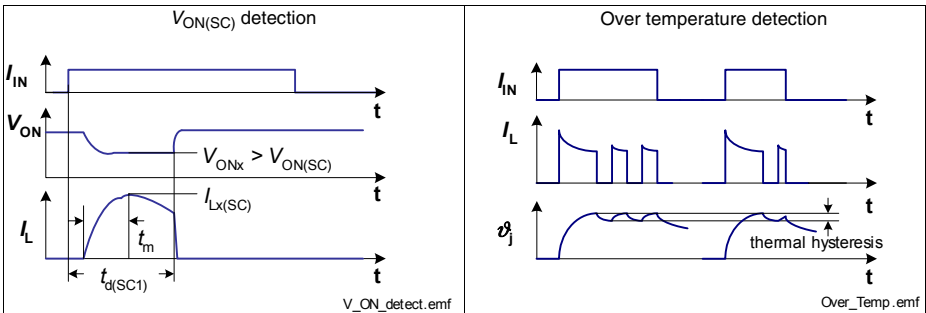


Figure 12 Overload Behavior

#### 4.2.2 Short circuit impedance

The capability to handle single short circuit events depends on the battery voltage as well as on the primary and secondary short impedance. **Figure 13** outlines allowable combinations for a single short circuit event of maximum, secondary inductance for given secondary resistance.

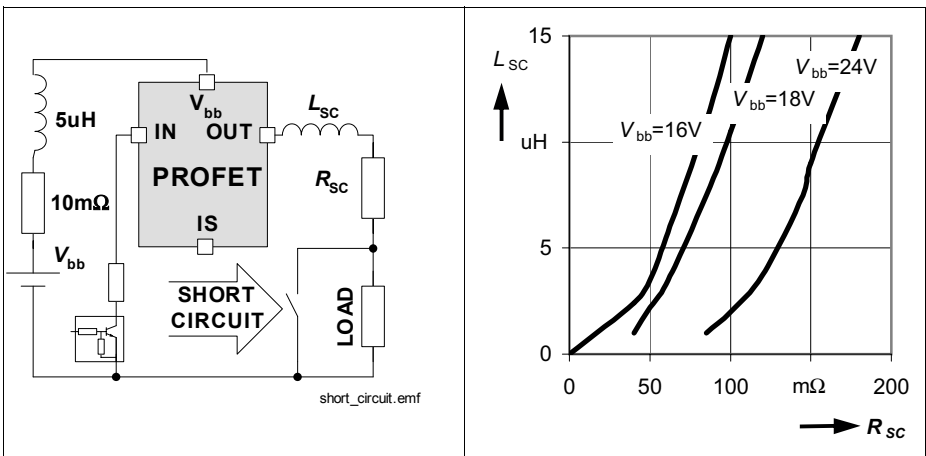
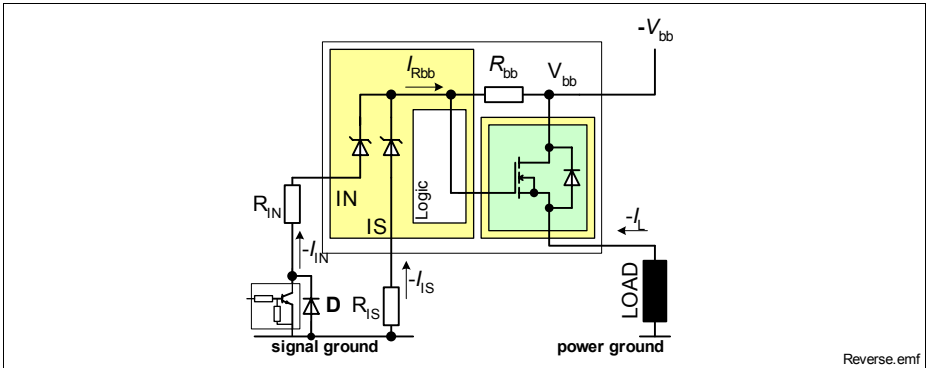


Figure 13 Short circuit

#### 4.2.3 Reverse Polarity Protection - Reversave™

The device can not block a current flow in reverse battery condition. In order to minimize power dissipation, the device offers Reversave™ functionality. In reverse polarity condition the channel will be switched on provided a sufficient gate to source voltage is generated  $V_{GS} \approx V_{Rbb}$ . Please refer to **Figure 14** for details.



**Figure 14 Reverse battery protection**

Additional power is dissipated by the integrated  $R_{bb}$  resistor. Use following formula for estimation of overall power dissipation  $P_{diss(rev)}$  in reverse polarity mode.

$$P_{diss(rev)} \approx R_{ON(rev)} \cdot I_L^2 + R_{bb} \cdot I_{Rbb}^2$$

For reverse battery voltages up to  $V_{bb} < 16V$  the pin IN or the pin IS should be low ohmic connected to signal ground. This can be achieved e.g. by using a small signal diode D in parallel to the input switch or by using a small signal MOSFET driver. For reverse battery voltages higher then  $V_{bb} > 16V$  an additional resistor  $R_{IN}$  is recommended. For reverse battery voltages higher then  $V_{bb} > 16$  the overall current through  $R_{bb}$  should be about 80mA.

$$\frac{1}{R_{IN}} + \frac{1}{R_{IS}} = \frac{0,08A}{|V_{bb}| - 12V}$$

*Note: No protection mechanism is active during reverse polarity. The IC logic is not functional.*

#### 4.2.4 Over-Voltage Protection

Beside the output clamp for the power stage as described in [Section 4.1.3](#) there is a clamp mechanism implemented for all logic pins. See [Figure 15](#) for details.

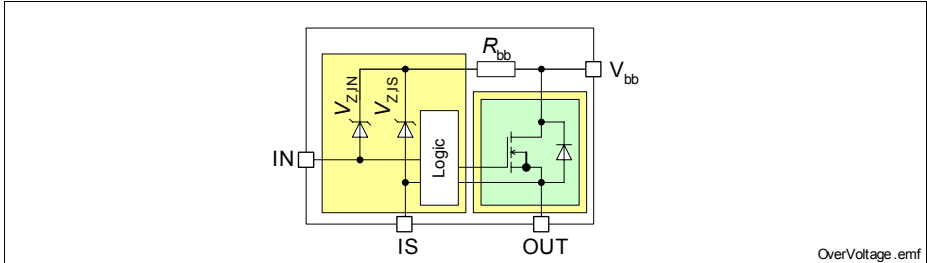


Figure 15 Over-Voltage Protection

#### 4.2.5 Loss of Ground Protection

In case of complete loss of the device ground connections the BTS 6142D securely changes to or remains in off state.

#### 4.2.6 Loss of $V_{bb}$ Protection

In case of complete loss of  $V_{bb}$  the BTS 6142D remains in off state.

In case of loss of  $V_{bb}$  connection with charged inductive loads a current path with load current capability has to be provided, to demagnetize the charged inductances. It is recommended to use a diode, a Z-diode, or a varistor ( $V_{ZL} + V_D < 39\text{ V}$  or  $V_{Zb} + V_D < 16\text{ V}$  if  $R_{IN} = 0$ ). For higher clamp voltages currents through IN and IS have to be limited to 120 mA. Please refer to [Figure 16](#) for details.

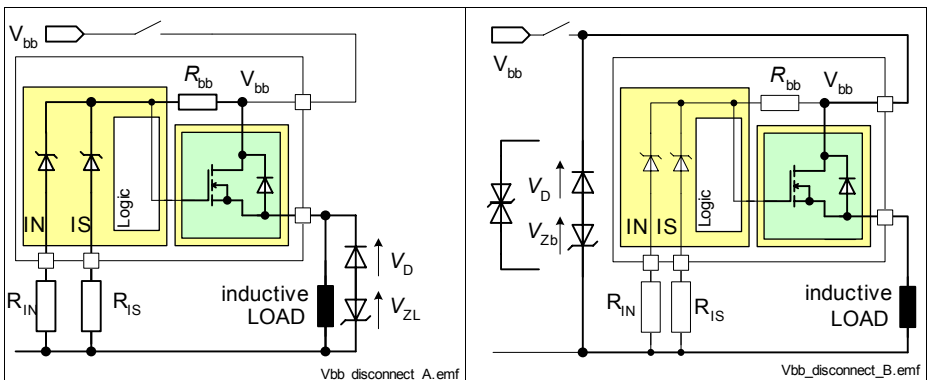


Figure 16 Loss of  $V_{bb}$

#### 4.2.7 Electrical Characteristics

 $V_{bb} = 12\text{ V}$ ,  $T_j = +25\text{ °C}$  (unless otherwise specified)

Pos.	Parameter	Symbol	Limit Values			Unit	Test Conditions
			min.	typ.	max.		

##### Over-Load Protection

4.2.1	Load current limitation <sup>1) 2)</sup> $T_j = -40\text{ °C}$ $T_j = +25\text{ °C}$ $T_j = +150\text{ °C}$	$I_{L6(SC)}$	- - 50	110 100 75	160 - -	A	$V_{ON} = 6\text{ V}$ , (Tab to pin 1 and 5)
4.2.2	Load current limitation <sup>2)</sup> $T_j = -40\text{ °C}$ $T_j = +25\text{ °C}$ $T_j = +150\text{ °C}$	$I_{L12(SC)}$	- - 45	90 80 70	120 - -	A	$V_{ON} = 12\text{ V}$ , $t_m = 170\text{ }\mu\text{s}$ , (Tab to pin 1 and 5)
4.2.3	Load current limitation <sup>1) 2)</sup> $T_j = -40\text{ °C}$ $T_j = +25\text{ °C}$ $T_j = +150\text{ °C}$	$I_{L18(SC)}$	- - 30	60 60 50	90 - -	A	$V_{ON} = 18\text{ V}$ , (Tab to pin 1 and 5)
4.2.4	Load current limitation <sup>2)</sup> $T_j = -40\text{ °C}$ $T_j = +25\text{ °C}$ $T_j = +150\text{ °C}$	$I_{L24(SC)}$	- - -	40 40 35	- - -	A	$V_{ON} = 24\text{ V}$ , $t_m = 170\text{ }\mu\text{s}$ , (Tab to pin 1 and 5)
4.2.5	Load current limitation <sup>1) 2)</sup> $T_j = -40\text{ °C}$ $T_j = +25\text{ °C}$ $T_j = +150\text{ °C}$	$I_{L30(SC)}$	- - -	25 25 25	- - -	A	$V_{ON} = 30\text{ V}$ , (Tab to pin 1 and 5)
4.2.6	Short circuit shutdown detection voltage <sup>1)</sup>	$V_{ON(SC)}$	2.5	3.5	4.5	V	$V_{bIN} > 10\text{ V typ.}$
4.2.7	Short circuit shutdown delay after input current pos. slope <sup>3)</sup>	$t_{d(SC1)}$	200	650	1200	$\mu\text{s}$	$V_{ON} > V_{ON(SC)}$ , $T_j = -40 \dots 150\text{ °C}$
4.2.8	Thermal shut down temperature	$T_{j(SC)}$	150	165 <sup>1)</sup>	-	$^{\circ}\text{C}$	-
4.2.9	Thermal hysteresis <sup>1)</sup>	$\Delta T_j$	-	10	-	K	-

Protection Functions

$V_{bb} = 12\text{ V}$ ,  $T_j = +25\text{ °C}$  (unless otherwise specified)

Pos.	Parameter	Symbol	Limit Values			Unit	Test Conditions
			min.	typ.	max.		

**Reverse Battery**

4.2.10	On-State resistance in case of reverse polarity $V_{bb}=-8\text{V}$ , $T_j=25\text{°C}$ <sup>1)</sup> $V_{bb}=-8\text{V}$ , $T_j=150\text{°C}$ <sup>1)</sup> $V_{bb}=-12\text{V}$ , $T_j=25\text{°C}$ $V_{bb}=-12\text{V}$ , $T_j=150\text{°C}$	$R_{ON(\text{rev})}$				mΩ	$V_{IN} = 0$ , $I_L = -7.5\text{A}$ , $R_{IS} = 1\text{ k}\Omega$ , (pin 1 and 5 to TAB)
			-	12	16		
			-	20	27		
			-	12	15		
			-	18	24		
4.2.11	Integrated resistor in $V_{bb}$ line	$R_{bb}$	-	100	150	Ω	-

**Over-Voltage**

4.2.12	Over-voltage protection	$V_Z$				V	$I_{bb} = 15\text{ mA}$ , $T_j = -40 \dots 150\text{ °C}$
	Input pin	$V_{Z,IN}$	63	67	-		
	Sense pin	$V_{Z,IS}$	56	61	-		

<sup>1)</sup> Not subject to production test, specified by design

<sup>2)</sup> Short circuit current limit for max. duration of  $t_{d(\text{SC}1)}$ , prior to shutdown, see also [Figure 12](#).

<sup>3)</sup> min. value valid only if input "off-signal" time exceeds 30 μs

### 4.3 Diagnosis

For diagnosis purpose, the BTS 6142D provides an IntelliSense signal at the pin IS.

The pin IS provides during normal operation a sense current, which is proportional to the load current as long as  $V_{b,IS} > 5V$ . The ratio of the output current is defined as  $k_{ILIS} = I_L / I_{IS}$ . During switch-on no current is provided, until the forward voltage drops below  $V_{ON} < 1V$  typ. The output sense current is limited to  $I_{IS,lim}$ .

The pin IS provides in case of any fault conditions a defined fault current  $I_{IS(fault)}$ . Fault conditions are over-current ( $V_{ON} > 1V$  typ.), current limit or over-temperature switch off.

The pin IS provides no current during open load in ON, de-energisation of inductive loads and inverse current mode.

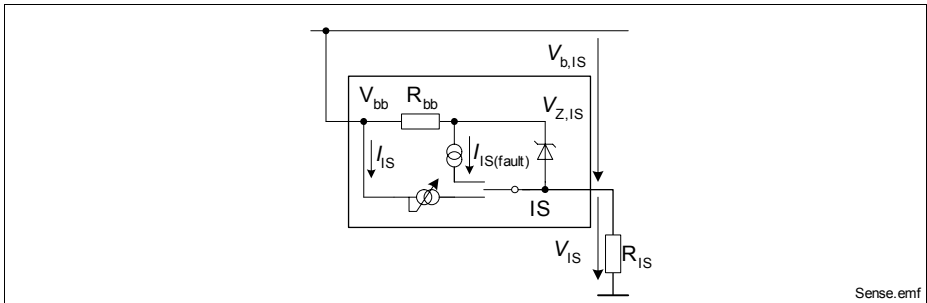


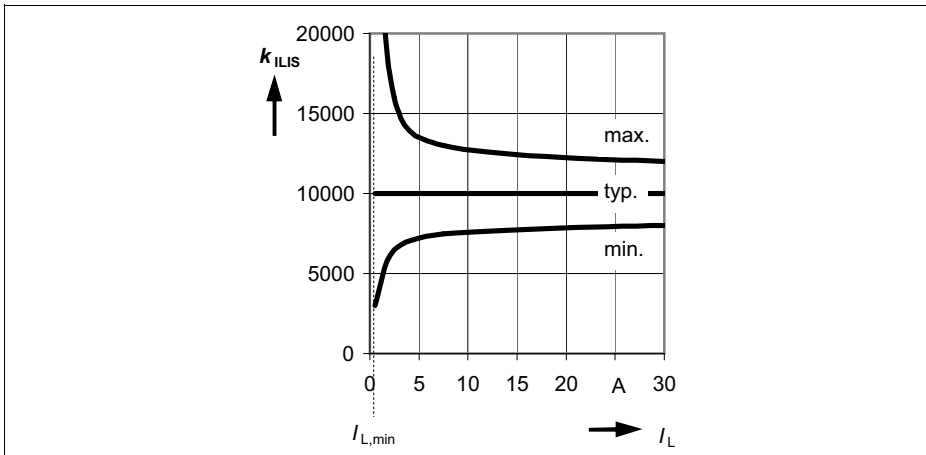
Figure 17 Block Diagram: Diagnosis

Table 1 Truth Table

Parameter	Input Current Level	Output Level	Current Sense $I_{IS}$
Normal operation	L <sup>1)</sup> H <sup>1)</sup>	L H	$\approx 0$ ( $I_{IS(LL)}$ ) nominal
Overload	L H	L H	$\approx 0$ ( $I_{IS(LL)}$ ) $I_{IS,fault}$
Short circuit to GND	L H	L L	$\approx 0$ ( $I_{IS(LL)}$ ) $I_{IS,fault}$
Overtemperature	L H	L L	$\approx 0$ ( $I_{IS(LL)}$ ) $I_{IS,fault}$
Short circuit to $V_{bb}$	L H	H H	$\approx 0$ ( $I_{IS(LL)}$ ) < nominal <sup>2)</sup>
Open load	L H	Z <sup>1)</sup> H	$\approx 0$ ( $I_{IS(LL)}$ ) $\approx 0$ ( $I_{IS(LH)}$ )

- 1) H = "High" Level, L = "Low" Level, Z = high impedance, potential depends on external circuit
- 2) Low ohmic short to  $V_{bb}$  may reduce the output current  $I_L$  and therefore also the sense current  $I_{IS}$ .

The accuracy of the provided current sense ratio ( $k_{ILIS} = I_L / I_{IS}$ ) depends on the load current. Please refer to **Figure 18** for details. A typical resistor  $R_{IS}$  of 1 k $\Omega$  is recommended.



**Figure 18** Current sense ratio  $k_{ILIS}$ <sup>1)</sup>

Details about timings between the diagnosis signal  $I_{IS}$ , the forward voltage drop  $V_{ON}$  and the load current  $I_L$  in ON-state can be found in **Figure 19**.

*Note: During operation at low load current and at activated forward voltage drop limitation the "two level control" of  $V_{ON(NL)}$  can cause a sense current ripple synchronous to the "two level control" of  $V_{ON(NL)}$ . The ripple frequency increases at reduced load currents.*

<sup>1)</sup> The curves show the behavior based on characterization data. The marked points are guaranteed in this Data Sheet in **Section 4.3.1** (Position **4.3.1**).



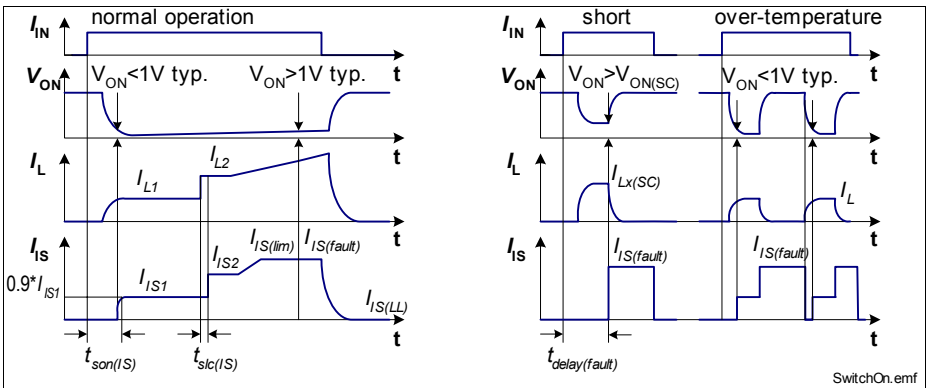


Figure 19 Timing of Diagnosis Signal in ON-state

### 4.3.1 Electrical Characteristics

 $V_{bb} = 12\text{ V}$ ,  $T_j = 25\text{ °C}$  (unless otherwise specified)

Pos.	Parameter	Symbol	Limit Values			Unit	Test Conditions
			min.	typ.	max.		

#### Load Current Sense

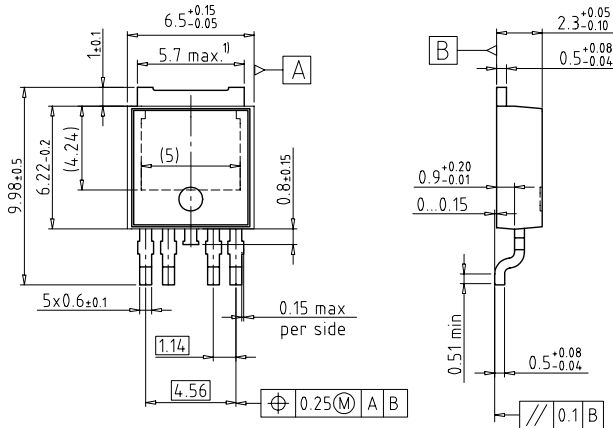
4.3.1	Current sense ratio, static on-condition  $I_L=30\text{A}$ $I_L=7.5\text{A}$ $I_L=2.5\text{A}$ $I_L=0.5\text{A}$  $I_{IN} = 0$ (e.g. during de energizing of inductive loads) <sup>1)</sup>	$k_{ILIS}$	-	10	-	k	$V_{IN} = 0\text{ V}$ , $I_{IS} < I_{IS,lim}$ $T_j = -40..150\text{ °C}$
			8	10	12		
			7.5	10	13		
			6.5	10	16		
			3	10	30		
			disabled			-	-
4.3.2	Sense saturation current <sup>1)</sup>	$I_{IS(lim)}$	2.5	6	10	mA	$V_{ON} < 1\text{ V}$ , typ. $T_j = -40 \dots 150\text{ °C}$
4.3.3	Sense current under fault conditions	$I_{IS(fault)}$	2.5	6	10	mA	$V_{ON} > 1\text{ V}$ , typ. $T_j = -40 \dots 150\text{ °C}$
4.3.4	Current sense leakage current	$I_{IS(LL)}$	-	0.1	0.5	$\mu\text{A}$	$I_{IN} = 0$
4.3.5	Current sense offset current	$I_{IS(LH)}$	-	0.1	1	$\mu\text{A}$	$V_{IN} = 0$ , $I_L \leq 0$
4.3.6	Minimum load current for sense functionality	$I_{L(MIN)}$	0.5	-	-	A	$V_{IN} = 0$ , $T_j = -40 \dots 150\text{ °C}$
4.3.7	Current sense settling time to 90% $I_{S\_stat}$ <sup>1)</sup>	$t_{son(IS)}$	-	350	700	$\mu\text{s}$	$I_L = 0 \text{ } \square \text{ } 20\text{ A}$ $T_j = -40 \dots 150\text{ °C}$
4.3.8	Current sense settling time to 90% $I_{S\_stat}$ <sup>1)</sup>	$t_{slc(IS)}$	-	50	100	$\mu\text{s}$	$I_L = 10 \text{ } \square \text{ } 20\text{ A}$ $T_j = -40 \dots 150\text{ °C}$
4.3.9	Fault-Sense signal delay after input current positive slope	$t_{delay(fault)}$	200	650	1200	$\mu\text{s}$	$V_{ON} > 1\text{ V}$ , typ. $T_j = -40 \dots 150\text{ °C}$

<sup>1)</sup> Not subject to production test, specified by design

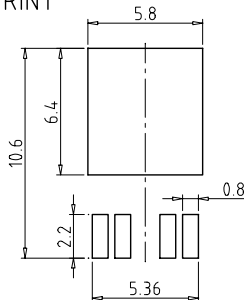
## 5 Package Outlines BTS 6142D

### PG-T0252-5-11

(Plastic Dual Small Outline Package)



### FOOTPRINT



1) Includes mold flashes on each side.  
all metal surfaces tin plated,  
except area of cut.

### Green Product (RoHS compliant)

To meet the world-wide customer requirements for environmentally friendly products and to be compliant with government regulations the device is available as a green product. Green products are RoHS-Compliant (i.e Pb-free finish on leads and suitable for Pb-free soldering according to IPC/JEDEC J-STD-020).

You can find all of our packages, sorts of packing and others in our Infineon Internet Page "Products": <http://www.infineon.com/products>.

SMD = Surface Mounted Device

Dimensions in mm

## 6 Revision History

Version	Date	Changes
V1.1	07-02-28	RoHS compliant version of BTS 6142D
		changed IFX logo
		page 3: Ordering code removed
		page 3: "AEC qualified" and "RoHS" logos added
		page 3, page 27: "AEC Stress Test Qualification" and "Green Product (RoHS compliant)" added to feature list
		page 3, page 27: Change to RoHS compliant package PG-TQ252-5-11
		Legal disclaimer updated
V1.0	05-10-25	initial version of Final Data Sheet

**Edition 2007-02-28**

**Published by  
Infineon Technologies AG,  
81726 Munich, Germany**

**© Infineon Technologies AG 3/1/07.  
All Rights Reserved.**

#### **Legal Disclaimer**

The information given in this document shall in no event be regarded as a guarantee of conditions or characteristics ("Beschaffenheitsgarantie"). With respect to any examples or hints given herein, any typical values stated herein and/or any information regarding the application of the device, Infineon Technologies hereby disclaims any and all warranties and liabilities of any kind, including without limitation warranties of non-infringement of intellectual property rights of any third party.

#### **Information**

For further information on technology, delivery terms and conditions and prices please contact your nearest Infineon Technologies Office ([www.infineon.com](http://www.infineon.com)).

#### **Warnings**

Due to technical requirements components may contain dangerous substances. For information on the types in question please contact your nearest Infineon Technologies Office.

Infineon Technologies Components may only be used in life-support devices or systems with the express written approval of Infineon Technologies, if a failure of such components can reasonably be expected to cause the failure of that life-support device or system, or to affect the safety or effectiveness of that device or system. Life support devices or systems are intended to be implanted in the human body, or to support and/or maintain and sustain and/or protect human life. If they fail, it is reasonable to assume that the health of the user or other persons may be endangered.

<http://www.infineon.com>

Published by Infineon Technologies AG