

TRIACS

A range of glass-passivated triacs in plastic envelopes with push-on connectors. They are intended for use in industrial a.c. power control applications such as motor and heating controls, and switching systems.

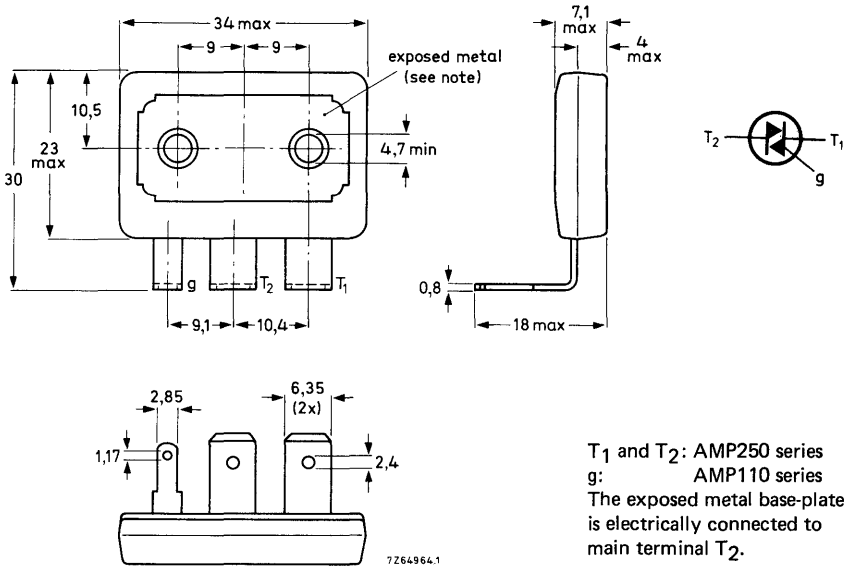
QUICK REFERENCE DATA

		BTW41-500G	600G	800G
Repetitive peak off-state voltage	V_{DRM}	max. 500	600	800 V
R.M.S. on-state current	$I_T(RMS)$	max. 40	40	A
Non-repetitive peak on-state current	I_{TSM}	max. 260	260	A
Rate of rise of commutating voltage that will not trigger any device	dV_{com}/dt	<	5	V/ μs

MECHANICAL DATA

Dimensions in mm

Fig.1 SOT-80



Recommended diameter of fixing screws: 4 mm

Net mass: 15 g
 Torque on fixing screws:
 min. 0,8 Nm (8 kg cm)
 max. 1,5 Nm (15 kg cm)