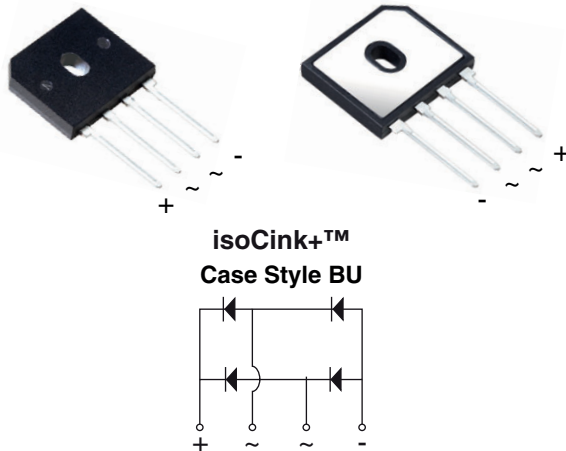


Enhanced isoCink+™ Bridge Rectifiers



FEATURES

- UL recognition file number E312394
- Thin single in-line package
- Glass passivated chip junction
- Available for BU-5S lead forming option (part number with "5S" suffix, e.g. BU20065S)
- Superior thermal conductivity
- Solder dip 275 °C max. 10 s, per JESD 22-B106
- Material categorization: for definitions of compliance please see www.vishay.com/doc?999912



RoHS
COMPLIANT
HALOGEN
FREE
Available

TYPICAL APPLICATIONS

General purpose use in AC/DC bridge full wave rectification for switching power supply, home appliances and white-goods applications.

MECHANICAL DATA

Case: BU

Molding compound meets UL 94 V-0 flammability rating
Base P/N-E3 - RoHS-compliant, commercial grade
Base P/N-M3 - halogen-free, RoHS-compliant, and commercial grade

Terminals: matte tin plated leads, solderable per J-STD-002 and JESD 22-B102
E3 and M3 suffix meet JESD 201 class 1A whisker test

Polarity: as marked on body

Mounting Torque: 10 cm-kg (8.8 inches-lbs) max.

Recommended Torque: 5.7 cm-kg (5 inches-lbs)

| PRIMARY CHARACTERISTICS | |
|-------------------------|----------------------|
| Package | BU |
| $I_{F(AV)}$ | 20 A |
| V_{RRM} | 600 V, 800 V, 1000 V |
| I_{FSM} | 240 A |
| I_R | 5 μ A |
| V_F at $I_F = 10$ A | 0.85 V |
| T_J max. | 150 °C |
| Circuit configuration | In-line |

| MAXIMUM RATINGS ($T_A = 25$ °C unless otherwise noted) | | | | | |
|---|----------------|------------------------------|--------|--------|------------------|
| PARAMETER | SYMBOL | BU2006 | BU2008 | BU2010 | UNIT |
| Maximum repetitive peak reverse voltage | V_{RRM} | 600 | 800 | 1000 | V |
| Average rectified forward current (Fig. 1, 2) | I_O | $T_C = 61$ °C ⁽¹⁾ | | 20 | A |
| | | $T_A = 25$ °C ⁽²⁾ | | 3.5 | |
| Non-repetitive peak forward surge current 8.3 ms single sine-wave, $T_J = 25$ °C | I_{FSM} | 240 | | | A |
| Rating for fusing ($t < 8.3$ ms) $T_J = 25$ °C | I^2t | 239 | | | A ² s |
| Operating junction and storage temperature range | T_J, T_{STG} | -55 to +150 | | | °C |

Notes

- ⁽¹⁾ With 60 W air cooled heatsink
⁽²⁾ Without heatsink, free air

| ELECTRICAL CHARACTERISTICS ($T_A = 25$ °C unless otherwise noted) | | | | | | |
|--|-----------------|--------|----------------|------|------|---------|
| PARAMETER | TEST CONDITIONS | SYMBOL | TYP. | MAX. | UNIT | |
| Maximum instantaneous forward voltage per diode ⁽¹⁾ | $I_F = 10$ A | V_F | $T_A = 25$ °C | 0.95 | 1.05 | V |
| | | | $T_A = 125$ °C | 0.85 | 0.95 | |
| Maximum reverse current per diode | rated V_R | I_R | $T_A = 25$ °C | - | 5.0 | μ A |
| | | | $T_A = 125$ °C | 110 | 350 | |
| Typical junction capacitance per diode | 4.0 V, 1 MHz | C_J | 95 | - | pF | |

Note

- ⁽¹⁾ Pulse test: 300 μ s pulse width, 1 % duty cycle

| THERMAL CHARACTERISTICS ($T_A = 25\text{ }^\circ\text{C}$ unless otherwise noted) | | | | | |
|---|--------------------------------|--------|--------|--------|--------------------|
| PARAMETER | SYMBOL | BU2006 | BU2008 | BU2010 | UNIT |
| Typical thermal resistance | $R_{\theta JC}$ ⁽¹⁾ | 2.4 | | | $^\circ\text{C/W}$ |
| | $R_{\theta JA}$ ⁽²⁾ | 20 | | | |

Notes

- (1) With 60 W air cooled heatsink
 (2) Without heatsink, free air

| ORDERING INFORMATION (Example) | | | | |
|---------------------------------------|-----------------|------------------------|---------------|---------------|
| PREFERRED P/N | UNIT WEIGHT (g) | PREFERRED PACKAGE CODE | BASE QUANTITY | DELIVERY MODE |
| BU2006-E3/45 | 4.76 | 45 | 20 | Tube |
| BU2006-E3/51 | 4.76 | 51 | 250 | Paper tray |
| BU2006-M3/45 | 4.76 | 45 | 20 | Tube |
| BU20065S-E3/45 | 4.76 | 45 | 20 | Tube |

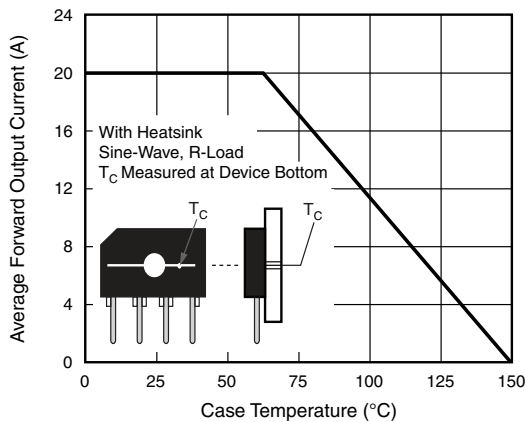
RATINGS AND CHARACTERISTICS CURVES ($T_A = 25\text{ }^\circ\text{C}$ unless otherwise specified)


Fig. 1 - Derating Curve Output Rectified Current

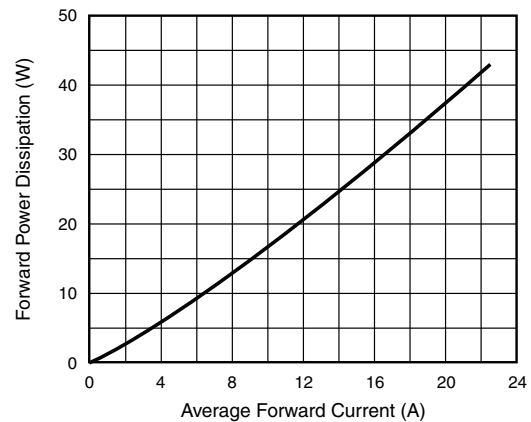


Fig. 3 - Forward Power Dissipation

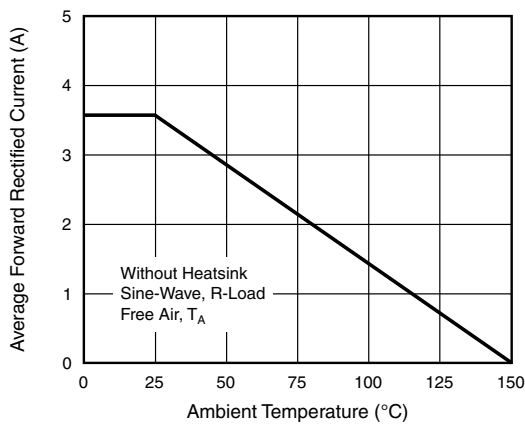


Fig. 2 - Forward Current Derating Curve

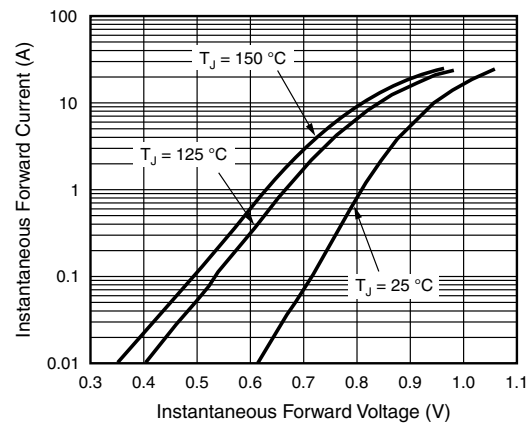


Fig. 4 - Typical Forward Characteristics Per Diode

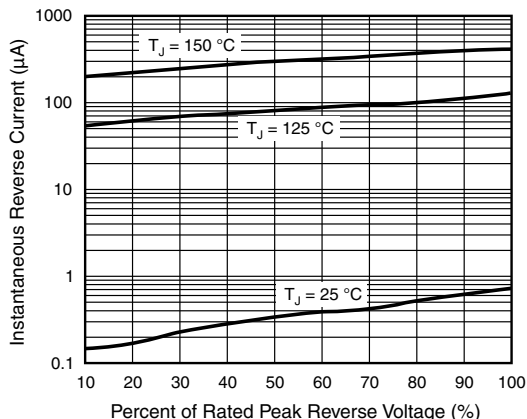


Fig. 5 - Typical Reverse Characteristics Per Diode

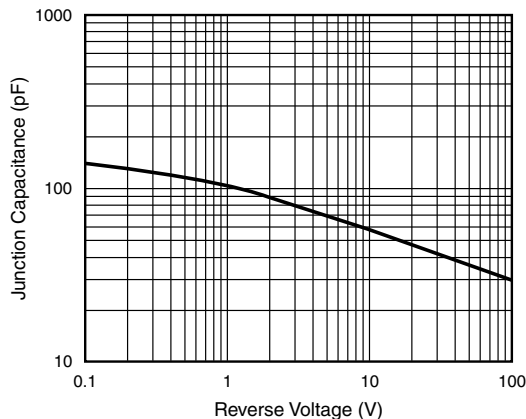
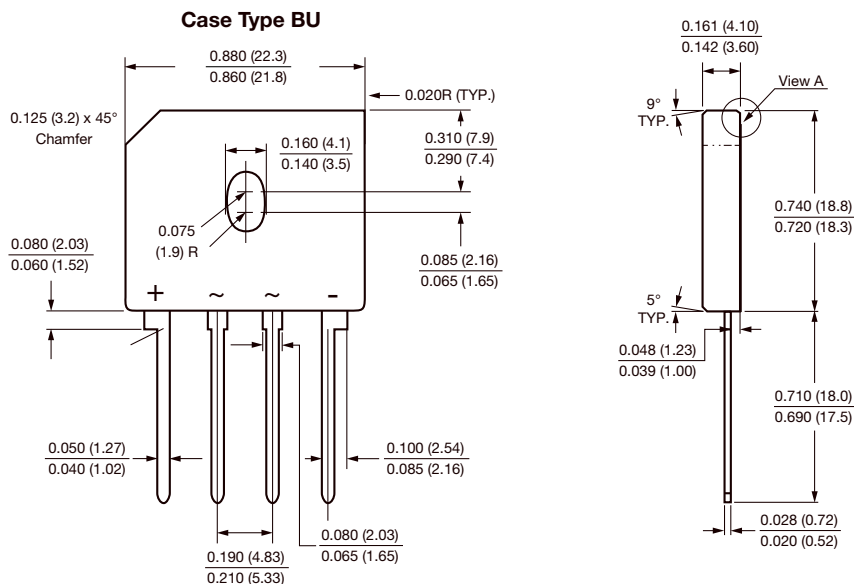
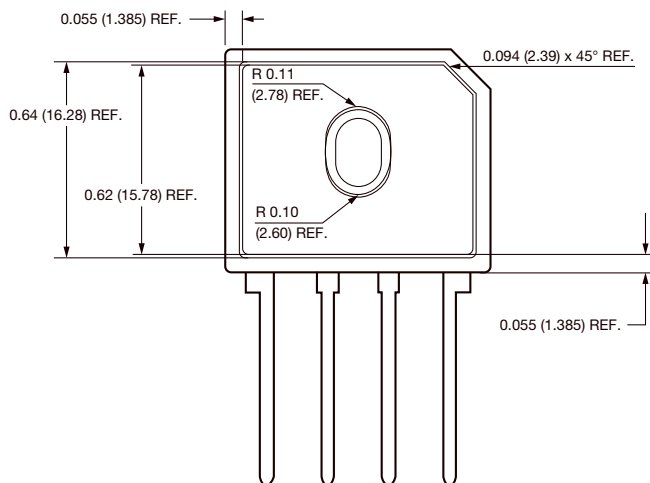


Fig. 6 - Typical Junction Capacitance Per Diode

PACKAGE OUTLINE DIMENSIONS in inches (millimeters)

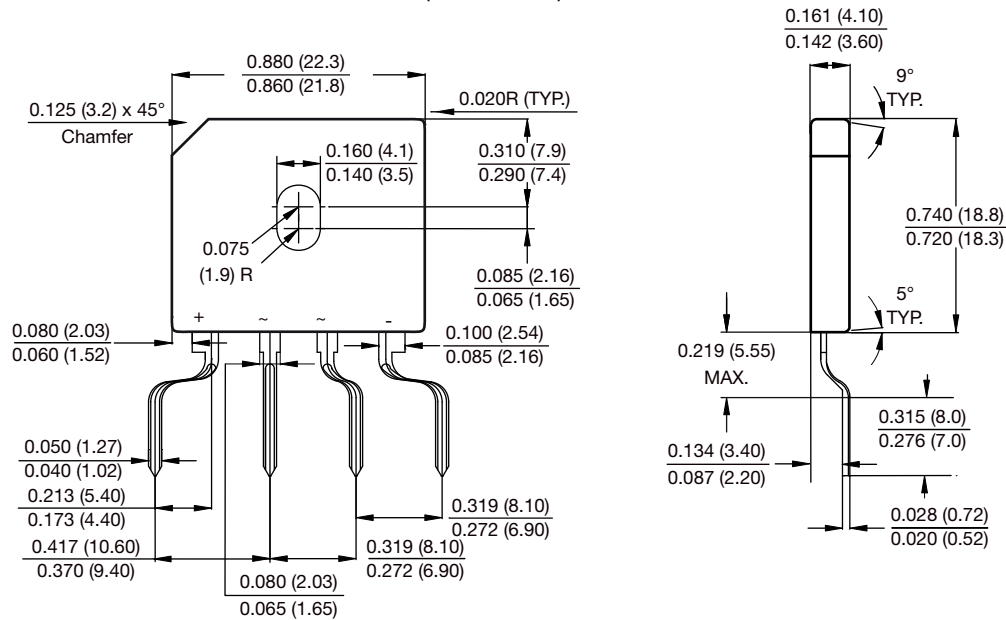


Polarity shown on front side of case, positive lead beveled corner



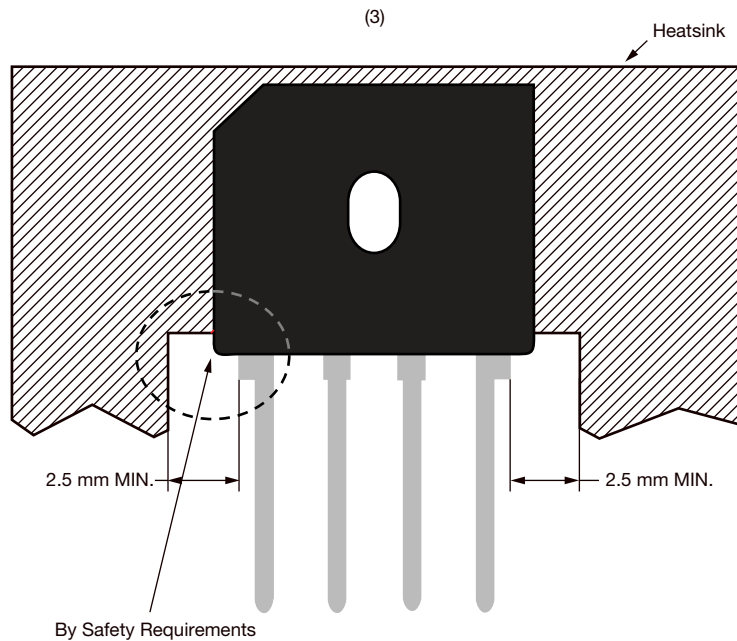


FORMING SPECIFICATION: BU-5S in inches (millimeters)



APPLICATION NOTE

1. Device UL approved for safety use dielectric strength of 1500 V
2. If device is mounted in Floating Ground (F. G.) application, insulator is recommended to use to meet safety requirement.
3. Heat sink shape recommendation:





Disclaimer

ALL PRODUCT, PRODUCT SPECIFICATIONS AND DATA ARE SUBJECT TO CHANGE WITHOUT NOTICE TO IMPROVE RELIABILITY, FUNCTION OR DESIGN OR OTHERWISE.

Vishay Intertechnology, Inc., its affiliates, agents, and employees, and all persons acting on its or their behalf (collectively, "Vishay"), disclaim any and all liability for any errors, inaccuracies or incompleteness contained in any datasheet or in any other disclosure relating to any product.

Vishay makes no warranty, representation or guarantee regarding the suitability of the products for any particular purpose or the continuing production of any product. To the maximum extent permitted by applicable law, Vishay disclaims (i) any and all liability arising out of the application or use of any product, (ii) any and all liability, including without limitation special, consequential or incidental damages, and (iii) any and all implied warranties, including warranties of fitness for particular purpose, non-infringement and merchantability.

Statements regarding the suitability of products for certain types of applications are based on Vishay's knowledge of typical requirements that are often placed on Vishay products in generic applications. Such statements are not binding statements about the suitability of products for a particular application. It is the customer's responsibility to validate that a particular product with the properties described in the product specification is suitable for use in a particular application. Parameters provided in datasheets and / or specifications may vary in different applications and performance may vary over time. All operating parameters, including typical parameters, must be validated for each customer application by the customer's technical experts. Product specifications do not expand or otherwise modify Vishay's terms and conditions of purchase, including but not limited to the warranty expressed therein.

Except as expressly indicated in writing, Vishay products are not designed for use in medical, life-saving, or life-sustaining applications or for any other application in which the failure of the Vishay product could result in personal injury or death. Customers using or selling Vishay products not expressly indicated for use in such applications do so at their own risk. Please contact authorized Vishay personnel to obtain written terms and conditions regarding products designed for such applications.

No license, express or implied, by estoppel or otherwise, to any intellectual property rights is granted by this document or by any conduct of Vishay. Product names and markings noted herein may be trademarks of their respective owners.