

Clock generator IC

BU2285FV

BU2285FV is an IC which produces plural clocks required for a DVD system from an external crystal oscillator and a built-in 2-channel PLL. Seven kinds of signals such as 54MHz, 27MHz and 13.5 MHz for a video clock, 33.8688MHz and 16.9342MHz for a CD clock, 33.864MHz and 18.432MHz for a DVD clock can be outputted with low jitter and high S/N.

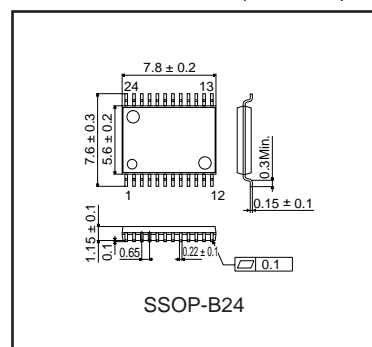
●Applications

DVD System

●Features

- 1) Available with seven output clock signals
- 2) All output low jitter (No load 30ps)
High S/N (More than 50dB)
- 3) No need for additional components
(BU2285FV has a PLL loop filter inside)
- 4) 3.3V signal power supply

●External dimensions (Unit : mm)



●Absolute maximum ratings (Ta=25°C)

Parameter	Symbol	Limits	Unit
Applied voltage	V _{DD}	-0.5 to +7.0	V
Input voltage	V _{IN}	-0.5 to V _{DD} +0.5	V
Storage temperature range	T _{stg}	-30 to +125	°C
Power dissipation	P _d	630	mW

*An operation is not guaranteed.

* In case it is used at Ta=25°C or more, 6.3mW is reduced at every 1°C.

*Radiation resistance design is not used.

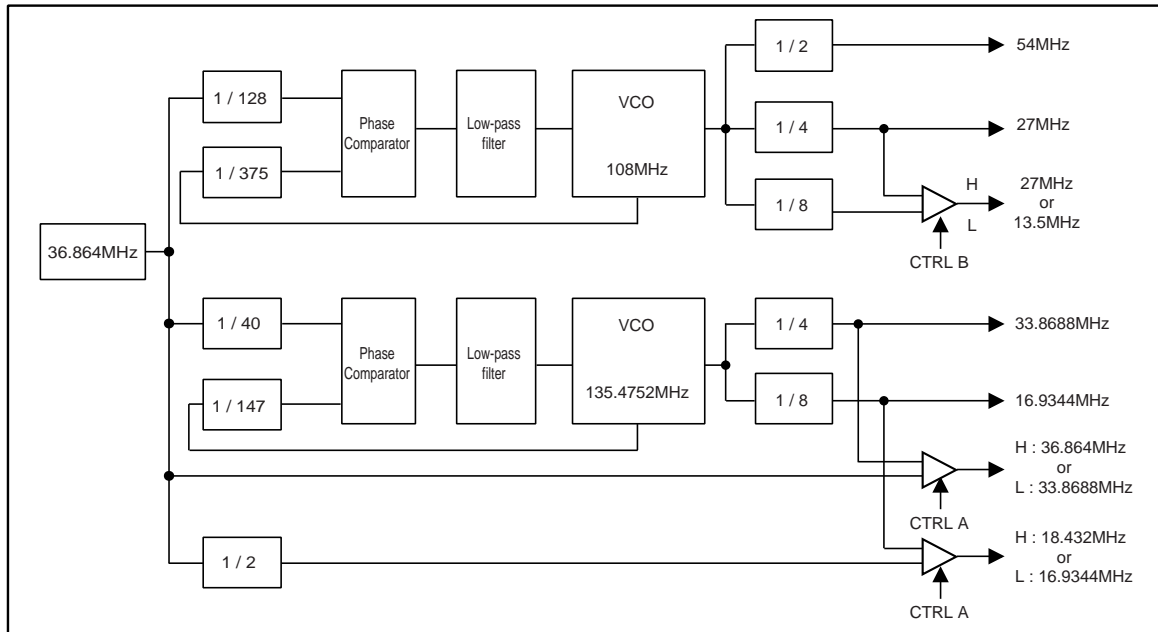
*Power dissipation is measured when BU2285FV is placed on the board.

●Recommended operating conditions (Ta=25°C)

Parameter	Symbol	Min.	Typ.	Max.	Unit
Supply voltage	V _{DD}	3.0	-	3.6	V
Input "H" voltage range	V _{IH}	0.8V _{DD}	-	V _{DD}	V
Input "L" voltage range	V _{IL}	0	-	0.2V _{DD}	V
Operating temperature range	T _{opr}	-5	-	70	°C
Output load	C _L	-	-	15	pF

Multimedia ICs

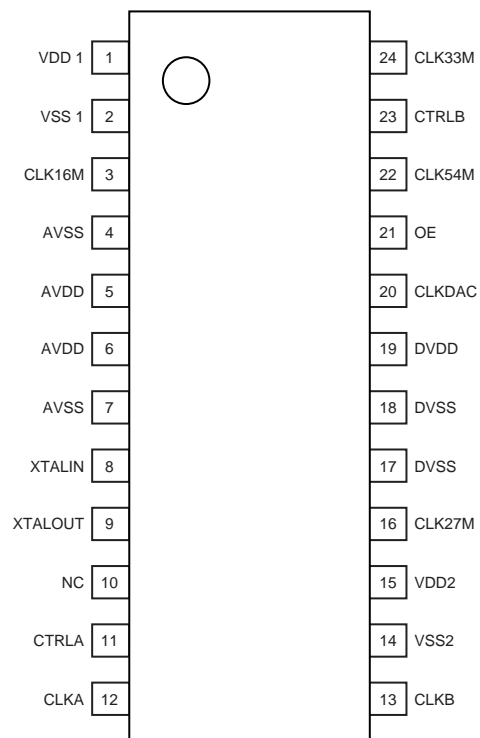
●Block diagram



Multimedia ICs

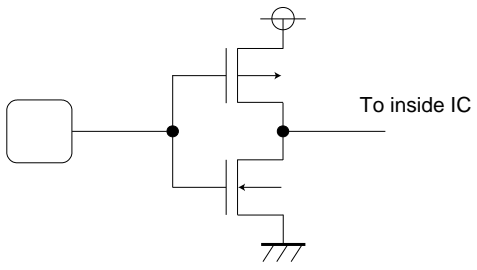
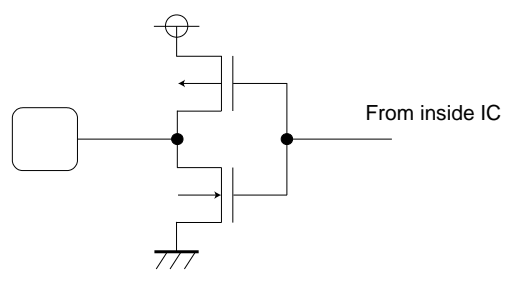
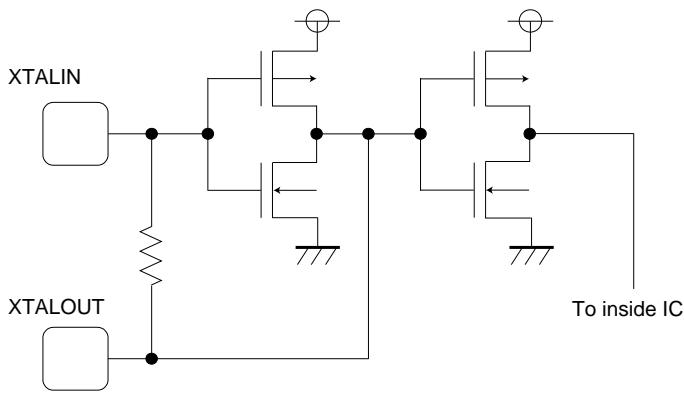
●Pin descriptions

Pin No.	Pin name	Functions
1	VDD1	Digital VDD for (33.16) MHz clock output
2	VSS1	Digital GND for (33.16) MHz clock output
3	CLK16M	16.934MHz clock output
4	AVSS	Analog GND
5	AVDD	Analog VDD
6	AVDD	Analog VDD
7	AVSS	Analog GND
8	XTALIN	Standard crystal input
9	XTALOUT	Standard crystal output
10	NC	No connection
11	CTRLA	CLKA, CLKB select bit
12	CLKA	CTRLA=H:36.864MHz, CTRLA=L:33.8688MHz
13	CLKB	CTRLA=H:18.432MHz, CTRLA=L:16.9344MHz
14	VSS2	Digital GND for (CLKA, CLKB) clock output
15	VDD2	Digital VDD for (CLKA, CLKB) clock output
16	CLK27M	27MHz clock output
17	DVSS	Digital GND
18	DVSS	Digital GND
19	DVDD	Digital VDD
20	CLKDAC	CTRLB=H:27MHz, CTRLB=L:13.5MHz
21	OE	Output Enable (open : enable, L : disable) : with pull up
22	CLK54M	54MHz clock output
23	CTRLB	CLKDAC select bit
24	CLK33M	clock output



Multimedia ICs

●Input output circuits

Pin No.	Equivalent circuit
<p>Input Pin 11,21,23</p> <p>pull_up resistance about 50kΩ</p>	
<p>Output Pin 3,12,13,16, 20,22,24</p>	
<p>Crystal Pin 8,9</p>	

Multimedia ICs

●Electrical characteristics (Unless specified otherwise Ta=25°C, VCC=3.3V, crystal frequency=36.864MHz)

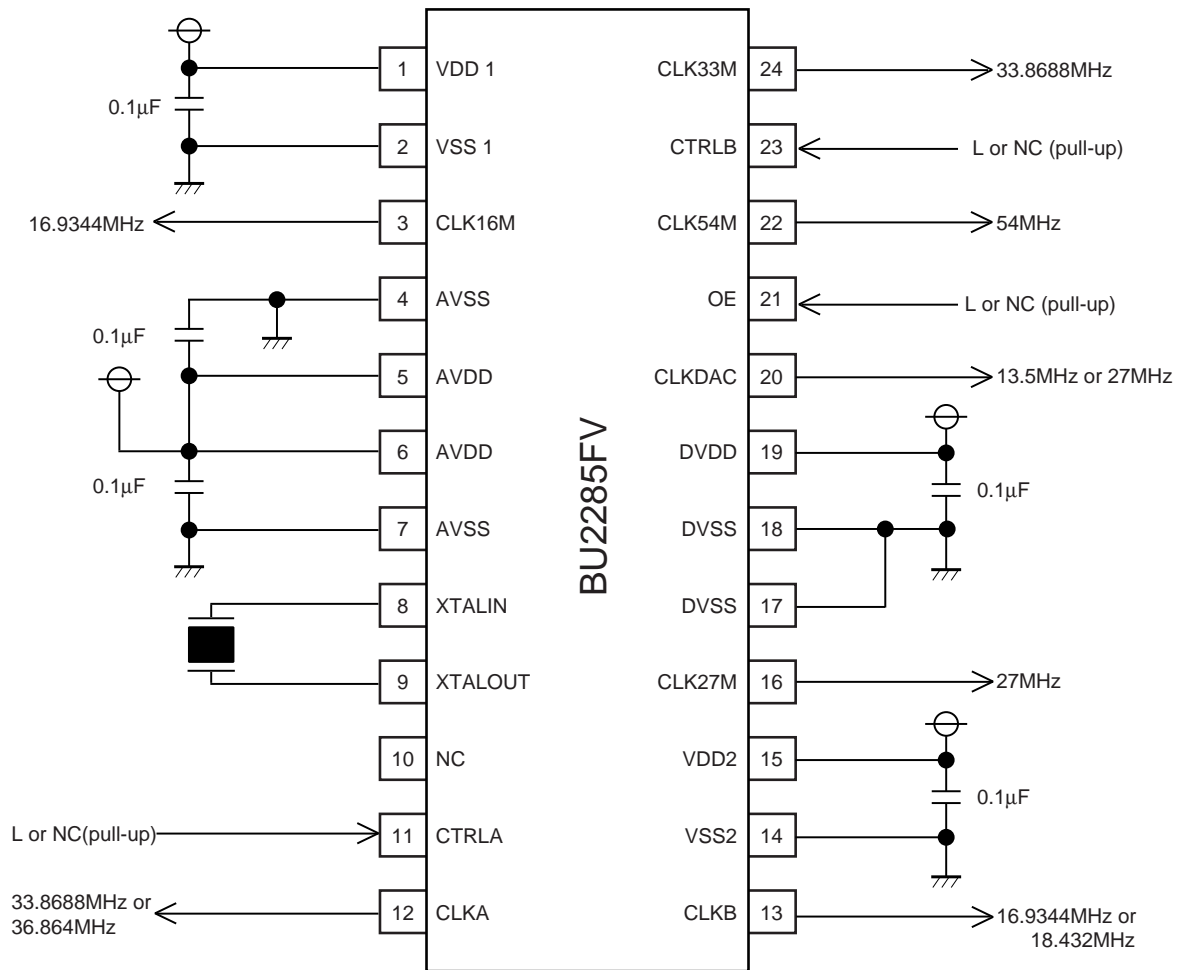
Parameter	Symbol	Min.	Typ.	Max.	Unit	Conditions
Output "L" voltage	VOL	–	–	0.4	V	IOL=4.0mA
Output "H" voltage	VOH	2.4	–	–	V	IOH=–4.0mA
Power supply current	IDD	–	30	50	mA	No load
CLK54M	CLK54M	–	54	–	MHz	XTAL × 375 / 128 / 2
CLK27M	CLK27M	–	27	–	MHz	XTAL × 375 / 128 / 4
CLKDAC	CLKDAC_H	–	27	–	MHz	CTRLB=H, XTAL × 375 / 128 / 4
	CLKDAC_L	–	13.5	–	MHz	CTRLB=L, XTAL × 375 / 128 / 8
CLK33M	CLK33M	–	33.8688	–	MHz	XTAL × 147 / 40 / 4
CLK16M	CLK16M	–	16.9344	–	MHz	XTAL × 147 / 40 / 8
CLKA	CLKA_H	–	36.864	–	MHz	CTRLA=H, XTAL output
	CLKA_L	–	33.864	–	MHz	CTRLA=L, XTAL × 147 / 40 / 4
CLKB	CLKB_H	–	18.432	–	MHz	CTRLA=H, XTAL / 2 output
	CLKB_L	–	16.9344	–	MHz	CTRLA=L, XTAL × 147 / 40 / 8
Duty	Duty	45	50	55	%	1/2VDD test
Jitter1	Jstd1	–	100	–	psec	Short term jitter 1sigma
Jitter2	Jstd2	–	400	–	psec	Min.– Max. level
Rise time	tr	–	2.5	–	nsec	Time between 0.2VDD to 0.8VDD
Fall time	tf	–	2.5	–	nsec	Time between 0.2VDD to 0.8VDD
Output LOCK time	tLOCK	–	–	1	msec	*

Jitter is mean value when using Time Interval Analyzer with 10,000 sampling.

* Time between voltage supply lead to 3.0V and output clock gets stable. Start up time of power supply sources satisfy this rated value at every time, case.

Multimedia ICs

●Application example



●Operating notes

The BU2285FV is basically placed on the board.

Decoupling capacitance (0.1µF) need to be placed between Pin6 (AVDD) and Pin7 (AVSS).

Also Decoupling capacitance (0.1µF) need to be placed between Pin1 (VDD1) and Pin2 (VSS1), Pin4 (AVSS) and Pin5 (AVDD), Pin14 (VSS2) and Pin15 (VDD2), Pin18 (DVSS) and Pin19 (DVDD).

To obtain accurate frequency , capacitance(pF) need to be placed between Pin8 (XTALIN) and Pin7 (AGND), Pin9 (XTALOUT) and Pin7 (AGND).

Tantalum capacitance (10 to 100µF), ferrite beads may need to be placed to prevent power supply drop in certain boards case.

To reduce high frequency noise, selected bypass capacitors ($\leq 1\Omega$ at problem high frequency) maybe used for power pin as close to BU2285FV as possible.

Notes

- No technical content pages of this document may be reproduced in any form or transmitted by any means without prior permission of ROHM CO.,LTD.
- The contents described herein are subject to change without notice. The specifications for the product described in this document are for reference only. Upon actual use, therefore, please request that specifications to be separately delivered.
- Application circuit diagrams and circuit constants contained herein are shown as examples of standard use and operation. Please pay careful attention to the peripheral conditions when designing circuits and deciding upon circuit constants in the set.
- Any data, including, but not limited to application circuit diagrams information, described herein are intended only as illustrations of such devices and not as the specifications for such devices. ROHM CO.,LTD. disclaims any warranty that any use of such devices shall be free from infringement of any third party's intellectual property rights or other proprietary rights, and further, assumes no liability of whatsoever nature in the event of any such infringement, or arising from or connected with or related to the use of such devices.
- Upon the sale of any such devices, other than for buyer's right to use such devices itself, resell or otherwise dispose of the same, no express or implied right or license to practice or commercially exploit any intellectual property rights or other proprietary rights owned or controlled by
- ROHM CO., LTD. is granted to any such buyer.
- Products listed in this document use silicon as a basic material.
Products listed in this document are no antiradiation design.

The products listed in this document are designed to be used with ordinary electronic equipment or devices (such as audio visual equipment, office-automation equipment, communications devices, electrical appliances and electronic toys).

Should you intend to use these products with equipment or devices which require an extremely high level of reliability and the malfunction of which would directly endanger human life (such as medical instruments, transportation equipment, aerospace machinery, nuclear-reactor controllers, fuel controllers and other safety devices), please be sure to consult with our sales representative in advance.

About Export Control Order in Japan

Products described herein are the objects of controlled goods in Annex 1 (Item 16) of Export Trade Control Order in Japan.

In case of export from Japan, please confirm if it applies to "objective" criteria or an "informed" (by MITI clause) on the basis of "catch all controls for Non-Proliferation of Weapons of Mass Destruction.