

Clock generator IC

BU2288FV

The BU2288FV is an IC that generates plural clocks required for DVD system from a 2-channel PLL external crystal oscillator. The six kinds of signals for video and audio system are generated with low jitter.

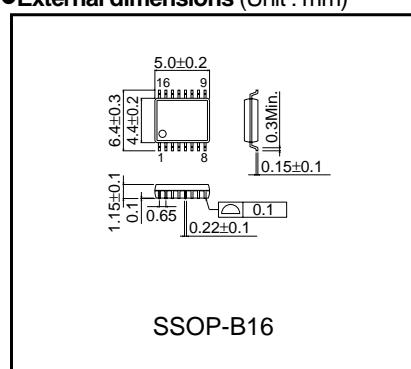
●Application

All DVD sets

●Features

- 1) All clock signals needed for DVD can be generated by a single chip.
- 2) All output low jitter (No load 30psec)
- 3) No need for additional components.
(BU2288FV has a PLL loop filter inside.)
- 4) 3.3V single power supply
- 5) Small SSOP-B16 package.

●External dimensions (Unit : mm)



●Absolute maximum ratings (Ta=25°C)

Parameter	Symbol	Limits	Unit
Applied voltage	V _{DD}	-0.5 to +7.0	V
Input voltage	V _{IN}	-0.5 to V _{DD} +0.5	V
Storage temperature range	T _{stg}	-30 to +125	°C
Power dissipation	P _d	450	mW

* An operation is not guaranteed.

* In case it is used at Ta=25°C or more, 4.5mW is reduced at every1°C.

* Radiation resistance design is not used.

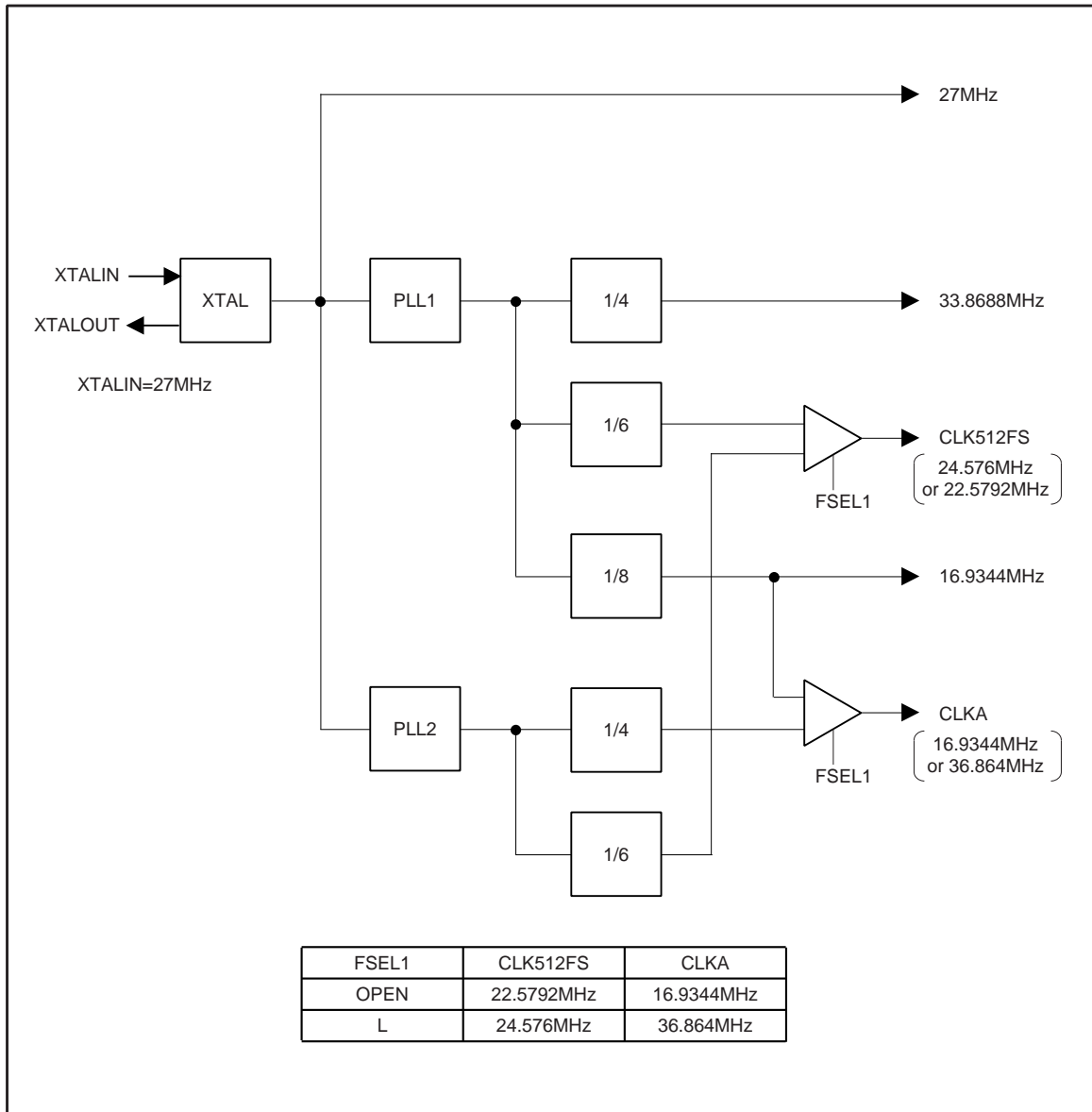
* Power dissipation is measured when BU2288FV is placed on the board.

●Recommended operating conditions (Ta=25°C)

Parameter	Symbol	Min.	Typ.	Max.	Unit
Supply voltage	V _{DD}	3.0	-	3.6	V
Input "H" voltage range	V _{IH}	0.8V _{DD}	-	V _{DD}	V
Input "L" voltage range	V _{IL}	0	-	0.2V _{DD}	V
Operation temperature range	T _{opr}	-5	-	70	°C
Output maximum load	CL	-	-	15	pF

Multimedia ICs

●Block diagram



Multimedia ICs

●Pin descriptions

Pin No.	Pin name	Functions
1	VDD2	Digital VDD for 27MHz clock output
2	VSS2	Digital GND for 27MHz clock output
3	CLK27M	27MHz clock output
4	TEST	Output for test
5	AVDD	Analog VDD
6	AVSS	Analog GND
7	XTALOUT	Standard crystal output
8	XTALIN	Standard crystal input
9	CLKA	Clock output (FSEL1=Open : 16.9344MHz, FSEL1=L : 36.864MHz)
10	CLK512FS	Clock output (FSEL1=Open : 22.5792MHz, FSEL1=L : 24.576MHz)
11	DVSS	Digital GND
12	DVDD	Digital VDD
13	CLK16M	16.9344MHz clock output
14	FSEL1	Output select : with pull-up Open : 16.9344MHz (Pin9), 22.5792MHz (Pin10) L : 36.864MHz (Pin9), 24.576Mhz (Pin10)
15	CLK33M	33.8688MHz clock output
16	OE	Output enable (open : enable, L : disable) : with pull-up

Multimedia ICs

●Input output circuits

Pin No.	Equivalent circuit
Input (schmitt trigger) Pin 14 with pull-up resistance	
Input Pin 16 with pull-up resistance	
Output Pin 3, 9, 10, 13, 15	
Output Pin 4	
Crystal Pin 7, 8	

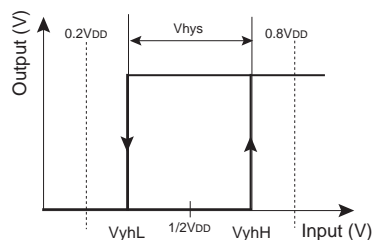
Multimedia ICs

●Electrical characteristics (Unless specified otherwise Ta=25°C, VDD=3.3V, crystal frequency=27MHz)

Parameter	Symbol	Min.	Typ.	Max.	Unit	Conditions
Output "H" voltage	V _{OH}	2.4	–	–	V	I _{OH} =–4.0mA
Output "L" voltage	V _{OL}	–	–	0.4	V	I _{OL} =4.0mA
FSEL Input V _{thL} *3	V _{thL}	0.2V _{DD}	–	–	V	*1
FSEL Input V _{thH} *3	V _{thH}	–	–	0.8V _{DD}	V	*1
Hysteresis width *3	V _{hys}	0.2	–	–	V	V _{hys} =V _{thH} –V _{thL}
Power supply current	I _{DD}	–	27	40.5	mA	no load
CLK512FS	CLK512-A	–	22.5792	–	MHz	FSEL1=OPEN, XTAL *3136/625/6
	CLK512-B	–	24.576	–	MHz	FSEL1=L, XTAL *2048/375/6
CLK33M	CLK33M	–	33.8688	–	MHz	XTAL *3136/625/4
CLK16M	CLK16M	–	16.9344	–	MHz	XTAL *3136/625/8
CLK27M	CLK27M	–	27	–	MHz	XTAL output
CLK A	CLKA-A	–	16.9344	–	MHz	FSEL1=OPEN, XTAL *3136/625/8
	CLKA-B	–	36.864	–	MHz	FSEL1=L, XTAL *2048/375/4
Duty	Duty	45	50	55	%	1/2 V _{DD} test
Jitter 1σ	J _{sSD}	–	70	–	psec	Jitter 1sigma
Jitter MIN-MAX	J _{sABS}	–	420	–	psec	MIN-MAX level
Rise time	t _r	–	2.5	–	nsec	Time between 0.2V _{DD} –0.8V _{DD}
Fall time	t _f	–	2.5	–	nsec	Time between 0.8V _{DD} –0.2V _{DD}
Output Lock time	t _{lock}	–	–	1	msec	*2

Note : JITTER is mean value when using Time Interval Analyzer with 10,000 sampling

*1) graph

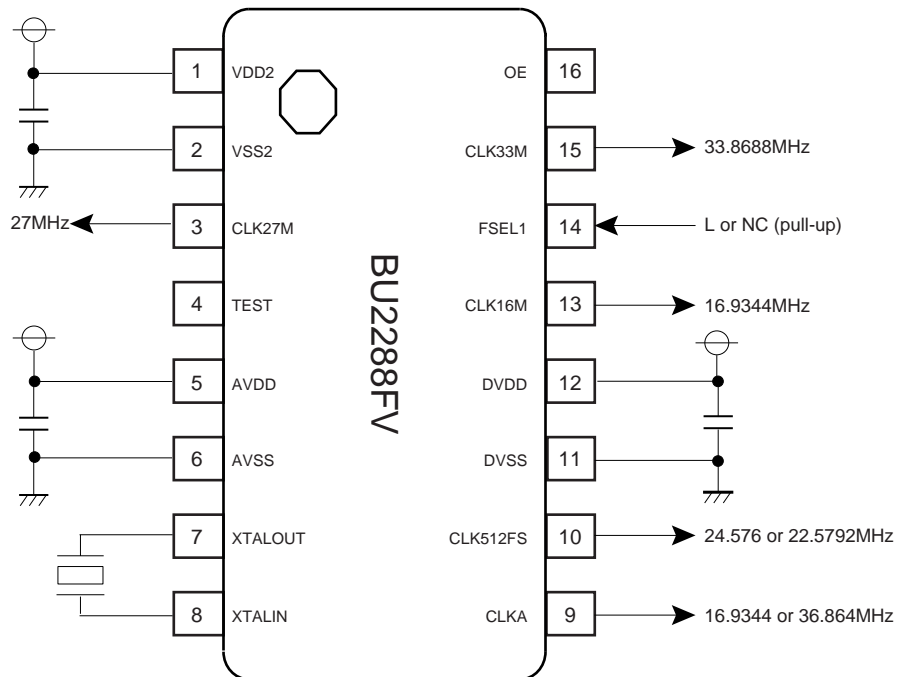


*2) Time between voltage supply leads to 3.0V and output clock gats stable.

Start up time of power supply sources satisfy this rated value at every time, case

Multimedia ICs

●Application example



Note : The BU2288FV is basically placed on the board

Decoupling capacitance (0.1 μ F) need to be placed between Pin5 (AVDD) and Pin6 (AVSS).

Also Decoupling capacitance (0.1 μ F) need to be placed between Pin1 (VDD2) and Pin2 (VSS2), Pin11 (DVSS) and Pin12 (DVDD).

To obtain accurate frequency, capacitance (pF) need to be placed between Pin8 (XTALIN) and Pin6 (AVSS), Pin7 (XTALOUT) and Pin6 (AVSS).

Tantalum capacitance (10 ~100 μ F), ferrite beads may need to be placed to prevent power supply drop in certain boards case.

To reduce high frequency noise, selected bypass capacitors ($\leq 1\Omega$ at problem high frequency) maybe used for power pin as close to BU2288FV as possible.

Notes

- No technical content pages of this document may be reproduced in any form or transmitted by any means without prior permission of ROHM CO.,LTD.
- The contents described herein are subject to change without notice. The specifications for the product described in this document are for reference only. Upon actual use, therefore, please request that specifications to be separately delivered.
- Application circuit diagrams and circuit constants contained herein are shown as examples of standard use and operation. Please pay careful attention to the peripheral conditions when designing circuits and deciding upon circuit constants in the set.
- Any data, including, but not limited to application circuit diagrams information, described herein are intended only as illustrations of such devices and not as the specifications for such devices. ROHM CO.,LTD. disclaims any warranty that any use of such devices shall be free from infringement of any third party's intellectual property rights or other proprietary rights, and further, assumes no liability of whatsoever nature in the event of any such infringement, or arising from or connected with or related to the use of such devices.
- Upon the sale of any such devices, other than for buyer's right to use such devices itself, resell or otherwise dispose of the same, no express or implied right or license to practice or commercially exploit any intellectual property rights or other proprietary rights owned or controlled by
- ROHM CO., LTD. is granted to any such buyer.
- Products listed in this document use silicon as a basic material.
Products listed in this document are no antiradiation design.

The products listed in this document are designed to be used with ordinary electronic equipment or devices (such as audio visual equipment, office-automation equipment, communications devices, electrical appliances and electronic toys).

Should you intend to use these products with equipment or devices which require an extremely high level of reliability and the malfunction of which would directly endanger human life (such as medical instruments, transportation equipment, aerospace machinery, nuclear-reactor controllers, fuel controllers and other safety devices), please be sure to consult with our sales representative in advance.

About Export Control Order in Japan

Products described herein are the objects of controlled goods in Annex 1 (Item 16) of Export Trade Control Order in Japan.

In case of export from Japan, please confirm if it applies to "objective" criteria or an "informed" (by MITI clause) on the basis of "catch all controls for Non-Proliferation of Weapons of Mass Destruction.