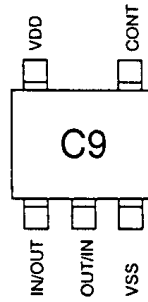
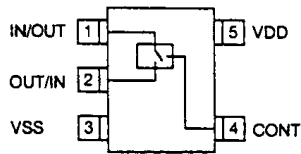


#### 4) TC4S66F (XA0115)

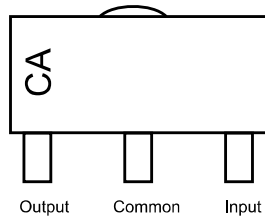
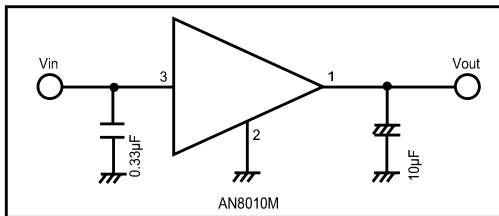
Bilateral Switch



#### 5) AN8010M (XA0119)

10V Voltage Regulator

Test Circuit

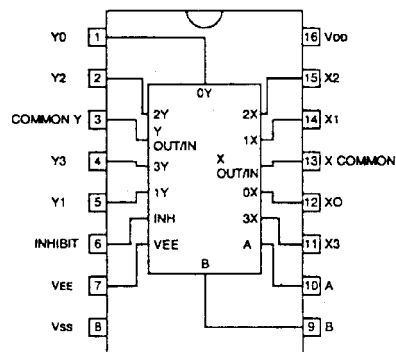
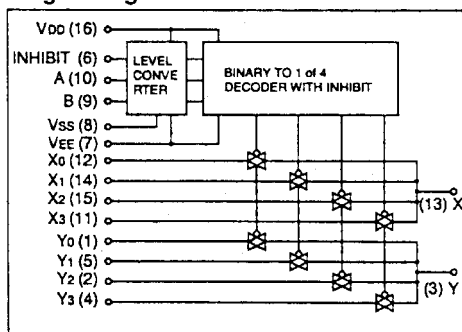


AN8010M

#### 6) BU4052BF (XA0236)

Analog Multiplexer/Demultiplexer

Logic Diagram



Truth Table

| INHIBIT | A | B | ON SWITCH |
|---------|---|---|-----------|
| L       | L | L | X0 Y0     |
| L       | H | L | X1 Y1     |
| L       | L | H | X2 Y2     |
| L       | H | H | X3 Y3     |
| H       | X | X | NONE      |

X: Don't Care