

Digital Sound Processors for FPD TVs

32bit Audio DSP with Built-in 4ch DAC and ASRC



BU9408KS2

No.12083EAT02

●General Description

This LSI is the digital sound processor which made the use digital signal processing for FPD TVs.

DSP of ROHM original is used for the TV sound processor unit, and it excels in cost performance. A selection input of two lines is possible from four digital inputs. An asynchronous sampling rate converter(ASRC) is built in one line. Three digital outputs are built in.

Two audio DA converters are built in.

●Features

■Digital Signal Processor unit

Word length: 32bit (Data RAM)
 The fastest machine cycle: 40.7ns (512fs, fs = 48kHz)
 Multiplier: 32 x 24 → 56bit
 Adder: 32 + 32 → 32bit
 Data RAM: 256 x 32bit
 Coefficient RAM: 128 x 24bit
 Sampling frequency: fs = 48kHz
 Master clock : 512fs (24.576MHz, fs=48kHz)

■Digital signal input (Stereo4lines):

16/20/24bit (I²S, Left-Justified, Right-Justified)

Digital signal output (Stereo 3 lines):

16/20/24bit (I²S, Left-Justified, Right-Justified, S/PDIF)

■.Asynchronous sampling rate converter

(one line at stereo) : 32kHz/44.1kHz/48kHz/88.2kHz/96kHz/176.4kHz/192kHz → 48kHz

■Audio DAC : One stereo output

24bit 8 x Over-sampling digital filter + 1 bit delta sigma DAC

S/N : 96dB

THD+N : 0.005% (Sine-wave 1kHz,0dB)

■Audio 16bit DAC : One stereo output

24bit 8 x Over-sampling digital filter + Audio 16bit DAC

S/N : 90dB

THD+N : 0.03% (Sine-wave 1kHz,0dB)

■The sound signal processing function for FPD TVs

Pre-Scaler, DC cut HPF, Channel Mixer, *P²Volume*(Perfect Pure Volume), BASS, MIDDLE, TREBLE, Simulated-Stereo, Surround, *P²Bass*, *P²Treble*, 7Band Parametric EQ, Master Volume, L/R balance, Post-Scaler, Output signal clipper
 (*P²Volume*, *P²Bass*, and *P²Treble* are the sound effect functions of ROHM original.)

●Applications

Flat Panel TVs (LCD, Plasma)

●Absolute Maximum Ratings

| Items | Symbol | Ratings | Unit |
|-----------------------|-----------|----------|------|
| Power supply voltage | V_{DD} | 4.5 | V |
| Power dissipation | P_d | 850(*1) | mW |
| Operating temp. range | T_{opr} | -25~+85 | °C |
| Storage temp. range | T_{stg} | -55~+125 | °C |

*1 Use of this processor at $T_a = 25^\circ\text{C}$ and over is subject to reduction of 8.5mW per 1°C .

Operation is not guaranteed.

●Recommended Operating Rating(s)

| Items | Symbol | Ratings | Unit |
|----------------------|----------|---------|------|
| Power supply voltage | V_{DD} | 3.0~3.6 | V |

*1 This product is not designed for protection against radioactive rays.

●Electrical Characteristics(Digital system)

$V_{DD}=3.3\text{V}$ (Unless otherwise specified $T_a = 25^\circ\text{C}$)

| Items | Symbol | Limit | | | Unit | Conditions | Adaptive terminal | |
|---------------------------------------|-----------------|----------|------|-----|---------------|----------------------------|---------------------|----|
| | | MIN | TYP | MAX | | | | |
| Input voltage | H-level voltage | V_{IH} | 2.3 | - | - | V | *1 | |
| | L-level voltage | V_{IL} | - | - | 1.0 | V | *1 | |
| Hysteresis input voltage | H-level voltage | V_{IH} | 2.5 | - | - | V | *2,3,4 | |
| | L-level voltage | V_{IL} | - | - | 0.8 | V | *2,3,4 | |
| Input current | I_I | -1 | - | +1 | μA | $V_{IN}=0\sim 3.3\text{V}$ | *1,2 | |
| Input L current to Pull-up resistor | I_{IL} | -150 | -100 | -50 | μA | $V_{IN}=0\text{V}$ | *3 | |
| Input H current to Pull-down resistor | I_{IH} | 35 | 70 | 105 | μA | $V_{IN}=3.3\text{V}$ | *4 | |
| Output voltage | H-level voltage | V_{OH} | 2.75 | - | - | V | $I_O=-0.6\text{mA}$ | *5 |
| | L-level voltage | V_{OL} | - | - | 0.55 | V | $I_O=0.6\text{mA}$ | *5 |
| SDA Output voltage | L-level voltage | V_{OL} | - | - | 0.4 | V | $I_O=3\text{mA}$ | *6 |

Adaptive terminal

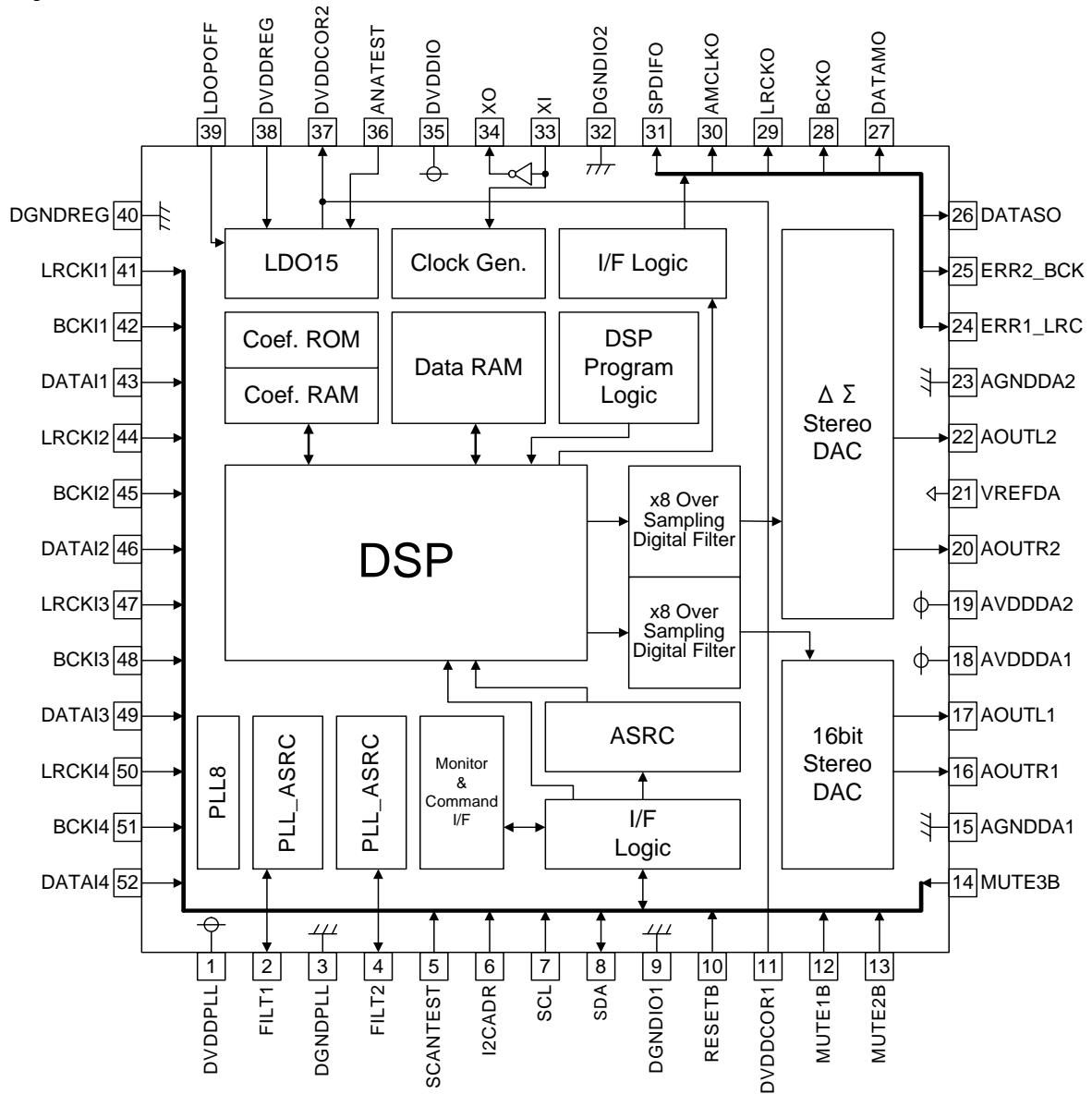
- *1 CMOS input terminal
XI(33pin)
- *2 CMOS hysteresis input terminal
SCANTEST(5pin), SCL(7pin), SDA(8pin)
- *3 CMOS hysteresis input terminal with a built-in pull-up resistor
LRCKI1(41pin), BCKI1(42pin), DATA1(43pin), LRCKI2(44pin), BCKI2(45pin), DATA2(46pin),
LRCKI3(47pin), BCKI3(48pin), DATA3(49pin), LRCKI4(50pin), BCKI4(51pin), DATA4(52pin)
- *4 CMOS input terminal with a built-in pull down resistor
I2CADR(6pin), RESETB(10pin), MUTE1B(12pin), MUTE2B(13pin), MUTE3B(14pin)
- *5 CMOS output terminal
ERR1_LRC(24pin), ERR2_BCK(25pin), DATASO(26pin), DATAMO(27pin), BCKO(28pin), LRCKO(29pin),
AMCLKO(30pin), SPDIFO(31pin), XO(34pin),
- *6 Open drain output terminal
SDA(8pin)

●Electrical Characteristics (Analog system)

$V_{DD}=3.3V$ (Unless otherwise specified $T_a = 25^{\circ}C$, $R_L=10k\Omega$, standard V_C)

| Item | Symbol | Limit | | | Unit | Applicable pins, conditions |
|----------------------|------------|-------|--------|------|------|--------------------------------|
| | | MIN | TYP | MAX | | |
| Total | | | | | | |
| Circuit current | I_Q | - | 40 | 70 | mA | DVDDIO,DVDDPLL,AVDDDA1,AVDDDA2 |
| Regulator | | | | | | |
| Output voltage | V_{REG} | 1.3 | 1.5 | 1.7 | V | $I_O=100mA$ |
| PLL | | | | | | |
| Lock frequency | f_{PA8} | - | 24.576 | - | MHz | BCK=3.072MHz ($f_s=48kHz$) |
| Audio DAC | | | | | | |
| Max-output amplitude | V_{OMAX} | 0.63 | 0.75 | 0.86 | Vrms | |
| THD+N | THD_{DA} | - | 0.005 | 0.03 | % | 0dB,1kHz |
| S/N | S/N_{DA} | - | 96 | - | dB | 0dB,1kHz,A-weighted |
| 16bitDAC | | | | | | |
| Max-output amplitude | V_{OMAX} | 0.65 | 0.77 | 0.88 | Vrms | |
| THD+N | THD_{DA} | - | 0.03 | - | % | 0dB,1kHz |
| S/N | S/N_{DA} | - | 90 | - | dB | 0dB,1kHz,A-weighted |

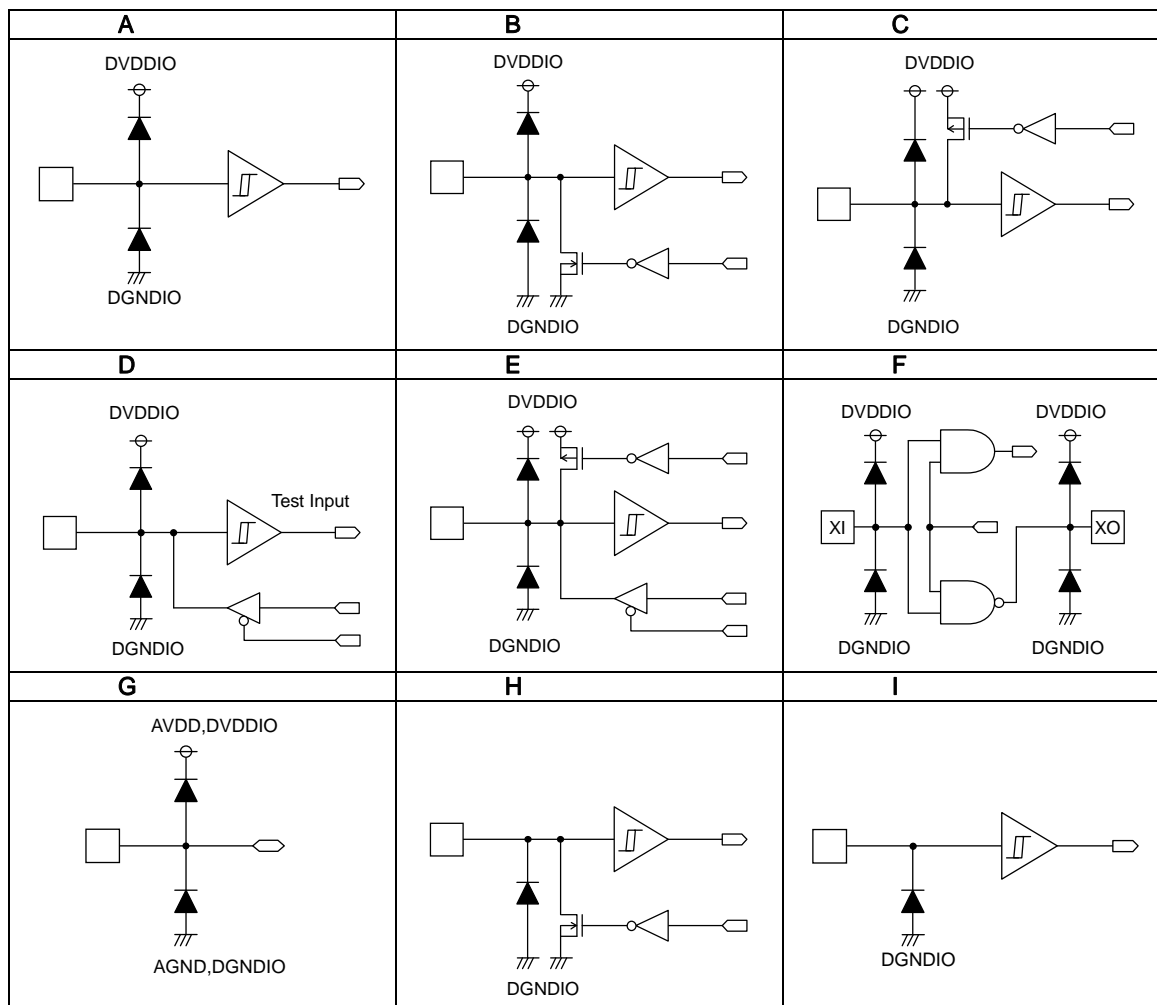
●Block diagram



●Pin Description(s)

| No. | Name | Description of terminals | Type | No. | Name | Description of terminals | Type |
|-----|----------|---|------|-----|----------|---|------|
| 1 | DVDDPLL | Power supply for PLL | — | 27 | DATAMO | I ² S audio Main data output | D |
| 2 | FILT1 | PLLA filter connect terminal 1 | G | 28 | BCKO | I ² S audio bit transfer clock output | D |
| 3 | DGNDPLL | GND for PLL | - | 29 | LRCKO | I ² S audio LR sampling clock output | D |
| 4 | FILT2 | PLLA filter connect terminal 2 | G | 30 | AMCLKO | I ² S audio Synchronous clock output | D |
| 5 | SCANTEST | Test mode select pin | A | 31 | SPDIFO | S/PDIF output | D |
| 6 | I2CADR | I ² C slave address select pin | B | 32 | DGNDIO2 | Digital I/O GND 2 | - |
| 7 | SCL | I ² C transfer clock input pin | I | 33 | XI | X'tal 24.576MHz input | F |
| 8 | SDA | I ² C data I/O pin | H | 34 | XO | X'tal 24.576MHz output | F |
| 9 | DGNDIO1 | Digital I/O GND | - | 35 | DVDDIO | Digital I/O power supply | - |
| 10 | RESETB | "L" → reset condition | B | 36 | ANATEST | Analog test mode select pin | G |
| 11 | DVDDCOR1 | Power supply for Digital core 1 | - | 37 | DVDDCOR2 | Power supply for Digital core 2 | - |
| 12 | MUTE1B | "L" → Digital-out mute | B | 38 | DVDDREG | power supply for Regulator | - |
| 13 | MUTE2B | "L" → Audio DAC mute | B | 39 | LDOPOFF | Regulator POFF signal | G |
| 14 | MUTE3B | "L" → 16bit DAC mute | B | 40 | DGNDREG | GND for Regulator | - |
| 15 | AGNDDA1 | GND for DAC 1 | - | 41 | LRCKI1 | I ² S audio LR sampling clock input 1 | C |
| 16 | AOUTR1 | Audio DAC Rch output 1 | G | 42 | BCKI1 | I ² S audio bit transfer clock input 1 | C |
| 17 | AOUTL1 | Audio DAC Lch output 1 | G | 43 | DATAI1 | I ² S audio data input 1 | C |
| 18 | AVDDDA1 | Power supply for DAC 1 | - | 44 | LRCKI2 | I ² S audio LR sampling clock input 2 | C |
| 19 | AVDDDA2 | Power supply for DAC 2 | - | 45 | BCKI2 | I ² S audio bit transfer clock input 2 | C |
| 20 | AOUTR2 | Audio DAC Rch output 2 | G | 46 | DATAI2 | I ² S audio data input 2 | C |
| 21 | VREFDA | Reference voltage only for DAC | G | 47 | LRCKI3 | I ² S audio LR sampling clock input 3 | C |
| 22 | AOUTL2 | Audio DAC Lch output 2 | G | 48 | BCKI3 | I ² S audio bit transfer clock input 3 | C |
| 23 | AGNDDA2 | GND for DAC 2 | - | 49 | DATAI3 | I ² S audio data input 3 | C |
| 24 | ERR1_LRC | PLL1 Error / LRCK output | D | 50 | LRCKI4 | I ² S audio LR sampling clock input 4 | C |
| 25 | ERR2_BCK | PLL2 Error / BCK output | D | 51 | BCKI4 | I ² S audio bit transfer clock input 4 | C |
| 26 | DATASO | I ² S audio SUB data output | D | 52 | DATAI4 | I ² S audio data input 4 | C |

●Terminal equal circuit figure



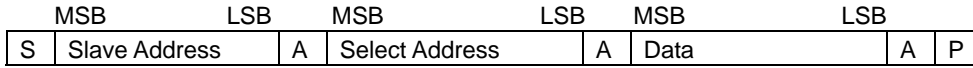
1. Command Interface

BU9408KS2 uses I²C-bus system for the command interface with a host CPU.

The register of BU9408KS2 has Write-mode and Read-mode.

BU9408KS2 specifies a slave address and 1 byte of selection address, and it performs writing and read-out.

The slave mode format of I²C bus is shown below.



S : Start condition

Slave Address : After the slave address (7 bits) set up by I2CADR, bit of a read-mode ("H") and a write-mode ("L") is attached, and a total of 8-bit data is sent. (MSB first)

A: Acknowledge An acknowledge bit is added on to each bit of data transmitted.

When data transmission is being done correctly, "L" is transmitted.

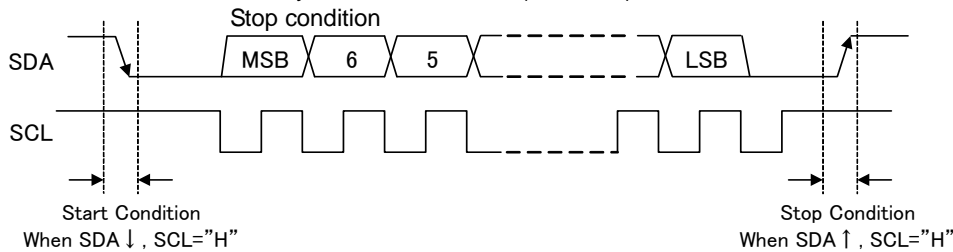
"H" transmission means there was no acknowledge.

Select Address: BU9408KS2 uses a 1-byte select address. (MSB first)

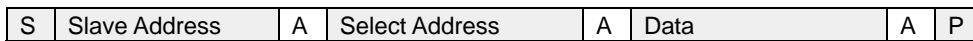
Data:

Data byte, transmitted data (MSB first)

P:



1-1. Data Write-In



: Master to Slave
 : Slave to Master

ADDR=0

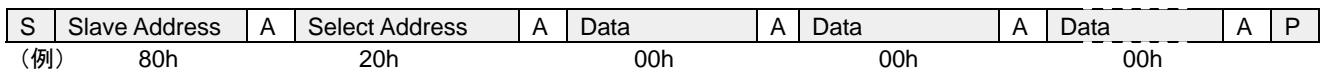
| | | | | | | | | | |
|-----|----|----|----|----|----|----|----|-----|-----|
| MSB | A6 | A5 | A4 | A3 | A2 | A1 | A0 | R/W | LSB |
| | 1 | 0 | 0 | 0 | 0 | 0 | 0 | 0 | |

Setting of BU9408KS2 slave address

| Terminal setting | Write-mode Slave-address |
|------------------|--------------------------|
| ADDR | |
| 0 | 80h |
| 1 | 82h |

ADDR=1

| | | | | | | | | | |
|-----|----|----|----|----|----|----|----|-----|-----|
| MSB | A6 | A5 | A4 | A3 | A2 | A1 | A0 | R/W | LSB |
| | 1 | 0 | 0 | 0 | 0 | 0 | 1 | 0 | |



: Master to Slave
 : Slave to Master

Write-in Procedure

| Step | Clock | Master | Slave(BU9408KS2) | Note |
|------|-------|-----------------|------------------|--------------------------------|
| 1 | | Start Condition | | |
| 2 | 7 | Slave Address | | &h80 (&h82) |
| 3 | 1 | R/W (0) | | |
| 4 | 1 | | Acknowledge | |
| 5 | 8 | Select Address | | Write-in target register: 8bit |
| 6 | 1 | | Acknowledge | |
| 7 | 8 | Data | | 8bit write-in data |
| 8 | 1 | | Acknowledge | |
| 9 | | Stop Condition | | |

○When transmitting continuous data, the auto-increment function moves the select address up by one.

Repeat steps 7 and 8.

1-2. Data Read-out

During read-out, the corresponding read-out address is first written into the &hD0 address register (&h20h in the example). In the following stream, the data is read out after the slave address. Do not return an acknowledge after completing the reception.

| | | | | | | | |
|-------|---------------|---|----------|---|----------------|---|---|
| S | Slave Address | A | Req_Addr | A | Select Address | A | P |
| (ex.) | 80h | | D0h | | 20h | | |

| | | | | | | | | | | | |
|-------|---------------|---|--------|---|--------|---|-------|---|--------|---|---|
| S | Slave Address | A | Data 1 | A | Data 2 | A | ----- | A | Data N | Ā | P |
| (ex.) | 81h | | **h | | **h | | | | **h | | |

□ : Master to Slave, □ : Slave to Master, A: With acknowledge, Ā: Without acknowledge

Read-out Procedure

| Step | Clock | Master | Slave(BU9408KS2) | Note |
|------|-------|-----------------|------------------|--|
| 1 | | Start Condition | | |
| 2 | 7 | Slave Address | | &h80 (&h82) |
| 3 | 1 | R/W (0) | | |
| 4 | 1 | | Acknowledge | |
| 5 | 8 | Req_Addr | | I ² C read-out address &hD0 |
| 6 | 1 | | Acknowledge | |
| 7 | 8 | Select Address | | Read-out target register: 8bit |
| 8 | 1 | | Acknowledge | |
| 9 | 1 | Stop Condition | | |
| 10 | 1 | Start Condition | | |
| 11 | 7 | Slave Address | | &h81 (&h83) |
| 12 | 1 | R/W (1) | | |
| 13 | 1 | | Acknowledge | |
| 14 | 8 | | Data | 8bit read-out data |
| 15 | 1 | Acknowledge | | |
| 16 | | Stop Condition | | |

○When transmitting continuous data, the auto-increment function moves up the select address by one.

Repeat steps 14 and 15.

1-3. Control Signal Specifications

○ Electrical Characteristics and Timing for Bus Line and I/O Stage

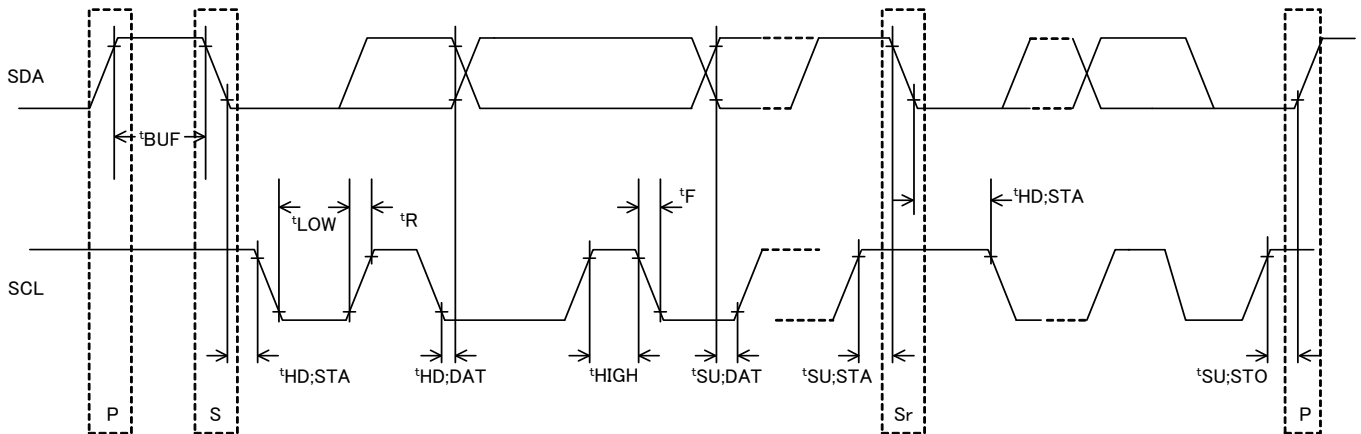


Fig.1-1: Timing Chart

Table 1-1: SDA and SCL Bus Line Characteristics (Ta=25°C and VDD=3.3V)

| Parameters | Symbol | High-Speed Mode | | Unit |
|---|--------------|-----------------|------|---------|
| | | Min. | Max. | |
| 1 SCL clock frequency | fSCL | 0 | 400 | kHz |
| 2 Bus free time between “stop” condition and “start” condition | t_{BUF} | 1.3 | — | μ S |
| 3 Hold time (re-transmit) “start” condition. After this period, the first clock pulse is generated. | $t_{HD;STA}$ | 0.6 | — | μ S |
| 4 SCL clock LOW state hold time | t_{LOW} | 1.3 | — | μ S |
| 5 SCL clock HIGH state hold time | t_{HIGH} | 0.6 | — | μ S |
| 6 Re-transmit set-up time of “start” condition | $t_{SU;STA}$ | 0.6 | — | μ S |
| 7 Data hold time | $t_{HD;DAT}$ | 0 ¹⁾ | — | μ S |
| 8 Data setup time | $t_{SU;DAT}$ | 100 | — | ns |
| 9 SDA and SCL signal stand-up time | t_{R} | 20+Cb | 300 | ns |
| 10 SDA and SCL signal stand-down time | t_{F} | 20+Cb | 300 | ns |
| 11 Set-up time for “stop” condition | $t_{SU;STO}$ | 0.6 | — | μ S |
| 12 Each bus line’s capacitive load | Cb | — | 400 | pF |

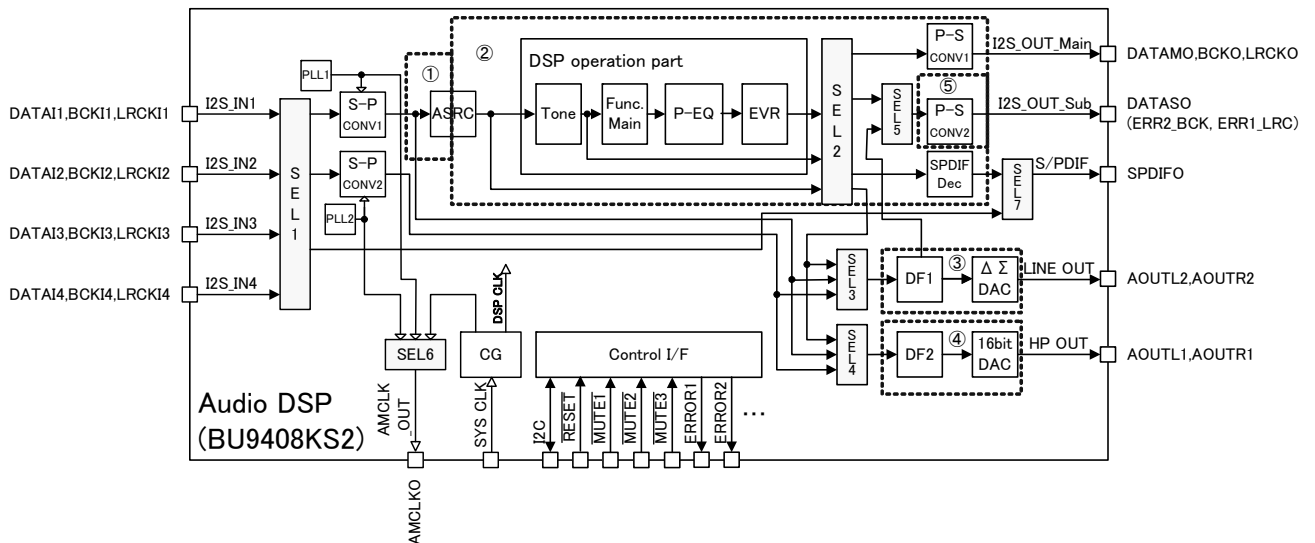
The values above correspond with $V_{IH\ min}$ and $V_{IL\ max}$ levels.

1) Because the transmission device exceeds the undefined domain of the SCL fall edge, it is necessary to internally provide a minimum 300ns hold time for the SDA signal (of $V_{IH\ min}$ of SCL signal).

The above-mentioned characteristic is a theory value in IC design and it doesn't be guaranteed by shipment inspection. When problem occurs by any chance, we talk in good faith and correspond. Neither terminal SCLI nor terminal SDAI correspond to 5V tolerant. Please use it within absolute maximum rating 4.5V.

2. Data and System-clock setting

The input-and-output distribution diagram of the audio data of BU9408KS2 is shown below.



BU9408KS2 has a 4-line digital stereo input, 3-line digital stereo output and 2-line analog stereo output. The digital data input to the DSP operation part is first changed to $f_s=48\text{kHz}$ data at the ASRC (asynchronous sampling rate converter). DSP operation part output is changed to either I²S format digital output, S/PDIF format digital serial output or analog output.

2-1. Input data selection to S-P Conversion 1 (SEL1)

Default = 0

| Select Address | Value | Operation Description |
|----------------|-------|-------------------------|
| &h03 [1:0] | 0 | Input data from I2S_IN1 |
| | 1 | Input data from I2S_IN2 |
| | 2 | Input data from I2S_IN3 |
| | 3 | Input data from I2S_IN4 |

2-2. Input data selection to S-P Conversion 2 (SEL1)

Default = 0

| Select Address | Value | Operation Description |
|----------------|-------|-------------------------|
| &h03 [5:4] | 0 | Input data from I2S_IN1 |
| | 1 | Input data from I2S_IN2 |
| | 2 | Input data from I2S_IN3 |
| | 3 | Input data from I2S_IN4 |

2-3. Output data selection P-S Conversion 1 for DATAMO terminal (SEL2)

Default = 0

| Select Address | Value | Operation Description |
|----------------|-------|--------------------------------------|
| &h04 [1:0] | 0 | Main data output after DSP operation |
| | 1 | Sub data output after DSP operation |
| | 2 | Data output before DSP operation |

2-4. Output data selection P-S Conversion 2 for DATASO terminal (SEL2, SEL5)

Default = 0

| Select Address | Value | Operation Description |
|----------------|-------|--------------------------------------|
| &h04 [5:4] | 0 | Sub data output after DSP operation |
| | 1 | Main data output after DSP operation |
| | 2 | Data output before DSP operation |
| | 3 | Data output from DF1 |

2-5. P-S Conversion 2 output data option (DATASO, ERR1_LRC, ERR2_BCK)

Usually, from a DATASO terminal, the result of the Sub output process of DSP is outputted to the timing (LRCKO, BCKO) which synchronized with DATAMO.

Moreover, if this output option is set up, it will enable DATAMO to output the data of DF1 as independent data from a DATASO terminal as a 3 line serial output with ERR1_LRC (LRCK) and ERR2_BCK (BCK).

This function is used when doing a line out output using external DAC.

Default = 0

| Select Address | Value | Operation Description |
|----------------|-------|--|
| &h0E [7] | 0 | Synchronous output with DATAMO (LRCKO, BCKO) |
| | 1 | Asynchronous output with DATAMO (ERR1_LRC, ERR2_BCK) |

If this function is used, the monitor of the error flag from ERROR1 and ERROR2 terminal will not be made.

2-6. Output data selecting of SPDIFO terminal (SEL1, SEL7)

Default = 0

| Select Address | Value | Operation Description |
|----------------|-------|---|
| &h05 [3:0] | 0 | Data output before DSP operation |
| | 1 | Main data output after DSP operation |
| | 2 | Sub data output after DSP operation |
| | 3 | Output data from I2S_IN1 (Only data of S/PDIF form) |
| | 4 | Output data from I2S_IN2 (Only data of S/PDIF form) |
| | 5 | Output data from I2S_IN3 (Only data of S/PDIF form) |
| | 6 | Output data from I2S_IN4 (Only data of S/PDIF form) |

2-7. Output data selecting DF1+ $\Delta\Sigma$ DAC (SEL3)

Default = 0

| Select Address | Value | Operation Description |
|----------------|-------|---|
| &h06 [2:0] | 0 | Output data from S-P conversion 1 (Refer to &h03 [5:4]) |
| | 1 | Output data from S-P conversion 2 (Refer to &h03 [1:0]) |
| | 2 | Data output before DSP operation |
| | 3 | Main data output after DSP operation |
| | 4 | Sub data output after DSP operation |

2-8. Output data selecting DF2+16bitDAC (SEL4)

Default = 0

| Select Address | Value | Operation Description |
|----------------|-------|---|
| &h06 [6:4] | 0 | Output data from S-P conversion 1 (Refer to &h03 [5:4]) |
| | 1 | Output data from S-P conversion 2 (Refer to &h03 [1:0]) |
| | 2 | Data output before DSP operation |
| | 3 | Main data output after DSP operation |
| | 4 | Sub data output after DSP operation |

2-9. Output clock selecting AMCLKO terminal (SEL8)

Default = 0

| Select Address | Value | Operation Description |
|----------------|-------|--|
| &h07 [3:0] | 0 | Output the 256fs (12.288MHz) clock of an input from the XI terminal. |
| | 1 | Output the 256fs clock made from PLL1 |
| | 2 | Output the 256fs clock made from PLL2 |
| | 3 | Output the 512fs (24.576MHz) clock of an input from the XI terminal. |
| | 4 | Output the 512fs clock made from PLL1 |
| | 5 | Output the 512fs clock made from PLL2 |
| | 6 | Output the 128fs (6.144MHz) clock of an input from the XI terminal. |
| | 7 | Output the 128fs clock made from PLL1 |
| | 8 | Output the 128fs clock made from PLL2 |

There are three system clocks used by ASRC of BU9408KS2, DSP, the P-S conversion 1, the P-S conversion 2, a SPDIF output part, DF1+sigma-delta DAC, and DF2+16bit DAC.

One is a 24.576MHz (512fs) system clock from XI terminal, and other two are a clock of 512fs made from PLL1 or PLL2.

2-10. System Clock Selecting of Input Part of ASRC (it is Used for up sampling) (Dotted line ①)

Default = 0

| Select Address | Value | Operation Description |
|----------------|-------|---|
| &h08 [0] | 0 | The 24.576MHz (512fs) system clock from the XI terminal |
| | 1 | The clock of 512fs made from PLL1 of the S-P conversion 1 |

2-11. The output part of ASRC (it is used for down sampling), DSP, P-S conversion 1, system clock selecting of a SPDIF output part (Dotted line ②)

Default = 0

| Select Address | Value | Operation Description |
|----------------|-------|---|
| &h08 [4] | 0 | The 24.576MHz (512fs) system clock from the XI terminal |
| | 1 | The clock of 512fs made from PLL1 of the S-P conversion 1 |

2-12. System Clock Selecting of DF1+ $\Delta\Sigma$ DAC (Dotted line ③)

Default = 0

| Select Address | Value | Operation Description |
|----------------|-------|---|
| &h0A [1:0] | 0 | The 24.576MHz (512fs) system clock from the XI terminal |
| | 1 | The clock of 512fs made from PLL1 of the S-P conversion 1 |
| | 2 | The clock of 512fs made from PLL2 of the S-P conversion 2 |

2-13. System Clock Selecting DF2+16bit DAC (Dotted line ④)

Default = 0

| Select Address | Value | Operation Description |
|----------------|-------|---|
| &h0A [5:4] | 0 | The 24.576MHz (512fs) system clock from the XI terminal |
| | 1 | The clock of 512fs made from PLL1 of the S-P conversion 1 |
| | 2 | The clock of 512fs made from PLL2 of the S-P conversion 2 |

When using DATASO as an asynchronous output to DATAMO, it sets up system clock selecting of the P-S conversion 2 by this command. (Dotted line ⑤)

3. S-P Conversion 1 and S-P Conversion 2

BU9408KS2 has two built-in serial-parallel conversion circuits. (S-P Conversion 1 and S-P Conversion 2)

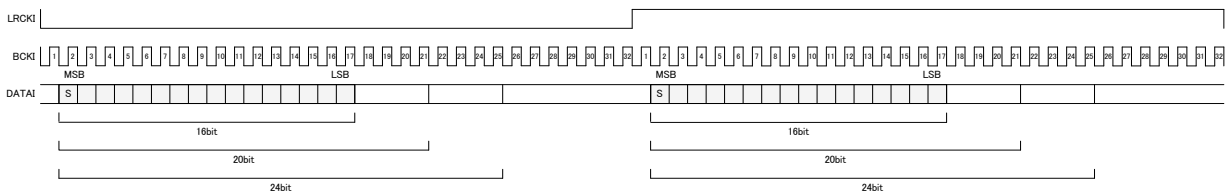
S-P conversions 1 and 2 are blocks which receive 3-line serial input audio data from pins and convert it to parallel data.

Input from DATA1, BCKI1 and LRCKI1 (pins 43, 42 and 41), DATAI2, BCKI2 and LRCKI2 (pins 46, 45, and 44), DATAI3, BCKI3 and LRCKI3 (pins 49, 48 and 47), and DATAI4, BCKI4 and LRCKI4 (pins 52, 51 and 50) are selected.

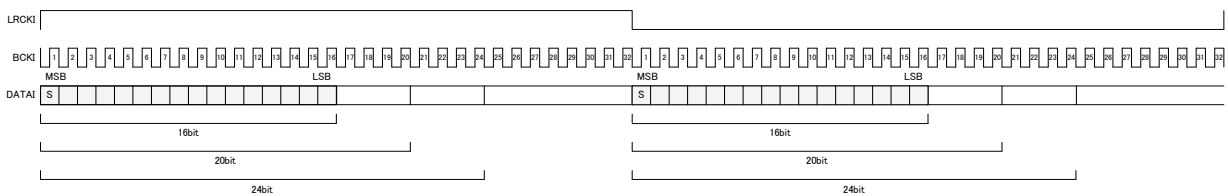
The three input formats are IIS, left-justified and right-justified. The bit clock frequency may be selected from either 64fs or 48fs, but when 48fs is selected, the input format is always right-justified. 16bit, 20bit and 24bit output may be selected for each format.

Below are the timing charts for each transfer format.

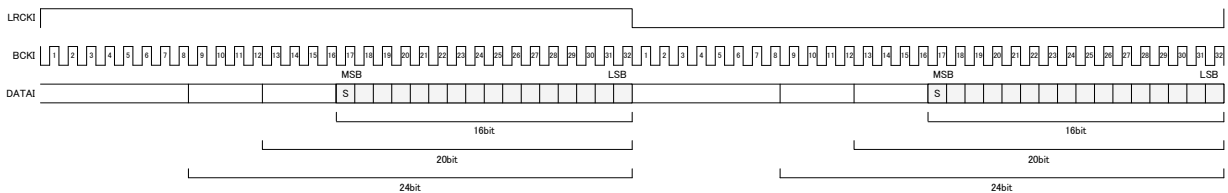
IIS Format



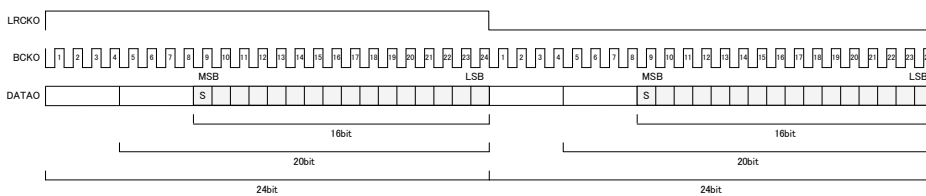
Left-Justified Format



Right-Justified Format



48fs



3-1. Bit Clock Frequency Configuration for 3-line Serial Input

Default = 0

| Select Address | Value | Operation Description |
|---------------------------|-------|-----------------------|
| S-P Conversion 1 &h0B [4] | 0 | 64fs format |
| S-P Conversion 2 &h0C [4] | 1 | 48fs format |

3-2. Format Configuration for 3-line Serial Input

Default = 0

| Select Address | Value | Operation Description |
|-----------------------------|-------|------------------------|
| S-P Conversion 1 &h0B [3:2] | 0 | IIS format |
| S-P Conversion 2 &h0C [3:2] | 1 | Left-justified format |
| | 2 | Right-justified format |

3-3. Data Bit Width Configuration for 3-line Serial Input

Default = 0

| Select Address | Value | Operation Description |
|-----------------------------|-------|-----------------------|
| S-P Conversion 1 &h0B [1:0] | 0 | 16 bit |
| S-P Conversion 2 &h0C [1:0] | 1 | 20 bit |
| | 2 | 24 bit |

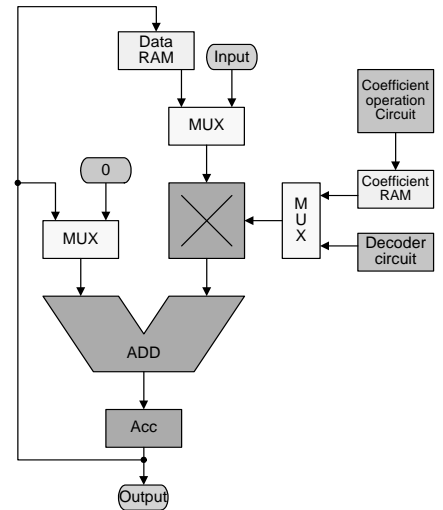
4. Digital Sound Processing (DSP)

BU9408KS2's Digital Sound Processing (DSP) consists of special hardware most suitable to Thin TV. BU9408KS2 uses this special DSP to perform the following processing.

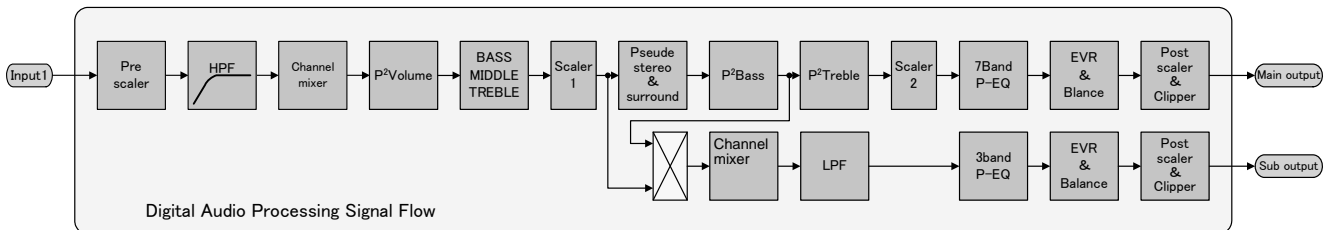
Prescaler, DC cut HPF, Channel Mixer, P²Volume (Perfect Pure Volume), BASS, MIDDLE, TREBLE, Pseudo Stereo, Surround, P²Bass, P²Treble, 7 Band Parametric Equalizer, Master Volume, L/R Balance, PostScaler, Output Clipper, Sub-woofer output Processing.

DSP Outline and Signal Flow

- Data width: 32 bit (DATA RAM)
- Machine cycle: 40.7ns (512fs, fs=48kHz)
- Multiplier: 32x24 → 56 bit
- Adder: 32+32 → 32 bit
- Data RAM: 256x32 bit
- Coefficient RAM: 128x24 bit
- Sampling frequency: fs=48kHz
- Master clock: 512fs (24.576MHz, fs=48kHz)



Digital signal from 16bit to 24bit is inputted to DSP, and it is extended by +8bit (+42dB) as overflow margin on the upper side. The clip process is performed in DSP when the process exceeding this range is performed.



4-1. Prescaler

When digital signal is inputted to audio DSP, if the level is full scale input and the process of surround or equalizer is performed, then it overflows, therefore the input gain is adjusted by prescaler.

Adjustable range is +24dB to -103dB and can be set by the step of 0.5dB.

Prescaler does not incorporate the smooth transition function.

Default = 30h

| Select Address | Operational explanation | | | | | | | | | | | | | | | | | | | | |
|----------------|---|---------|------|----|-------|----|---------|---|---|----|-----|----|--------|----|------|---|---|----|--------|----|----|
| &h20 [7:0] | <table border="1"> <thead> <tr> <th>command</th> <th>gain</th> </tr> </thead> <tbody> <tr> <td>00</td> <td>+24dB</td> </tr> <tr> <td>01</td> <td>+23.5dB</td> </tr> <tr> <td>⋮</td> <td>⋮</td> </tr> <tr> <td>30</td> <td>0dB</td> </tr> <tr> <td>31</td> <td>-0.5dB</td> </tr> <tr> <td>32</td> <td>-1dB</td> </tr> <tr> <td>⋮</td> <td>⋮</td> </tr> <tr> <td>FE</td> <td>-103dB</td> </tr> <tr> <td>FF</td> <td>-∞</td> </tr> </tbody> </table> | command | gain | 00 | +24dB | 01 | +23.5dB | ⋮ | ⋮ | 30 | 0dB | 31 | -0.5dB | 32 | -1dB | ⋮ | ⋮ | FE | -103dB | FF | -∞ |
| command | gain | | | | | | | | | | | | | | | | | | | | |
| 00 | +24dB | | | | | | | | | | | | | | | | | | | | |
| 01 | +23.5dB | | | | | | | | | | | | | | | | | | | | |
| ⋮ | ⋮ | | | | | | | | | | | | | | | | | | | | |
| 30 | 0dB | | | | | | | | | | | | | | | | | | | | |
| 31 | -0.5dB | | | | | | | | | | | | | | | | | | | | |
| 32 | -1dB | | | | | | | | | | | | | | | | | | | | |
| ⋮ | ⋮ | | | | | | | | | | | | | | | | | | | | |
| FE | -103dB | | | | | | | | | | | | | | | | | | | | |
| FF | -∞ | | | | | | | | | | | | | | | | | | | | |

4-2. DC cut HPF

The DC offset component of digital signal inputted to the audio DSP is cut by this HPF.

The cut off frequency (fc) of HPF is 1Hz, and first-order filter is used.

Default = 0

| Select Address | Value | Operational explanation |
|----------------|-------|--------------------------|
| &h21 [0] | 0 | Not using the DC cut HPF |
| | 1 | Using the DC cut HPF |

4-3. Channel mixer

It performs the setting of mixing the sounds of left channel & right channel of digital signal inputted to the audio DSP.

Here the stereo signal is made to be monaural.

The data inputted to Lch of DSP is mixed.

Default = 0

| Select Address | Value | Operational explanation |
|----------------|-------|---------------------------------------|
| &h22 [7:6] | 0 | Inputting the Lch data |
| | 1 | Inputting the data of (Lch + Rch) / 2 |
| | 2 | Inputting the data of (Lch + Rch) / 2 |
| | 3 | Inputting the Rch data |

The data inputted to Rch of DSP is mixed.

Default = 0

| Select Address | Value | Operational explanation |
|----------------|-------|---------------------------------------|
| &h22 [5:4] | 0 | Inputting the Rch data |
| | 1 | Inputting the data of (Lch + Rch) / 2 |
| | 2 | Inputting the data of (Lch + Rch) / 2 |
| | 3 | Inputting the Lch data |

4-4. P²Volume (Perfect Pure Volume)

There are some scenes in which sound suddenly becomes large like plosive sound in TV Commercial or Movie. P²Volume function automatically controls the volume and adjusts the output level. In addition, it also adjusts in such a way that a whispery sound can be heard easily.

P²Volume function operates in the fields of (1), (2) & (3) divided according to input level.

(1) at the time of $V_{I\ inf(-\infty)} \sim V_{I\ min}$

Noise is prevented from being lifted by P²Volume function.

(2) When input level is over $V_{I\ min}$ and output is below $V_{O\ max}$

$$V_O = V_I + \alpha$$

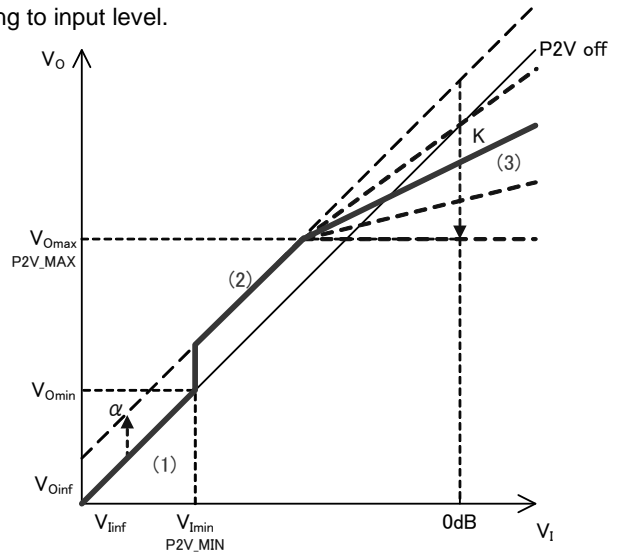
α : Lifting the Whole output level by the offset value α

(3) When output level V_O exceeds $V_{O\ max}$

$$V_O = K \cdot V_I + \alpha$$

K : Slope for suppressing of D range (P2V_K)

It is also possible to set an output level constant.



Selection of using the P²Volume function.

Default = 0

| Select Address | Value | Operational explanation |
|----------------|-------|--|
| &h33 [7] | 0 | Not using the P ² Volume function |
| | 1 | Using the P ² Volume function |

Setting of $V_{I\ min}$

In order to cancel that noise etc. is lifted by P²Volume, the P2V_MIN sets the minimum level at which (to the minimum) the P²Volume functions.

command

Default = 00h

| Select Address | Operational explanation | | | | | | | |
|----------------|-------------------------|-------|---------|-------|---------|-------|-------|-------|
| &h34 [4:0] | command | gain | command | gain | command | gain | コマンド値 | ゲイン |
| | 00 | -∞ | 08 | -44dB | 10 | -60dB | 18 | -76dB |
| | 01 | -30dB | 09 | -46dB | 11 | -62dB | 19 | -78dB |
| | 02 | -32dB | 0A | -48dB | 12 | -64dB | 1A | -80dB |
| | 03 | -34dB | 0B | -50dB | 13 | -66dB | 1B | -82dB |
| | 04 | -36dB | 0C | -52dB | 14 | -68dB | 1C | -84dB |
| | 05 | -38dB | 0D | -54dB | 15 | -70dB | 1D | -86dB |
| | 06 | -40dB | 0E | -56dB | 16 | -72dB | 1E | -88dB |
| 07 | -42dB | 0F | -58dB | 17 | -74dB | 1F | -90dB | |

Setting of $V_{O\ max}$

P2V_MAX sets the output suppression level. It represents the output level $V_{O\ max}$ at the time of input level $V_I = 0dB$ in the case of setting of P2V_K = "0h" (slope is 0).

Default = 00h

| Select Address | Operational explanation | | | | | | | |
|----------------|-------------------------|------|---------|-------|---------|-------|---------|-------|
| &h35 [4:0] | command | gain | command | gain | command | gain | command | gain |
| | 00 | 0dB | 08 | -8dB | 10 | -16dB | 18 | -24dB |
| | 01 | -1dB | 09 | -9dB | 11 | -17dB | 19 | -25dB |
| | 02 | -2dB | 0A | -10dB | 12 | -18dB | 1A | -26dB |
| | 03 | -3dB | 0B | -11dB | 13 | -19dB | 1B | -27dB |
| | 04 | -4dB | 0C | -12dB | 14 | -20dB | 1C | -28dB |
| | 05 | -5dB | 0D | -13dB | 15 | -21dB | 1D | -29dB |
| | 06 | -6dB | 0E | -14dB | 16 | -22dB | 1E | -30dB |
| 07 | -7dB | 0F | -15dB | 17 | -23dB | 1F | - | |

Setting of K

P2V_K sets the slope of D range. It sets the P2V_MAX = "1Eh" (-30dB) and represents the output level V_{Omax} at the time of input level $V_I = 0dB$.

Default = 00h

| Select Address | Operational explanation | | | | | | | | | | | | | | | | | | | | | | | | | | | | | | | | | | | | |
|----------------|---|---------|-------|--------|------|---|-------|---|-------|---|-------|---|-------|---|-------|---|-------|---|-------|---|------|---|-------|---|------|---|-------|---|------|---|-------|---|------|---|-------|---|-----|
| &h36 [3:0] | <table border="1"> <thead> <tr> <th>command</th> <th>gain</th> <th>comman</th> <th>gain</th> </tr> </thead> <tbody> <tr><td>0</td><td>-30dB</td><td>8</td><td>-14dB</td></tr> <tr><td>1</td><td>-28dB</td><td>9</td><td>-12dB</td></tr> <tr><td>2</td><td>-26dB</td><td>A</td><td>-10dB</td></tr> <tr><td>3</td><td>-24dB</td><td>B</td><td>-8dB</td></tr> <tr><td>4</td><td>-22dB</td><td>C</td><td>-6dB</td></tr> <tr><td>5</td><td>-20dB</td><td>D</td><td>-4dB</td></tr> <tr><td>6</td><td>-18dB</td><td>E</td><td>-2dB</td></tr> <tr><td>7</td><td>-16dB</td><td>F</td><td>0dB</td></tr> </tbody> </table> | command | gain | comman | gain | 0 | -30dB | 8 | -14dB | 1 | -28dB | 9 | -12dB | 2 | -26dB | A | -10dB | 3 | -24dB | B | -8dB | 4 | -22dB | C | -6dB | 5 | -20dB | D | -4dB | 6 | -18dB | E | -2dB | 7 | -16dB | F | 0dB |
| command | gain | comman | gain | | | | | | | | | | | | | | | | | | | | | | | | | | | | | | | | | | |
| 0 | -30dB | 8 | -14dB | | | | | | | | | | | | | | | | | | | | | | | | | | | | | | | | | | |
| 1 | -28dB | 9 | -12dB | | | | | | | | | | | | | | | | | | | | | | | | | | | | | | | | | | |
| 2 | -26dB | A | -10dB | | | | | | | | | | | | | | | | | | | | | | | | | | | | | | | | | | |
| 3 | -24dB | B | -8dB | | | | | | | | | | | | | | | | | | | | | | | | | | | | | | | | | | |
| 4 | -22dB | C | -6dB | | | | | | | | | | | | | | | | | | | | | | | | | | | | | | | | | | |
| 5 | -20dB | D | -4dB | | | | | | | | | | | | | | | | | | | | | | | | | | | | | | | | | | |
| 6 | -18dB | E | -2dB | | | | | | | | | | | | | | | | | | | | | | | | | | | | | | | | | | |
| 7 | -16dB | F | 0dB | | | | | | | | | | | | | | | | | | | | | | | | | | | | | | | | | | |

Setting of α

P2V_OFS makes small voice easy to be heard because the whole output level is lifted.

Default = 00h

| Select Address | Operational explanation | | | | | | | | | | | | | | | | | | | | | | | | | | | | | | | | | | | | | | | | | | | | | | | | | | | | | | | | | | | | | | | | | | | | | | | | |
|----------------|---|---------|-------|---------|-------|---------|-------|---------|------|----|-----|----|------|----|-------|----|-------|----|------|----|------|----|-------|----|---|----|------|----|-------|----|-------|----|---|----|------|----|-------|----|-------|----|---|----|------|----|-------|----|-------|----|---|----|------|----|-------|----|-------|----|---|----|------|----|-------|----|-------|----|---|----|------|----|-------|----|-------|----|---|
| &h37 [4:0] | <table border="1"> <thead> <tr> <th>command</th> <th>gain</th> <th>command</th> <th>gain</th> <th>command</th> <th>gain</th> <th>command</th> <th>gain</th> </tr> </thead> <tbody> <tr><td>00</td><td>0dB</td><td>08</td><td>+8dB</td><td>10</td><td>+16dB</td><td>18</td><td>+24dB</td></tr> <tr><td>01</td><td>+1dB</td><td>09</td><td>+9dB</td><td>11</td><td>+17dB</td><td>19</td><td>-</td></tr> <tr><td>02</td><td>+2dB</td><td>0A</td><td>+10dB</td><td>12</td><td>+18dB</td><td>1A</td><td>-</td></tr> <tr><td>03</td><td>+3dB</td><td>0B</td><td>+11dB</td><td>13</td><td>+19dB</td><td>1B</td><td>-</td></tr> <tr><td>04</td><td>+4dB</td><td>0C</td><td>+12dB</td><td>14</td><td>+20dB</td><td>1C</td><td>-</td></tr> <tr><td>05</td><td>+5dB</td><td>0D</td><td>+13dB</td><td>15</td><td>+21dB</td><td>1D</td><td>-</td></tr> <tr><td>06</td><td>+6dB</td><td>0E</td><td>+14dB</td><td>16</td><td>+22dB</td><td>1E</td><td>-</td></tr> <tr><td>07</td><td>+7dB</td><td>0F</td><td>+15dB</td><td>17</td><td>+23dB</td><td>1F</td><td>-</td></tr> </tbody> </table> | command | gain | command | gain | command | gain | command | gain | 00 | 0dB | 08 | +8dB | 10 | +16dB | 18 | +24dB | 01 | +1dB | 09 | +9dB | 11 | +17dB | 19 | - | 02 | +2dB | 0A | +10dB | 12 | +18dB | 1A | - | 03 | +3dB | 0B | +11dB | 13 | +19dB | 1B | - | 04 | +4dB | 0C | +12dB | 14 | +20dB | 1C | - | 05 | +5dB | 0D | +13dB | 15 | +21dB | 1D | - | 06 | +6dB | 0E | +14dB | 16 | +22dB | 1E | - | 07 | +7dB | 0F | +15dB | 17 | +23dB | 1F | - |
| command | gain | command | gain | command | gain | command | gain | | | | | | | | | | | | | | | | | | | | | | | | | | | | | | | | | | | | | | | | | | | | | | | | | | | | | | | | | | | | | | | | | | |
| 00 | 0dB | 08 | +8dB | 10 | +16dB | 18 | +24dB | | | | | | | | | | | | | | | | | | | | | | | | | | | | | | | | | | | | | | | | | | | | | | | | | | | | | | | | | | | | | | | | | | |
| 01 | +1dB | 09 | +9dB | 11 | +17dB | 19 | - | | | | | | | | | | | | | | | | | | | | | | | | | | | | | | | | | | | | | | | | | | | | | | | | | | | | | | | | | | | | | | | | | | |
| 02 | +2dB | 0A | +10dB | 12 | +18dB | 1A | - | | | | | | | | | | | | | | | | | | | | | | | | | | | | | | | | | | | | | | | | | | | | | | | | | | | | | | | | | | | | | | | | | | |
| 03 | +3dB | 0B | +11dB | 13 | +19dB | 1B | - | | | | | | | | | | | | | | | | | | | | | | | | | | | | | | | | | | | | | | | | | | | | | | | | | | | | | | | | | | | | | | | | | | |
| 04 | +4dB | 0C | +12dB | 14 | +20dB | 1C | - | | | | | | | | | | | | | | | | | | | | | | | | | | | | | | | | | | | | | | | | | | | | | | | | | | | | | | | | | | | | | | | | | | |
| 05 | +5dB | 0D | +13dB | 15 | +21dB | 1D | - | | | | | | | | | | | | | | | | | | | | | | | | | | | | | | | | | | | | | | | | | | | | | | | | | | | | | | | | | | | | | | | | | | |
| 06 | +6dB | 0E | +14dB | 16 | +22dB | 1E | - | | | | | | | | | | | | | | | | | | | | | | | | | | | | | | | | | | | | | | | | | | | | | | | | | | | | | | | | | | | | | | | | | | |
| 07 | +7dB | 0F | +15dB | 17 | +23dB | 1F | - | | | | | | | | | | | | | | | | | | | | | | | | | | | | | | | | | | | | | | | | | | | | | | | | | | | | | | | | | | | | | | | | | | |

Setting 1 of transition time at the time of attack

A_RATE is the setting of transition time when the state of P²Volume function is transited to (2)→(3).

Default = 0

| Select Address | Operational explanation | | | | | | | | | | | | | | | | | | | | |
|----------------|---|---------|-------------|---------|-------------|---|-----|---|-----|---|-----|---|------|---|-----|---|------|---|-----|---|------|
| &h38 [6:4] | <table border="1"> <thead> <tr> <th>command</th> <th>A_RATE time</th> <th>command</th> <th>A_RATE time</th> </tr> </thead> <tbody> <tr><td>0</td><td>1ms</td><td>4</td><td>5ms</td></tr> <tr><td>1</td><td>2ms</td><td>5</td><td>10ms</td></tr> <tr><td>2</td><td>3ms</td><td>6</td><td>20ms</td></tr> <tr><td>3</td><td>4ms</td><td>7</td><td>40ms</td></tr> </tbody> </table> | command | A_RATE time | command | A_RATE time | 0 | 1ms | 4 | 5ms | 1 | 2ms | 5 | 10ms | 2 | 3ms | 6 | 20ms | 3 | 4ms | 7 | 40ms |
| command | A_RATE time | command | A_RATE time | | | | | | | | | | | | | | | | | | |
| 0 | 1ms | 4 | 5ms | | | | | | | | | | | | | | | | | | |
| 1 | 2ms | 5 | 10ms | | | | | | | | | | | | | | | | | | |
| 2 | 3ms | 6 | 20ms | | | | | | | | | | | | | | | | | | |
| 3 | 4ms | 7 | 40ms | | | | | | | | | | | | | | | | | | |

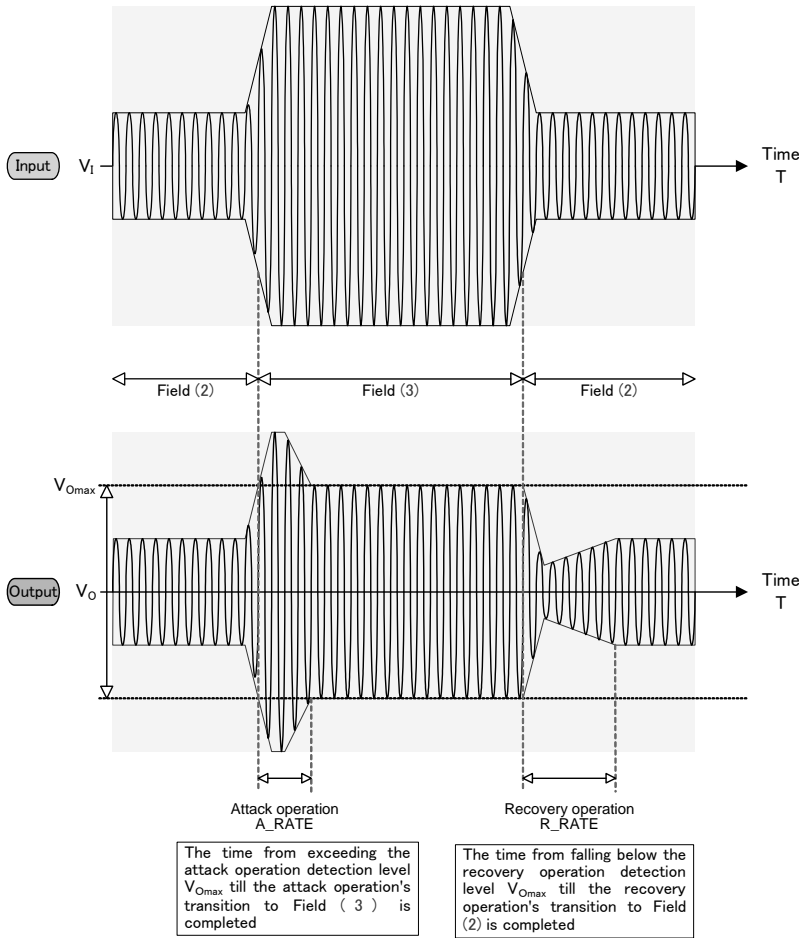
Setting 1 of transition time at the time of recovery

R_RATE is the setting of transition time when the state of P²Volume function is transited to (3)→(2).

Default = 0h

| Select Address | Operational explanation | | | | | | | | | | | | | | | | | | | | | | | | | | | | | | | | | | | | |
|----------------|--|---------|-------------|---------|-------------|---|-------|---|----|---|------|---|----|---|-------|---|----|---|----|---|----|---|-------|---|----|---|------|---|----|---|----|---|----|---|------|---|-----|
| &h38 [3:0] | <table border="1"> <thead> <tr> <th>command</th> <th>R_RATE time</th> <th>command</th> <th>R_RATE time</th> </tr> </thead> <tbody> <tr><td>0</td><td>0.25s</td><td>8</td><td>3s</td></tr> <tr><td>1</td><td>0.5s</td><td>9</td><td>4s</td></tr> <tr><td>2</td><td>0.75s</td><td>A</td><td>5s</td></tr> <tr><td>3</td><td>1s</td><td>B</td><td>6s</td></tr> <tr><td>4</td><td>1.25s</td><td>C</td><td>7s</td></tr> <tr><td>5</td><td>1.5s</td><td>D</td><td>8s</td></tr> <tr><td>6</td><td>2s</td><td>E</td><td>9s</td></tr> <tr><td>7</td><td>2.5s</td><td>F</td><td>10s</td></tr> </tbody> </table> | command | R_RATE time | command | R_RATE time | 0 | 0.25s | 8 | 3s | 1 | 0.5s | 9 | 4s | 2 | 0.75s | A | 5s | 3 | 1s | B | 6s | 4 | 1.25s | C | 7s | 5 | 1.5s | D | 8s | 6 | 2s | E | 9s | 7 | 2.5s | F | 10s |
| command | R_RATE time | command | R_RATE time | | | | | | | | | | | | | | | | | | | | | | | | | | | | | | | | | | |
| 0 | 0.25s | 8 | 3s | | | | | | | | | | | | | | | | | | | | | | | | | | | | | | | | | | |
| 1 | 0.5s | 9 | 4s | | | | | | | | | | | | | | | | | | | | | | | | | | | | | | | | | | |
| 2 | 0.75s | A | 5s | | | | | | | | | | | | | | | | | | | | | | | | | | | | | | | | | | |
| 3 | 1s | B | 6s | | | | | | | | | | | | | | | | | | | | | | | | | | | | | | | | | | |
| 4 | 1.25s | C | 7s | | | | | | | | | | | | | | | | | | | | | | | | | | | | | | | | | | |
| 5 | 1.5s | D | 8s | | | | | | | | | | | | | | | | | | | | | | | | | | | | | | | | | | |
| 6 | 2s | E | 9s | | | | | | | | | | | | | | | | | | | | | | | | | | | | | | | | | | |
| 7 | 2.5s | F | 10s | | | | | | | | | | | | | | | | | | | | | | | | | | | | | | | | | | |

Explanation of A_RATE,R_RATE(field transition of (2)->(3))



Setting 1 of attack detection time

A_TIME is the setting of the initiation of P²Volume function's transition operation. If output level at the time of transiting to (2)→(3) continues for more then A_TIME time in succession, then the state transition of P²Volume is started.

Default = 0

| Select Address | Operational explanation | | | |
|----------------|-------------------------|--------|---------|--------|
| &h39 [6:4] | command | A_TIME | command | A_TIME |
| | 0 | 0.5ms | 4 | 3ms |
| | 1 | 1ms | 5 | 4ms |
| | 2 | 1.5ms | 6 | 5ms |
| | 3 | 2ms | 7 | 6ms |

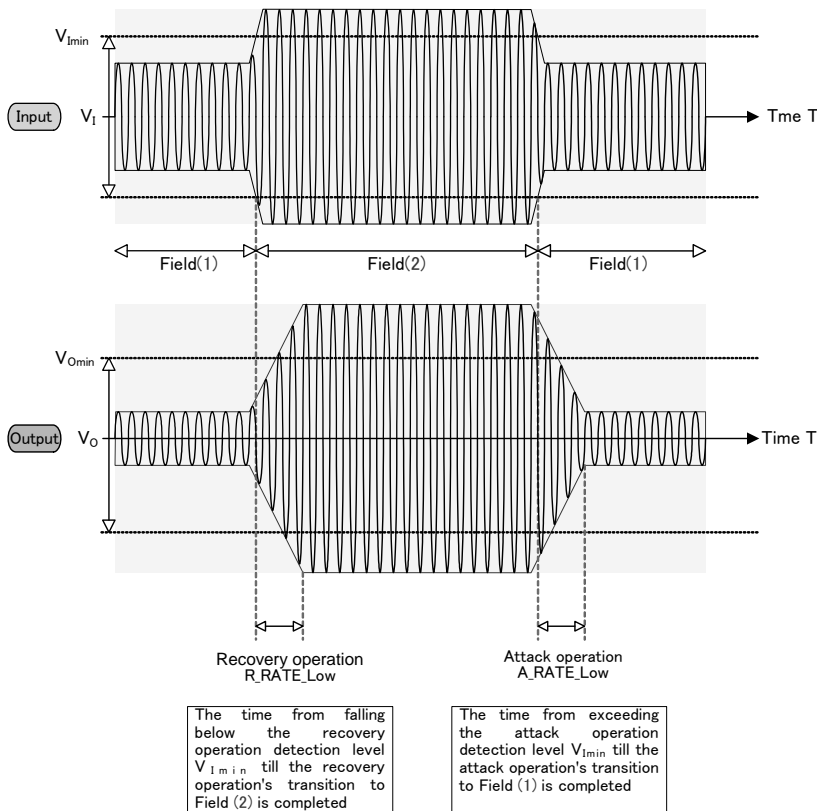
Setting 1 of recovery detection time

R_TIME is the setting of the initiation of P²Volume function's transition operation. If output level at the time of transiting to (3)→(2) continues for more then R_TIME time in succession, then the state transition of P²Volume is started.

Default = 0

| Select Address | Operational explanation | | | |
|----------------|-------------------------|--------|---------|--------|
| &h39 [2:0] | command | R_TIME | command | R_TIME |
| | 0 | 50ms | 4 | 300ms |
| | 1 | 100ms | 5 | 400ms |
| | 2 | 150ms | 6 | 500ms |
| | 3 | 200ms | 7 | 600ms |

Explanation of A_RATE_Low,R_RATE_Low(field transition of (1)<->(2))



Setting 2 of the transition time at the time of attack

A_RATE_LOW is the setting of transition time when the state of P²Volume function is transited to (2)→(1).

Default = 0

| Select Address | Operational explanation | | | |
|----------------|-------------------------|-----------------|---------|-----------------|
| | Command | A_RATE_LOW Time | Command | A_RATE_LOW Time |
| &h3A [6:4] | 0 | 1ms | 4 | 5ms |
| | 1 | 2ms | 5 | 10ms |
| | 2 | 3ms | 6 | 20ms |
| | 3 | 4ms | 7 | 40ms |

Setting 2 of the transition time at the time of recovery

R_RATE_LOW is the setting of transition time when the state of P²Volume function is transited to (1)→(2).

Default = 0 (Caution) This setting value is not reflected in BU9408KS2. The value of &h38 [3:0] is set up.

| Select Address | Operational explanation | | | |
|----------------|-------------------------|-----------------|---------|-----------------|
| | Command | R_RATE_LOW Time | Command | R_RATE_LOW Time |
| &h3A [2:0] | 0 | 1ms | 4 | 5ms |
| | 1 | 2ms | 5 | 10ms |
| | 2 | 3ms | 6 | 20ms |
| | 3 | 4ms | 7 | 40ms |

Setting 2 of attack recovery detection time

AR_TIME_LOW is the setting of the initiation of P²Volume function's transition operation. If output level at the time of transiting to (1)<->(2) continues for more then AR_TIME time in succession, then the state transition of P²Volume is started.

Default = 0

| Select Address | Operational explanation | | | |
|----------------|-------------------------|-------------|---------|-------------|
| | Command | AR_TIME_LOW | Command | AR_TIME_LOW |
| &h3B [6:4] | 0 | 0.5ms | 4 | 3ms |
| | 1 | 1ms | 5 | 4ms |
| | 2 | 1.5ms | 6 | 5ms |
| | 3 | 2ms | 7 | 6ms |

oPulse sound detection and High-speed recovery function (functioning only at the time of transition of (2)↔(3))

P²Volume function makes the P²Volume also compatible with large pulse sounds (clapping of hands, fireworks & shooting etc.) in addition to normal P²Volume operation. When large pulse sound is inputted, attack operation (A_RATE) or recovery operation (R_RATE) is performed at 4 or 8 times the speed of normal attack operation or recovery operation.

Selection of using the pulse sound detection function.

Default = 0

| Select Address | Value | Operational explanation |
|----------------|-------|---|
| &h3BC [7] | 0 | Not using of pulse sound detection function |
| | 1 | Using of pulse sound detection function |

Selection of operating times of Recovery Time (R_RATE) in the case of using the pulse sound detection function

Default = 0

| Select Address | Value | Operational explanation |
|----------------|-------|--|
| &h3C [3] | 0 | Operating at 4 times the speed corresponding to the setting time of R_RATE |
| | 1 | Operating at 8 times the speed corresponding to the setting time of R_RATE |

Selection of pulse sound detection time

Default = 0

| Select Address | Operational explanation | | | |
|----------------|-------------------------|----------------|---------|----------------|
| &h3C [6:4] | Command | Detection time | Command | Detection time |
| | 0 | 100us | 4 | 2ms |
| | 1 | 200us | 5 | 5ms |
| | 2 | 400us | 6 | 10ms |
| | 3 | 1ms | 7 | 20ms |

Setting of operating level of pulse sound detection function

Operation is started by the difference between the presently detected value and the last value as a standard.

Default = 0

| Select Address | Operational explanation | | | |
|----------------|-------------------------|-----------------|---------|-----------------|
| &h3C [2:0] | Command | Detection level | Command | Detection level |
| | 0 | Over 1.002 | 4 | Over 0.251 |
| | 1 | Over 0.709 | 5 | Over 0.178 |
| | 2 | Over 0.502 | 6 | Over 0.126 |
| | 3 | Over 0.355 | 7 | Over 0.089 |

Example) Present detection level A : -10dB → 10[∧](-10/20) = 0.32

The last detection level B : -30dB → 10[∧](-30/20) = 0.032

A – B : 0.32 – 0.032 = 0.288 → Operating by the setting of command "4" to "7".

4-5. BASS

BASS of TONE Control can use Peaking filter or Low-shelf filter.

The setting is converted, in the IC, into digital filter's coefficients (b0, b1, b2, a1, a2) by selecting the F_0 , Q and Gain, and transmitted to coefficient RAM. The switching shock noise at the time of alteration of setting can be prevented by the smooth transition function.

○BASS Control

Selection of filter types

Default = 0

| Select Address | Value | Operational explanation |
|----------------|-------|-------------------------|
| &h40 [7] | 0 | Peaking filter |
| | 1 | Low-shelf filter |

Selection of smooth transition function

Default = 0

| Select Address | Value | Operational explanation |
|----------------|-------|---|
| &h40 [6] | 0 | Using BASS smooth transition function |
| | 1 | Not BASS using smooth transition function |

Selection of smooth transition time

Default = 0

| Select Address | Value | Operational explanation |
|----------------|-------|-------------------------|
| &h40 [5:4] | 0 | 21.4ms |
| | 1 | 10.7ms |
| | 2 | 5.4ms |
| | 3 | 2.7ms |

Setting of smooth transition start

In the case of using the smooth transition function, after being transmitted, by the &h40[0] command, to the coefficient RAM for smooth transition, the alteration of BASS's coefficients is completed by using this command.

Default = 0

| Select Address | Value | Operational explanation |
|----------------|-------|------------------------------|
| &h4C [0] | 0 | BASS smooth transition stop |
| | 1 | BASS smooth transition start |

What is necessary is the time of waiting, which is more than the time selected by the setting of Bass smooth transition time, from the time the BASS smooth transition start (&h4C[0] = "1") is executed until the following command is sent. Please make sure to perform the Bass smooth transition stop (&h4C[0] = "0") after the smooth transition is completed.

Setting of the Start of transmitting to coefficient RAM

In the case of using the smooth transition, it is transmitted to the coefficient RAM for smooth transition. In the case of not using of the smooth transition, it is transmitted directly to the coefficient RAM.

Default = 0

| Select Address | Value | Operational explanation |
|----------------|-------|-------------------------------------|
| &h40 [0] | 0 | BASS coefficient transmission stop |
| | 1 | BASS coefficient transmission start |

Selection of frequency (F₀)

Default = 0Eh

| Select Address | Operational explanation | | | | | | | | | | | | | | | |
|----------------|-------------------------|-----------|---------|-----------|---------|-----------|---------|-----------|---------|-----------|---------|-----------|---------|-----------|---------|-----------|
| &h41 [5:0] | Command | Frequency | Command | Frequency | Command | Frequency | Command | Frequency | Command | Frequency | Command | Frequency | Command | Frequency | Command | Frequency |
| | 00 | 20Hz | 08 | 50Hz | 10 | 125Hz | 18 | 315Hz | 20 | 800Hz | 28 | 2kHz | 30 | 5kHz | 38 | 12.5kHz |
| | 01 | 22Hz | 09 | 56Hz | 11 | 140Hz | 19 | 350Hz | 21 | 900Hz | 29 | 2.2kHz | 31 | 5.6kHz | 39 | 14kHz |
| | 02 | 25Hz | 0A | 63Hz | 12 | 160Hz | 1A | 400Hz | 22 | 1kHz | 2A | 2.5kHz | 32 | 6.3kHz | 3A | 16kHz |
| | 03 | 28Hz | 0B | 70Hz | 13 | 180Hz | 1B | 450Hz | 23 | 1.1kHz | 2B | 2.8kHz | 33 | 7kHz | 3B | 18kHz |
| | 04 | 32Hz | 0C | 80Hz | 14 | 200Hz | 1C | 500Hz | 24 | 1.25kHz | 2C | 3.15kHz | 34 | 8kHz | 3C | 20kHz |
| | 05 | 35Hz | 0D | 90Hz | 15 | 220Hz | 1D | 560Hz | 25 | 1.4kHz | 2D | 3.5kHz | 35 | 9kHz | 3D | - |
| | 06 | 40Hz | 0E | 100Hz | 16 | 250Hz | 1E | 630Hz | 26 | 1.6kHz | 2E | 4kHz | 36 | 10kHz | 3E | - |
| 07 | 45Hz | 0F | 110Hz | 17 | 280Hz | 1F | 700Hz | 27 | 1.8kHz | 2F | 4.5kHz | 37 | 11kHz | 3F | - | |

Selection of quality factor (Q)

Default = 4h

| Select Address | Operational explanation | | | |
|----------------|-------------------------|----------------|---------|----------------|
| &h42 [3:0] | Command | Quality factor | Command | Quality factor |
| | 0 | 0.33 | 8 | 2.2 |
| | 1 | 0.43 | 9 | 2.7 |
| | 2 | 0.56 | A | 3.3 |
| | 3 | 0.75 | B | 3.9 |
| | 4 | 1.0 | C | 4.7 |
| | 5 | 1.2 | D | 5.6 |
| | 6 | 1.5 | E | 6.8 |
| 7 | 1.8 | F | 8.2 | |

Selection of Gain

Default = 40h

| Select Address | Operational explanation | |
|----------------|-------------------------|--------|
| &h43 [6:0] | Command | Gain |
| | 1C | -18dB |
| | : | : |
| | 3E | -1dB |
| | 3F | -0.5dB |
| | 40 | 0dB |
| | 41 | +0.5dB |
| | 42 | +1dB |
| | : | : |
| 64 | +18dB | |

If the coefficient of b₀, b₁, b₂, a₁, and a₂ exceeds ±4, it may not operate normally.

4-6. MIDDLE

MIDDLE of TONE Control uses Peaking filter.

The setting is converted, in the IC, into digital filter's coefficients (b0, b1, b2, a1, a2) by selecting the F, Q and Gain, and transmitted to coefficient RAM. The switching shock noise at the time of alteration of setting can be prevented by the smooth transition function.

○MIDDLE Control

Selection of smooth transition function

Default = 0

| Select Address | Value | Operational explanation |
|----------------|-------|---|
| &h44 [6] | 0 | Using MIDDLE smooth transition function |
| | 1 | Not MIDDLE using smooth transition function |

Selection of smooth transition time

Default = 0

| Select Address | Value | Operational explanation |
|----------------|-------|-------------------------|
| &h44 [5:4] | 0 | 21.4ms |
| | 1 | 10.7ms |
| | 2 | 5.4ms |
| | 3 | 2.7ms |

Setting of smooth transition start

In the case of using the smooth transition function, after being transmitted, by the &h44[0] command, to the coefficient RAM for smooth transition, the alteration of MIDDLE's coefficients is completed by using this command.

Default = 0

| Select Address | Value | Operational explanation |
|----------------|-------|--------------------------------|
| &h4C [1] | 0 | MIDDLE smooth transition stop |
| | 1 | MIDDLE smooth transition start |

What is necessary is the time of waiting, which is more than the time selected by the setting of MIDDLE smooth transition time, from the time the MIDDLE smooth transition start (&h4C[1] = "1") is executed until the following command is sent. Please make sure to perform the MIDDLE smooth transition stop (&h4C[1] = "0") after the smooth transition is completed.

Setting of the Start of transmitting to coefficient RAM

In the case of using the smooth transition, it is transmitted to the coefficient RAM for smooth transition. In the case of not using of the smooth transition, it is transmitted to the direct coefficient RAM.

Default = 0

| Select Address | Value | Operational explanation |
|----------------|-------|---------------------------------------|
| &h44 [0] | 0 | MIDDLE coefficient transmission stop |
| | 1 | MIDDLE coefficient transmission start |

Selection of frequency (F₀)

Default = 0Eh

| Select Address | Operational explanation | | | | | | | | | | | | | | | |
|----------------|-------------------------|-----------|---------|-----------|---------|-----------|---------|-----------|---------|-----------|---------|-----------|---------|-----------|---------|-----------|
| &h45 [5:0] | Command | Frequency | Command | Frequency | Command | Frequency | Command | Frequency | Command | Frequency | Command | Frequency | Command | Frequency | Command | Frequency |
| | 00 | 20Hz | 08 | 50Hz | 10 | 125Hz | 18 | 315Hz | 20 | 800Hz | 28 | 2kHz | 30 | 5kHz | 38 | 12.5kHz |
| | 01 | 22Hz | 09 | 56Hz | 11 | 140Hz | 19 | 350Hz | 21 | 900Hz | 29 | 2.2kHz | 31 | 5.6kHz | 39 | 14kHz |
| | 02 | 25Hz | 0A | 63Hz | 12 | 160Hz | 1A | 400Hz | 22 | 1kHz | 2A | 2.5kHz | 32 | 6.3kHz | 3A | 16kHz |
| | 03 | 28Hz | 0B | 70Hz | 13 | 180Hz | 1B | 450Hz | 23 | 1.1kHz | 2B | 2.8kHz | 33 | 7kHz | 3B | 18kHz |
| | 04 | 32Hz | 0C | 80Hz | 14 | 200Hz | 1C | 500Hz | 24 | 1.25kHz | 2C | 3.15kHz | 34 | 8kHz | 3C | 20kHz |
| | 05 | 35Hz | 0D | 90Hz | 15 | 220Hz | 1D | 560Hz | 25 | 1.4kHz | 2D | 3.5kHz | 35 | 9kHz | 3D | - |
| | 06 | 40Hz | 0E | 100Hz | 16 | 250Hz | 1E | 630Hz | 26 | 1.6kHz | 2E | 4kHz | 36 | 10kHz | 3E | - |
| 07 | 45Hz | 0F | 110Hz | 17 | 280Hz | 1F | 700Hz | 27 | 1.8kHz | 2F | 4.5kHz | 37 | 11kHz | 3F | - | |

Selection of quality factor (Q)

Default = 4h

| Select Address | Operational explanation | | | |
|----------------|-------------------------|----------------|---------|----------------|
| &h46 [3:0] | Command | Quality factor | Command | Quality factor |
| | 0 | 0.33 | 8 | 2.2 |
| | 1 | 0.43 | 9 | 2.7 |
| | 2 | 0.56 | A | 3.3 |
| | 3 | 0.75 | B | 3.9 |
| | 4 | 1.0 | C | 4.7 |
| | 5 | 1.2 | D | 5.6 |
| | 6 | 1.5 | E | 6.8 |
| 7 | 1.8 | F | 8.2 | |

Selection of Gain

Default = 40h

| Select Address | Operational explanation | |
|----------------|-------------------------|--------|
| &h47 [6:0] | Command | Gain |
| | 1C | -18dB |
| | ⋮ | ⋮ |
| | 3E | -1dB |
| | 3F | -0.5dB |
| | 40 | 0dB |
| | 41 | +0.5dB |
| | 42 | +1dB |
| | ⋮ | ⋮ |
| | 64 | +18dB |

If the coefficient of b₀, b₁, b₂, a₁, and a₂ exceeds ±4, it may not operate normally.

4-7. TREBLE

TREBLE of TONE Control can use Peaking filter or High-shelf filter.

The setting is converted, in the IC, into digital filter's coefficients (b0, b1, b2, a1, a2) by selecting the F₀, Q and Gain, and transmitted to coefficient RAM. The switching shock noise at the time of alteration of setting can be prevented by the smooth transition function.

○TREBLE Control

Selection of filter types

Default = 0

| Select Address | Value | Operational explanation |
|----------------|-------|-------------------------|
| &h48 [7] | 0 | Peaking filter |
| | 1 | High-shelf filter |

Selection of smooth transition function

Default = 0

| Select Address | Value | Operational explanation |
|----------------|-------|--------------------------------------|
| &h48 [6] | 0 | Using smooth transition function |
| | 1 | Not using smooth transition function |

Selection of smooth transition time

Default = 0

| Select Address | Value | Operational explanation |
|----------------|-------|-------------------------|
| &h48 [5:4] | 0 | 21.4ms |
| | 1 | 10.7ms |
| | 2 | 5.4ms |
| | 3 | 2.7ms |

Setting of smooth transition start

In the case of using the smooth transition function, after being transmitted, by the &h48[0] command, to the coefficient RAM for smooth transition, the alteration of TREBLE's coefficients is completed by using this command.

Default = 0

| Select Address | Value | Operational explanation |
|----------------|-------|--------------------------------|
| &h4C [2] | 0 | TREBLE smooth transition stop |
| | 1 | TREBLE smooth transition start |

What is necessary is the time of waiting, which is more than the time selected by the setting of TREBLE smooth transition time, from the time the TREBLE smooth transition start (&h4C[2] = "1") is executed until the following command is sent. Please make sure to perform the TREBLE smooth transition stop (&h4C[2] = "0") after the smooth transition is completed.

Setting of the Start of transmitting to coefficient RAM

In the case of using the smooth transition, it is transmitted to the coefficient RAM for smooth transition. In the case of not using of the smooth transition, it is transmitted to the direct coefficient RAM.

Default = 0

| Select Address | Value | Operational explanation |
|----------------|-------|---------------------------------------|
| &h48 [0] | 0 | TREBLE coefficient transmission stop |
| | 1 | TREBLE coefficient transmission start |

Selection of frequency (F₀)

Default = 0Eh

| Select Address | Operational explanation | | | | | | | | | | | | | | | |
|----------------|-------------------------|-----------|---------|-----------|---------|-----------|---------|-----------|---------|-----------|---------|-----------|---------|-----------|---------|-----------|
| &h49 [5:0] | Command | Frequency | Command | Frequency | Command | Frequency | Command | Frequency | Command | Frequency | Command | Frequency | Command | Frequency | Command | Frequency |
| | 00 | 20Hz | 08 | 50Hz | 10 | 125Hz | 18 | 315Hz | 20 | 800Hz | 28 | 2kHz | 30 | 5kHz | 38 | 12.5kHz |
| | 01 | 22Hz | 09 | 56Hz | 11 | 140Hz | 19 | 350Hz | 21 | 900Hz | 29 | 2.2kHz | 31 | 5.6kHz | 39 | 14kHz |
| | 02 | 25Hz | 0A | 63Hz | 12 | 160Hz | 1A | 400Hz | 22 | 1kHz | 2A | 2.5kHz | 32 | 6.3kHz | 3A | 16kHz |
| | 03 | 28Hz | 0B | 70Hz | 13 | 180Hz | 1B | 450Hz | 23 | 1.1kHz | 2B | 2.8kHz | 33 | 7kHz | 3B | 18kHz |
| | 04 | 32Hz | 0C | 80Hz | 14 | 200Hz | 1C | 500Hz | 24 | 1.25kHz | 2C | 3.15kHz | 34 | 8kHz | 3C | 20kHz |
| | 05 | 35Hz | 0D | 90Hz | 15 | 220Hz | 1D | 560Hz | 25 | 1.4kHz | 2D | 3.5kHz | 35 | 9kHz | 3D | - |
| | 06 | 40Hz | 0E | 100Hz | 16 | 250Hz | 1E | 630Hz | 26 | 1.6kHz | 2E | 4kHz | 36 | 10kHz | 3E | - |
| 07 | 45Hz | 0F | 110Hz | 17 | 280Hz | 1F | 700Hz | 27 | 1.8kHz | 2F | 4.5kHz | 37 | 11kHz | 3F | - | |

Selection of quality factor (Q)

Default = 4h

| Select Address | Operational explanation | | | |
|----------------|-------------------------|----------------|---------|----------------|
| &h4A [3:0] | Command | Quality factor | Command | Quality factor |
| | 0 | 0.33 | 8 | 2.2 |
| | 1 | 0.43 | 9 | 2.7 |
| | 2 | 0.56 | A | 3.3 |
| | 3 | 0.75 | B | 3.9 |
| | 4 | 1.0 | C | 4.7 |
| | 5 | 1.2 | D | 5.6 |
| | 6 | 1.5 | E | 6.8 |
| 7 | 1.8 | F | 8.2 | |

Selection of Gain

Default = 40h

| Select Address | Operational explanation | |
|----------------|-------------------------|--------|
| &h4B [6:0] | Command | Gain |
| | 1C | -18dB |
| | ⋮ | ⋮ |
| | 3E | -1dB |
| | 3F | -0.5dB |
| | 40 | 0dB |
| | 41 | +0.5dB |
| | 42 | +1dB |
| | ⋮ | ⋮ |
| | 64 | +18dB |

If the coefficient of b₀, b₁, b₂, a₁, and a₂ exceeds ±4, it may not operate normally.

4-8. Scaler 1

Scaler adjusts the gain in order to prevent the overflow in DSP.
 Adjustable range is +24dB to -103dB and can be set by the step of 0.5dB.
 Scaler 1 does not incorporate the smooth transition function.

Default = 30h

| Select Address | Operational explanation | | | | | | | | | | | | | | | | | | | | |
|----------------|---|---------|------|----|-------|----|---------|---|---|----|-----|----|--------|----|------|---|---|----|--------|----|----|
| &h24 [7:0] | <table border="1"> <thead> <tr> <th>Command</th> <th>Gain</th> </tr> </thead> <tbody> <tr> <td>00</td> <td>+24dB</td> </tr> <tr> <td>01</td> <td>+23.5dB</td> </tr> <tr> <td>⋮</td> <td>⋮</td> </tr> <tr> <td>30</td> <td>0dB</td> </tr> <tr> <td>31</td> <td>-0.5dB</td> </tr> <tr> <td>32</td> <td>-1dB</td> </tr> <tr> <td>⋮</td> <td>⋮</td> </tr> <tr> <td>FE</td> <td>-103dB</td> </tr> <tr> <td>FF</td> <td>-∞</td> </tr> </tbody> </table> | Command | Gain | 00 | +24dB | 01 | +23.5dB | ⋮ | ⋮ | 30 | 0dB | 31 | -0.5dB | 32 | -1dB | ⋮ | ⋮ | FE | -103dB | FF | -∞ |
| Command | Gain | | | | | | | | | | | | | | | | | | | | |
| 00 | +24dB | | | | | | | | | | | | | | | | | | | | |
| 01 | +23.5dB | | | | | | | | | | | | | | | | | | | | |
| ⋮ | ⋮ | | | | | | | | | | | | | | | | | | | | |
| 30 | 0dB | | | | | | | | | | | | | | | | | | | | |
| 31 | -0.5dB | | | | | | | | | | | | | | | | | | | | |
| 32 | -1dB | | | | | | | | | | | | | | | | | | | | |
| ⋮ | ⋮ | | | | | | | | | | | | | | | | | | | | |
| FE | -103dB | | | | | | | | | | | | | | | | | | | | |
| FF | -∞ | | | | | | | | | | | | | | | | | | | | |

4-9. Pseudo stereo

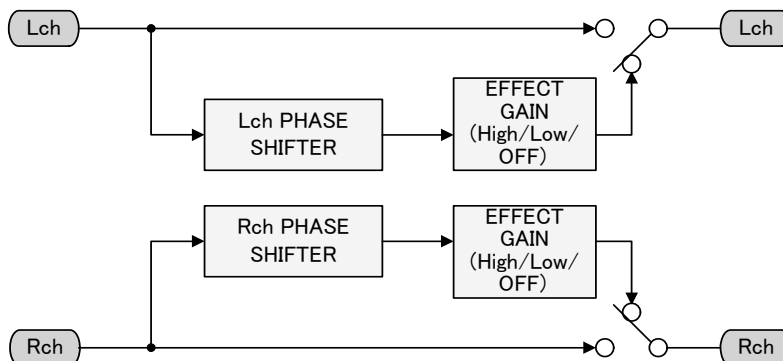
The sense of stereo is reproduced by signal processing of monaural voice.

Selection of filter effects of pseudo stereo

Default = 0

| Select Address | Value | Operational explanation |
|----------------|-------|----------------------------|
| &h71 [1:0] | 0 | Not using of pseudo stereo |
| | 1 | Gain is set as "high" |
| | 2 | Gain is set as "low" |

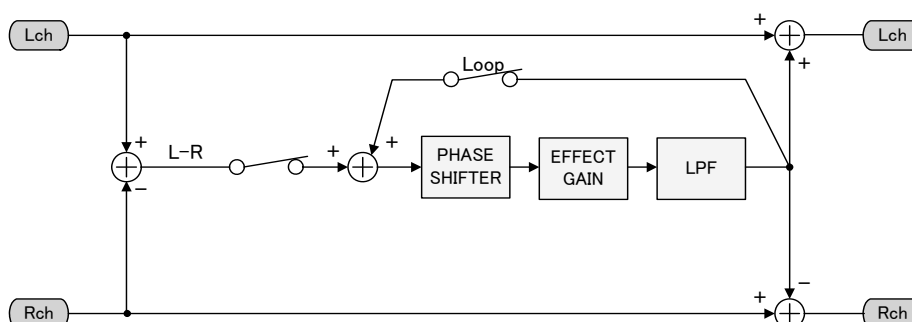
If combined with the Surround's setting of ON (&h70[7] = 1), it will become even wider.



4-10. Surround (Matrix Surround 3D)

It realizes the Surround with little feeling of fatigue even after wide seat spot and long-time watching & listening to. It reproduces the feeling of broadening of the natural sounds in medium & high bands and realizes the sound field that do no damage to the feeling of locating of the vocal.

If loop is used, then the number of stages of phase shifter can be increased in a pseudo way.



ON/OFF of Surround function

Default = 0

| Select Address | Value | Operational explanation |
|----------------|-------|---------------------------------|
| &h70 [7] | 0 | Turning the Surround effect OFF |
| | 1 | Turning the Surround effect ON |

Setting of using the LOOP

Default = 0

| Select Address | Value | Operational explanation |
|----------------|-------|-------------------------|
| &h70 [5] | 0 | Not using of LOOP |
| | 1 | Using of LOOP |

Setting of Surround gain

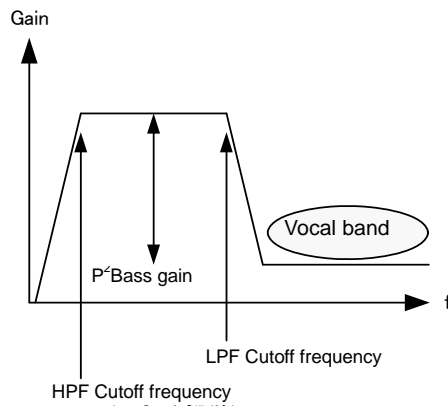
Default = Fh

| Select Address | Operational explanation | | | |
|----------------|-------------------------|------|---------|-------|
| &h70 [3:0] | Command | Gain | Command | Gain |
| | 0 | 0dB | 8 | -8dB |
| | 1 | -1dB | 9 | -9dB |
| | 2 | -2dB | A | -10dB |
| | 3 | -3dB | B | -11dB |
| | 4 | -4dB | C | -12dB |
| | 5 | -5dB | D | -13dB |
| | 6 | -6dB | E | -14dB |
| | 7 | -7dB | F | -15dB |

4-11. P²Bass (Perfect Pure Bass: Deep Bass Equalizer)

It is the deep bass equalizer making it possible that even thin-screen TV, by which the enclosure of speaker is restricted, can reproduce the real sound close to powerful deep bass & original sound.

Solid & clear deep bass with little feeling of distortion is realized. Even boosting of bass does not interfere with vocal band, therefore rich and natural deep band is realized.



ON/OFF of P²Bass function

Default = 0

| Select Address | Value | Operational explanation |
|----------------|-------|---|
| &h73 [7] | 0 | Not using of P ² Bass function |
| | 1 | Using of P ² Bass function |

Setting of P²Bass smooth transition time

Default = 0

| Select Address | Value | Operational explanation |
|----------------|-------|-------------------------|
| &h73 [3:2] | 0 | 21.4ms |
| | 1 | 10.7ms |
| | 2 | 5.4ms |
| | 3 | 2.7ms |

P²Bass smooth transition control

Default = 0

| Select Address | Value | Operational explanation |
|----------------|-------|--|
| &h77 [1:0] | 0 | P ² Bass smooth transition stop |
| | 1 | Setting of the values into Coefficient RAM for P ² Bass smooth transition |
| | 2 | P ² Bass smooth transition start |

What is necessary is the time of waiting, which is more than the time selected by the setting of P²Bass smooth transition time, from the time the P²Bass smooth transition start (&h77[1:0] = "2") is executed until the following command is sent. Please make sure to perform the P²Bass smooth transition stop (&h77[1:0] = "0") after the smooth transition is completed.

Setting of P²Bass deep bass gain

Default = 00h

| Select Address | Operational explanation | | | |
|----------------|-------------------------|------|---------|-------|
| &h74 [7:4] | Command | Gain | Command | Gain |
| | 0 | 0dB | 8 | +8dB |
| | 1 | +1dB | 9 | +9dB |
| | 2 | +2dB | A | +10dB |
| | 3 | +3dB | B | +11dB |
| | 4 | +4dB | C | +12dB |
| | 5 | +5dB | D | +13dB |
| | 6 | +6dB | E | +14dB |
| 7 | +7dB | F | +15dB | |

Setting of P²Bass HPF cutoff frequency

Default = 0

| Select Address | Value | Operational explanation |
|----------------|-------|-------------------------|
| &h74 [3:2] | 0 | 60Hz |
| | 1 | 80Hz |
| | 2 | 100Hz |
| | 3 | 120Hz |

Setting of P²Bass LPF cutoff frequency

Default = 0

| Select Address | Value | Operational explanation |
|----------------|-------|-------------------------|
| &h74 [1:0] | 0 | 120Hz |
| | 1 | 160Hz |
| | 2 | 200Hz |
| | 3 | 240Hz |

ON/OFF of pseudo bass function

It can contribute to bass emphasis effect caused by pseudo bass. And it can also be used independently.

Default = 0

| Select Address | Value | Operational explanation |
|----------------|-------|-----------------------------------|
| &h72 [7] | 0 | Not using of pseudo bass function |
| | 1 | Using of pseudo bass function |

Setting of pseudo bass gain

Default = 00h

| Select Address | Operational explanation | | | |
|----------------|-------------------------|------|---------|-------|
| &h72 [6:4] | Command | Gain | Command | Gain |
| | 0 | -4dB | 4 | +4dB |
| | 1 | -2dB | 5 | +6dB |
| | 2 | 0dB | 6 | +8dB |
| | 3 | +2dB | 7 | +10dB |

4-12. P²Treble (Perfect Pure Treble: Medium · High-band equalizer)

It realizes good Clearness, sound stretch, and clear-cut manner.

It realizes such an effect that the sound is raised and can be heard when speaker is located on the underside of a device.

ON/OFF of P²Treble function

Default = 0

| Select Address | Value | Operational explanation |
|----------------|-------|---|
| &h75 [7] | 0 | Not using of P ² Treble function |
| | 1 | Using of P ² Treble function |

Setting of P²Treble smooth transition time

Default = 0

| Select Address | Value | Operational explanation |
|----------------|-------|-------------------------|
| &h75 [3:2] | 0 | 21.4ms |
| | 1 | 10.7ms |
| | 2 | 5.4ms |
| | 3 | 2.7ms |

P²Treble smooth transition control

Default = 0

| Select Address | Value | Operational explanation |
|----------------|-------|--|
| &h78 [1:0] | 0 | P ² Treble smooth transition stop |
| | 1 | Setting of the values into Coefficient RAM for P ² Treble smooth transition |
| | 2 | P ² Treble smooth transition S tart |

What is necessary is the time of waiting, which is more than the time selected by the setting of P²Treble smooth transition time, from the time the P²Treble smooth transition start (&h78[1:0] = "2") is executed until the following command is sent. Please make sure to perform the P²Treble smooth transition stop (&h78[1:0] = "0") after the smooth transition is completed.

Setting of P²Treble medium · high-band gain

Default = 0h

| Select Address | Operational explanation | | | |
|----------------|-------------------------|------|---------|-------|
| &h76 [7:4] | Command | Gain | Command | Gain |
| | 0 | 0dB | 8 | +8dB |
| | 1 | +1dB | 9 | +9dB |
| | 2 | +2dB | A | +10dB |
| | 3 | +3dB | B | +11dB |
| | 4 | +4dB | C | +12dB |
| | 5 | +5dB | D | +13dB |
| | 6 | +6dB | E | +14dB |
| 7 | +7dB | F | +15dB | |

4-13. Scaler 2

Scaler adjusts the gain in order to prevent the overflow in DSP.

Adjustable range is +24dB to -103dB and can be set by the step of 0.5dB.

Scaler 2 does not incorporate the smooth transition function.

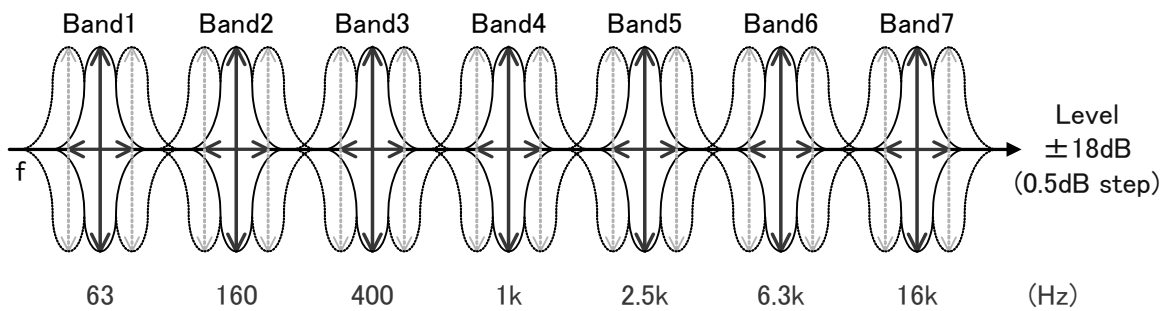
Default = 30h

| Select Address | Operational explanation | | | | | | | | | | | | | | | | | | | | | |
|----------------|--|---------|------|----|-------|----|---------|---|---|----|-----|----|--------|----|------|---|---|----|--------|----|----|--|
| &h25 [7:0] | <table border="1"> <thead> <tr> <th>Command</th> <th>Gain</th> </tr> </thead> <tbody> <tr><td>00</td><td>+24dB</td></tr> <tr><td>01</td><td>+23.5dB</td></tr> <tr><td>⋮</td><td>⋮</td></tr> <tr><td>30</td><td>0dB</td></tr> <tr><td>31</td><td>-0.5dB</td></tr> <tr><td>32</td><td>-1dB</td></tr> <tr><td>⋮</td><td>⋮</td></tr> <tr><td>FE</td><td>-103dB</td></tr> <tr><td>FF</td><td>-∞</td></tr> </tbody> </table> | Command | Gain | 00 | +24dB | 01 | +23.5dB | ⋮ | ⋮ | 30 | 0dB | 31 | -0.5dB | 32 | -1dB | ⋮ | ⋮ | FE | -103dB | FF | -∞ | |
| Command | Gain | | | | | | | | | | | | | | | | | | | | | |
| 00 | +24dB | | | | | | | | | | | | | | | | | | | | | |
| 01 | +23.5dB | | | | | | | | | | | | | | | | | | | | | |
| ⋮ | ⋮ | | | | | | | | | | | | | | | | | | | | | |
| 30 | 0dB | | | | | | | | | | | | | | | | | | | | | |
| 31 | -0.5dB | | | | | | | | | | | | | | | | | | | | | |
| 32 | -1dB | | | | | | | | | | | | | | | | | | | | | |
| ⋮ | ⋮ | | | | | | | | | | | | | | | | | | | | | |
| FE | -103dB | | | | | | | | | | | | | | | | | | | | | |
| FF | -∞ | | | | | | | | | | | | | | | | | | | | | |

4-14. 7 band · parametric equalizer

7-band parametric equalizer can use Peaking filter, Low-shelf filter or high-shelf filter.

The setting is converted, in the IC, into digital filter's coefficients (b0, b1, b2, a1, a2) by selecting the F, Q and Gain, and transmitted to coefficient RAM. There is no smooth transition function.



Selection of filter types

Default = 0

| Select Address | Value | Operational explanation |
|-----------------------------------|-------|-------------------------|
| bit[7:6] It sets to all band | 0 | Peaking filter |
| | 1 | Low-shelf filter |
| | 2 | High-shelf filter |

Setting of the Start of transmitting to coefficient RAM

It is transmitted to direct coefficient RAM.

Default = 0

| Select Address | Value | Operational explanation |
|----------------------------------|-------|--------------------------------|
| bit [0] It sets to all band | 0 | Coefficient transmission stop |
| | 1 | Coefficient transmission start |

Selection of frequency (F₀)

Default = 0Eh

| Select Address | Operational explanation | | | | | | | | | | | | | | | |
|------------------------------------|-------------------------|-----------|---------|-----------|---------|-----------|---------|-----------|---------|-----------|---------|-----------|---------|-----------|---------|-----------|
| bit [5:0] It sets to all band | Command | Frequency | Command | Frequency | Command | Frequency | Command | Frequency | Command | Frequency | Command | Frequency | Command | Frequency | Command | Frequency |
| | 00 | 20Hz | 08 | 50Hz | 10 | 125Hz | 18 | 315Hz | 20 | 800Hz | 28 | 2kHz | 30 | 5kHz | 38 | 12.5kHz |
| | 01 | 22Hz | 09 | 56Hz | 11 | 140Hz | 19 | 350Hz | 21 | 900Hz | 29 | 2.2kHz | 31 | 5.6kHz | 39 | 14kHz |
| | 02 | 25Hz | 0A | 63Hz | 12 | 160Hz | 1A | 400Hz | 22 | 1kHz | 2A | 2.5kHz | 32 | 6.3kHz | 3A | 16kHz |
| | 03 | 28Hz | 0B | 70Hz | 13 | 180Hz | 1B | 450Hz | 23 | 1.1kHz | 2B | 2.8kHz | 33 | 7kHz | 3B | 18kHz |
| | 04 | 32Hz | 0C | 80Hz | 14 | 200Hz | 1C | 500Hz | 24 | 1.25kHz | 2C | 3.15kHz | 34 | 8kHz | 3C | 20kHz |
| | 05 | 35Hz | 0D | 90Hz | 15 | 220Hz | 1D | 560Hz | 25 | 1.4kHz | 2D | 3.5kHz | 35 | 9kHz | 3D | - |
| | 06 | 40Hz | 0E | 100Hz | 16 | 250Hz | 1E | 630Hz | 26 | 1.6kHz | 2E | 4kHz | 36 | 10kHz | 3E | - |
| | 07 | 45Hz | 0F | 110Hz | 17 | 280Hz | 1F | 700Hz | 27 | 1.8kHz | 2F | 4.5kHz | 37 | 11kHz | 3F | - |

Selection of quality factor (Q)

Default = 4h

| Select Address | Operational explanation | | | |
|--------------------------------------|-------------------------|----------------|---------|----------------|
| bit [3:0] It sets to every band | Command | Quality factor | Command | Quality factor |
| | 0 | 0.33 | 8 | 2.2 |
| | 1 | 0.43 | 9 | 2.7 |
| | 2 | 0.56 | A | 3.3 |
| | 3 | 0.75 | B | 3.9 |
| | 4 | 1.0 | C | 4.7 |
| | 5 | 1.2 | D | 5.6 |
| | 6 | 1.5 | E | 6.8 |
| | 7 | 1.8 | F | 8.2 |

Selection of Gain

Default = 40h

| Select Address | Operational explanation | |
|--------------------------------------|-------------------------|--------|
| bit [6:0] It sets to every band | Command | Gain |
| | 1C | -18dB |
| | : | : |
| | 3E | -1dB |
| | 3F | -0.5dB |
| | 40 | 0dB |
| | 41 | +0.5dB |
| | 42 | +1dB |
| | : | : |
| | 64 | +18dB |

If the coefficient of b0, b1, b2, a1, and a2 exceeds ±4, it may not operate normally.

The Select Address of each band is shown in the table below:

| | Band1 | Band2 | Band3 | Band4 | Band5 | Band6 | Band7 |
|---|-------|-------|-------|-------|-------|-------|-------|
| Selection of filter type bit [7:6] | | | | | | | |
| Setting of the Start of transmitting to coefficient RAM bit [0] | &h50h | &h54h | &h58h | &h5Ch | &h60h | &h64h | &h68h |
| F(frequency) selection bit [5:0] | &h51h | &h55h | &h59h | &h5Dh | &h61h | &h65h | &h69h |
| Q(Quality Factor) selection bit [3:0] | &h52h | &h56h | &h5Ah | &h5Eh | &h62h | &h66h | &h6Ah |
| Gain selection bit [6:0] | &h53h | &h57h | &h5Bh | &h5Fh | &h63h | &h67h | &h6Bh |

4-15. Main output EVR (Electronic volume)

Volume is from +24dB to -103dB, and can be selected by the step of 0.5dB.

At the time of switching of Volume, smooth transition is performed.

The expression in the transition time from x[dB] to y[dB] is $|(10^{(x/20)} - 10^{(y/20)})| * 21.4\text{ms}$ (Main output balance Lch=Rch=0dB). The transition time is 21.4ms when it is from 0dB to $-\infty$. Recommend that this setting value is 0dB and under.

Setting of Volume

Default = FFh

| Select Address | Operational explanation | | | | | | | | | | | | | | | | | | | | | |
|----------------|--|---------|------|----|-------|----|---------|---|---|----|-----|----|--------|----|------|---|---|----|--------|----|-----------|--|
| &h26 [7:0] | <table border="1"> <thead> <tr> <th>Command</th> <th>Gain</th> </tr> </thead> <tbody> <tr><td>00</td><td>+24dB</td></tr> <tr><td>01</td><td>+23.5dB</td></tr> <tr><td>⋮</td><td>⋮</td></tr> <tr><td>30</td><td>0dB</td></tr> <tr><td>31</td><td>-0.5dB</td></tr> <tr><td>32</td><td>-1dB</td></tr> <tr><td>⋮</td><td>⋮</td></tr> <tr><td>FE</td><td>-103dB</td></tr> <tr><td>FF</td><td>$-\infty$</td></tr> </tbody> </table> | Command | Gain | 00 | +24dB | 01 | +23.5dB | ⋮ | ⋮ | 30 | 0dB | 31 | -0.5dB | 32 | -1dB | ⋮ | ⋮ | FE | -103dB | FF | $-\infty$ | |
| Command | Gain | | | | | | | | | | | | | | | | | | | | | |
| 00 | +24dB | | | | | | | | | | | | | | | | | | | | | |
| 01 | +23.5dB | | | | | | | | | | | | | | | | | | | | | |
| ⋮ | ⋮ | | | | | | | | | | | | | | | | | | | | | |
| 30 | 0dB | | | | | | | | | | | | | | | | | | | | | |
| 31 | -0.5dB | | | | | | | | | | | | | | | | | | | | | |
| 32 | -1dB | | | | | | | | | | | | | | | | | | | | | |
| ⋮ | ⋮ | | | | | | | | | | | | | | | | | | | | | |
| FE | -103dB | | | | | | | | | | | | | | | | | | | | | |
| FF | $-\infty$ | | | | | | | | | | | | | | | | | | | | | |

4-16. Main output balance

Balance can be attenuated, by the step width of 1dB, from the Volume setting value. At the time of switching, smooth transition is performed. At the time of switching of Balance, smooth transition is performed.

The expression in the transition time from x[dB] to y[dB] is $|(10^{((\text{Volume}+x)/20)} - 10^{((\text{Volume}+y)/20)})| * 21.4\text{ms}$.

Setting of L/R Balance

Default = 80h

| Select Address | Operational explanation | | | | | | | | | | | | | | | | | | | | | | | | | | | | | | | | | | | |
|----------------|---|-----------|-----|-----|----|-----|-----------|----|-----|--------|---|---|---|----|-----|------|----|-----|-----|----|-----|-----|----|------|-----|---|---|---|----|--------|-----|----|-----------|-----|--|--|
| &h27 [7:0] | <table border="1"> <thead> <tr> <th>Command</th> <th>Lch</th> <th>Rch</th> </tr> </thead> <tbody> <tr><td>00</td><td>0dB</td><td>$-\infty$</td></tr> <tr><td>01</td><td>0dB</td><td>-126dB</td></tr> <tr><td>⋮</td><td>⋮</td><td>⋮</td></tr> <tr><td>7E</td><td>0dB</td><td>-1dB</td></tr> <tr><td>7F</td><td>0dB</td><td>0dB</td></tr> <tr><td>80</td><td>0dB</td><td>0dB</td></tr> <tr><td>81</td><td>-1dB</td><td>0dB</td></tr> <tr><td>⋮</td><td>⋮</td><td>⋮</td></tr> <tr><td>FE</td><td>-126dB</td><td>0dB</td></tr> <tr><td>FF</td><td>$-\infty$</td><td>0dB</td></tr> </tbody> </table> | Command | Lch | Rch | 00 | 0dB | $-\infty$ | 01 | 0dB | -126dB | ⋮ | ⋮ | ⋮ | 7E | 0dB | -1dB | 7F | 0dB | 0dB | 80 | 0dB | 0dB | 81 | -1dB | 0dB | ⋮ | ⋮ | ⋮ | FE | -126dB | 0dB | FF | $-\infty$ | 0dB | | |
| Command | Lch | Rch | | | | | | | | | | | | | | | | | | | | | | | | | | | | | | | | | | |
| 00 | 0dB | $-\infty$ | | | | | | | | | | | | | | | | | | | | | | | | | | | | | | | | | | |
| 01 | 0dB | -126dB | | | | | | | | | | | | | | | | | | | | | | | | | | | | | | | | | | |
| ⋮ | ⋮ | ⋮ | | | | | | | | | | | | | | | | | | | | | | | | | | | | | | | | | | |
| 7E | 0dB | -1dB | | | | | | | | | | | | | | | | | | | | | | | | | | | | | | | | | | |
| 7F | 0dB | 0dB | | | | | | | | | | | | | | | | | | | | | | | | | | | | | | | | | | |
| 80 | 0dB | 0dB | | | | | | | | | | | | | | | | | | | | | | | | | | | | | | | | | | |
| 81 | -1dB | 0dB | | | | | | | | | | | | | | | | | | | | | | | | | | | | | | | | | | |
| ⋮ | ⋮ | ⋮ | | | | | | | | | | | | | | | | | | | | | | | | | | | | | | | | | | |
| FE | -126dB | 0dB | | | | | | | | | | | | | | | | | | | | | | | | | | | | | | | | | | |
| FF | $-\infty$ | 0dB | | | | | | | | | | | | | | | | | | | | | | | | | | | | | | | | | | |

4-17. Main output postscaler

It performs the level adjustment when the data calculated in the 32-bit-width DSP is outputted in the form of 24bitwidth.

Adjustable range is from +24dB to -103dB and can be set by the step of 0.5dB.

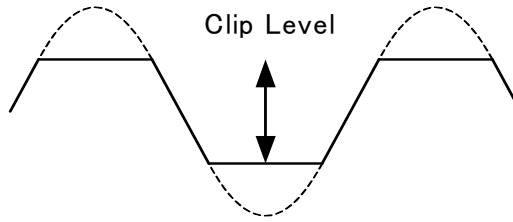
There is no smooth transition function in Postscaler.

Default = 30h

| Select Address | Operational explanation | | | | | | | | | | | | | | | | | | | | | |
|----------------|--|---------|------|----|-------|----|---------|---|---|----|-----|----|--------|----|------|---|---|----|--------|----|-----------|--|
| &h28 [7:0] | <table border="1"> <thead> <tr> <th>Command</th> <th>Gain</th> </tr> </thead> <tbody> <tr><td>00</td><td>+24dB</td></tr> <tr><td>01</td><td>+23.5dB</td></tr> <tr><td>⋮</td><td>⋮</td></tr> <tr><td>30</td><td>0dB</td></tr> <tr><td>31</td><td>-0.5dB</td></tr> <tr><td>32</td><td>-1dB</td></tr> <tr><td>⋮</td><td>⋮</td></tr> <tr><td>FE</td><td>-103dB</td></tr> <tr><td>FF</td><td>$-\infty$</td></tr> </tbody> </table> | Command | Gain | 00 | +24dB | 01 | +23.5dB | ⋮ | ⋮ | 30 | 0dB | 31 | -0.5dB | 32 | -1dB | ⋮ | ⋮ | FE | -103dB | FF | $-\infty$ | |
| Command | Gain | | | | | | | | | | | | | | | | | | | | | |
| 00 | +24dB | | | | | | | | | | | | | | | | | | | | | |
| 01 | +23.5dB | | | | | | | | | | | | | | | | | | | | | |
| ⋮ | ⋮ | | | | | | | | | | | | | | | | | | | | | |
| 30 | 0dB | | | | | | | | | | | | | | | | | | | | | |
| 31 | -0.5dB | | | | | | | | | | | | | | | | | | | | | |
| 32 | -1dB | | | | | | | | | | | | | | | | | | | | | |
| ⋮ | ⋮ | | | | | | | | | | | | | | | | | | | | | |
| FE | -103dB | | | | | | | | | | | | | | | | | | | | | |
| FF | $-\infty$ | | | | | | | | | | | | | | | | | | | | | |

4-18. Main output clipper

When measuring the rated output (practical maximum output), it is measured where the total distortion rate (THD+N) is 10%. Clipping with any output amplitude is possible by using of clipper function, for example, the rated output of 10W or 5W can be obtained by using an amplifier with 15W output.



Please set the &h27[7] at "H" when using of clipper function.
Default = 0

using of clipper function.

| Select Address | Value | Operational explanation |
|----------------|-------|----------------------------|
| &h29 [7] | 0 | Not using clipper function |
| | 1 | Using clipper function |

Clip level is set in the form of higher-order 8 bit&h2A[7:0] and lower-order 8 bit&h2B[7:0].

| | | | | | | | | | | | | | | | | | | | | | | | | | | | | | |
|----|-------------------|----|----|----|----|----|----|----|----|----|----|----|----|---|---|---|---|---|---|---|---|---|---|---|---|---|---|---|---|
| 23 | 22 | 21 | 20 | 19 | 18 | 17 | 16 | 15 | 14 | 13 | 12 | 11 | 10 | 9 | 8 | 7 | 6 | 5 | 4 | 3 | 2 | 1 | 0 | | | | | | |
| 0 | 1 | 1 | 1 | 1 | 1 | 1 | 1 | 1 | 1 | 1 | 1 | 1 | 1 | 1 | 1 | 1 | 1 | 1 | 1 | 1 | 1 | 1 | 1 | 1 | | | | | |
| 1 | 0 | 0 | 0 | 0 | 0 | 0 | 0 | 0 | 0 | 0 | 0 | 0 | 0 | 0 | 0 | 0 | 0 | 0 | 0 | 0 | 0 | 0 | 0 | 0 | | | | | |
| 0 | clip_level[15:0] | | | | | | | | | | | | | | | 0 | 0 | 0 | 0 | 0 | 0 | 0 | 0 | 0 | 0 | 0 | 0 | | |
| 1 | ~clip_level[15:0] | | | | | | | | | | | | | | | 1 | 1 | 1 | 1 | 1 | 1 | 1 | 1 | 1 | 1 | 1 | 1 | 1 | 1 |

← Maximum value
← Minimum value
← A positive clip level
← A negative clip level

The clip level

I becomes narrow if the setting value is reduced.

Negative clip level is set in such a way that it is the inversion data of positive clip level.

4-19. Selection of sub input data

Selection of Sub input (Sub woofer processing etc.).

The Sub woofer output interlocked with P²Bass's gain setting is possible by inputting the data that after P²Bass processing. In addition, in BU9409FV, the data can be inputted from SP conversion2.

Default = 0

| Select Address | Value | Operational explanation |
|----------------|-------|---|
| &h2F [1:0] | 0 | Inputting of data that are after Scaler 1 |
| | 1 | Inputting of data that are after P ² Bass processing |
| | 2 | Inputting of data from SP conversion2 |

4-20. Sub output channel mixer

Mixing setting of sound of the left channel and the right channel of the digital signal for sub output which is input into sound DSP is done. The monaural conversion of the stereo signal is done here.

The data which is input into Lch of Sub output signal processing is mixed.

Default = 0

| Select Address | Value | Operating explanation |
|----------------|-------|---------------------------------------|
| &h22 [3:2] | 0 | Inputting the Lch data |
| | 1 | Inputting the data of (Lch + Rch) / 2 |
| | 2 | Inputting the data of (Lch + Rch) / 2 |
| | 3 | Inputting the Rch data |

The data which is input into Rch of Sub output signal processing is mixed.

Default = 0

| Select Address | Value | Operating explanation |
|----------------|-------|---------------------------------------|
| &h22 [1:0] | 0 | Inputting the Rch data |
| | 1 | Inputting the data of (Lch + Rch) / 2 |
| | 2 | Inputting the data of (Lch + Rch) / 2 |
| | 3 | Inputting the Lch data |

4-21. LPF for sub woofer output

It is the crossover filter (LPF) for sub woofer output.
LPF function ON/OFF.

Default = 0

| Select Address | Value | Operating explanation |
|----------------|-------|--------------------------|
| &h7A [7] | 0 | LPF function is not used |
| | 1 | LPF function is used |

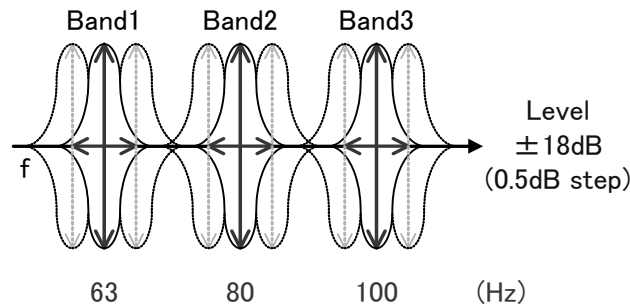
Setting of the cut off frequency (Fc) of LPF

Default = 0h

| Select Address | Operating explanation | | | |
|----------------|-----------------------|-------|---------|-------|
| &h7A [6:4] | Command | Fc | Command | Fc |
| | 0 | 60Hz | 4 | 160Hz |
| | 1 | 80Hz | 5 | 200Hz |
| | 2 | 100Hz | 6 | 240Hz |
| | 3 | 120Hz | 7 | 280Hz |

4-22. Sub output 3 band Parametric Equalizer

The peaking filter or the low shelf filter or the high shelf filter can be used by the parametric equalizer of 3 bands. By the fact that F, Q and Gain are selected, it converts the setting to the coefficient (b0, b1, b2, a1 and a2) of the digital filter inside IC, and transfers it to the coefficient RAM. There is no smooth transition function.



Selection of filter type

Default = 0

| Select Address | Value | Operating explanation |
|-----------------------------------|-------|-----------------------|
| bit[7:6] It sets to all band | 0 | Peaking filter |
| | 1 | Low shelf filter |
| | 2 | High shelf filter |

Transfer start setting to coefficient RAM.

It transfers directly to coefficient RAM.

Default = 0

| Select Address | Value | Operating explanation |
|----------------------------------|-------|--------------------------------|
| bit [0] It sets to all band | 0 | Coefficient transmission stop |
| | 1 | Coefficient transmission start |

Selection of frequency (F₀)

Default = 0Eh

| Select Address | Operating explanation | | | | | | | | | | | | | | | |
|------------------------------------|-----------------------|-----------|---------|-----------|---------|-----------|---------|-----------|---------|-----------|---------|-----------|---------|-----------|---------|-----------|
| bit [5:0] It sets to all band | Command | Frequency | Command | Frequency | Command | Frequency | Command | Frequency | Command | Frequency | Command | Frequency | Command | Frequency | Command | Frequency |
| | 00 | 20Hz | 08 | 50Hz | 10 | 125Hz | 18 | 315Hz | 20 | 800Hz | 28 | 2kHz | 30 | 5kHz | 38 | 12.5kHz |
| | 01 | 22Hz | 09 | 56Hz | 11 | 140Hz | 19 | 350Hz | 21 | 900Hz | 29 | 2.2kHz | 31 | 5.6kHz | 39 | 14kHz |
| | 02 | 25Hz | 0A | 63Hz | 12 | 160Hz | 1A | 400Hz | 22 | 1kHz | 2A | 2.5kHz | 32 | 6.3kHz | 3A | 16kHz |
| | 03 | 28Hz | 0B | 70Hz | 13 | 180Hz | 1B | 450Hz | 23 | 1.1kHz | 2B | 2.8kHz | 33 | 7kHz | 3B | 18kHz |
| | 04 | 32Hz | 0C | 80Hz | 14 | 200Hz | 1C | 500Hz | 24 | 1.25kHz | 2C | 3.15kHz | 34 | 8kHz | 3C | 20kHz |
| | 05 | 35Hz | 0D | 90Hz | 15 | 220Hz | 1D | 560Hz | 25 | 1.4kHz | 2D | 3.5kHz | 35 | 9kHz | 3D | - |
| | 06 | 40Hz | 0E | 100Hz | 16 | 250Hz | 1E | 630Hz | 26 | 1.6kHz | 2E | 4kHz | 36 | 10kHz | 3E | - |
| 07 | 45Hz | 0F | 110Hz | 17 | 280Hz | 1F | 700Hz | 27 | 1.8kHz | 2F | 4.5kHz | 37 | 11kHz | 3F | - | |

Selection of quality factor (Q)

Default = 4h

| Select Address | Operating explanation | | | |
|------------------------------------|-----------------------|----------------|---------|----------------|
| bit [3:0] It sets to all band | Command | Quality factor | Command | Quality factor |
| | 0 | 0.33 | 8 | 2.2 |
| | 1 | 0.43 | 9 | 2.7 |
| | 2 | 0.56 | A | 3.3 |
| | 3 | 0.75 | B | 3.9 |
| | 4 | 1.0 | C | 4.7 |
| | 5 | 1.2 | D | 5.6 |
| | 6 | 1.5 | E | 6.8 |
| 7 | 1.8 | F | 8.2 | |

Selection of Gain

Default = 40h

| Select Address | Operating explanation | | | | | | | | | | | | | | | | | | | | | |
|------------------------------------|--|--|---------|------|----|-------|---|---|----|------|----|--------|----|-----|----|--------|----|------|---|---|----|-------|
| bit [6:0] It sets to all band | <table border="1"> <thead> <tr> <th>Command</th> <th>Gain</th> </tr> </thead> <tbody> <tr><td>1C</td><td>-18dB</td></tr> <tr><td>:</td><td>:</td></tr> <tr><td>3E</td><td>-1dB</td></tr> <tr><td>3F</td><td>-0.5dB</td></tr> <tr><td>40</td><td>0dB</td></tr> <tr><td>41</td><td>+0.5dB</td></tr> <tr><td>42</td><td>+1dB</td></tr> <tr><td>:</td><td>:</td></tr> <tr><td>64</td><td>+18dB</td></tr> </tbody> </table> | | Command | Gain | 1C | -18dB | : | : | 3E | -1dB | 3F | -0.5dB | 40 | 0dB | 41 | +0.5dB | 42 | +1dB | : | : | 64 | +18dB |
| Command | Gain | | | | | | | | | | | | | | | | | | | | | |
| 1C | -18dB | | | | | | | | | | | | | | | | | | | | | |
| : | : | | | | | | | | | | | | | | | | | | | | | |
| 3E | -1dB | | | | | | | | | | | | | | | | | | | | | |
| 3F | -0.5dB | | | | | | | | | | | | | | | | | | | | | |
| 40 | 0dB | | | | | | | | | | | | | | | | | | | | | |
| 41 | +0.5dB | | | | | | | | | | | | | | | | | | | | | |
| 42 | +1dB | | | | | | | | | | | | | | | | | | | | | |
| : | : | | | | | | | | | | | | | | | | | | | | | |
| 64 | +18dB | | | | | | | | | | | | | | | | | | | | | |

If the coefficient of b0, b1, b2, a1, and a2 exceeds ±4, it may not operate normally.

Select Address of every band is as in chart below

| | Band1 | Band2 | Band3 |
|---|-------|-------|-------|
| Selection of filter type bit [7:6] | &h80h | &h84h | &h88h |
| Transfer start setting to coefficient RAM bit [0] | | | |
| F (frequency) selection bit [5:0] | &h81h | &h85h | &h89h |
| Q (quality factor) selection bit [3:0] | &h82h | &h86h | &h8Ah |
| Gain selection bit [6:0] | &h83h | &h87h | &h8Bh |

4-23. Sub output EVR (electronic volume)

The volume for sub output can select with 0.5dB step from +24dB to -103dB.

When changing volume, smooth transition is done.

The expression in the transition time from x[dB] to y[dB] is $|(10^{(x/20)} - 10^{(y/20)})| * 21.4ms$ (Sub output balance Lch=Rch=0dB).

The transition time is 21.4ms when it is from 0dB to -∞. Recommend that this setting value is 0dB and under.

Volume setting

Default = FFh

| Select Address | Operating explanation | | | | | | | | | | | | | | | | | | | | | |
|----------------|--|--|---------|------|----|-------|----|---------|---|---|----|-----|----|--------|----|------|---|---|----|--------|----|----|
| &h2C [7:0] | <table border="1"> <thead> <tr> <th>Command</th> <th>Gain</th> </tr> </thead> <tbody> <tr><td>00</td><td>+24dB</td></tr> <tr><td>01</td><td>+23.5dB</td></tr> <tr><td>:</td><td>:</td></tr> <tr><td>30</td><td>0dB</td></tr> <tr><td>31</td><td>-0.5dB</td></tr> <tr><td>32</td><td>-1dB</td></tr> <tr><td>:</td><td>:</td></tr> <tr><td>FE</td><td>-103dB</td></tr> <tr><td>FF</td><td>-∞</td></tr> </tbody> </table> | | Command | Gain | 00 | +24dB | 01 | +23.5dB | : | : | 30 | 0dB | 31 | -0.5dB | 32 | -1dB | : | : | FE | -103dB | FF | -∞ |
| Command | Gain | | | | | | | | | | | | | | | | | | | | | |
| 00 | +24dB | | | | | | | | | | | | | | | | | | | | | |
| 01 | +23.5dB | | | | | | | | | | | | | | | | | | | | | |
| : | : | | | | | | | | | | | | | | | | | | | | | |
| 30 | 0dB | | | | | | | | | | | | | | | | | | | | | |
| 31 | -0.5dB | | | | | | | | | | | | | | | | | | | | | |
| 32 | -1dB | | | | | | | | | | | | | | | | | | | | | |
| : | : | | | | | | | | | | | | | | | | | | | | | |
| FE | -103dB | | | | | | | | | | | | | | | | | | | | | |
| FF | -∞ | | | | | | | | | | | | | | | | | | | | | |

4-24. Sub output balance

As for sub output balance, it is possible to be attenuated at 1dB step width from volume setting value. When changing smooth transition is done.

When changing balance, smooth transition is done.

The expression in the transition time from x[dB] to y[dB] is $|(10^{((Volume+x)/20)} - 10^{((Volume+y)/20)})| * 21.4ms$.

L/R Balance setting

Default = 80h

| Select Address | Operating explanation | | |
|----------------|-----------------------|--------|--------|
| | Command | Lch | Rch |
| &h2D [7:0] | 00 | 0dB | -∞ |
| | 01 | 0dB | -126dB |
| | ⋮ | ⋮ | ⋮ |
| | 7E | 0dB | -1dB |
| | 7F | 0dB | 0dB |
| | 80 | 0dB | 0dB |
| | 81 | -1dB | 0dB |
| | ⋮ | ⋮ | ⋮ |
| | FE | -126dB | 0dB |
| | FF | -∞ | 0dB |

4-25. Sub output post scaler

The occasion when the data which is calculated with DSP of 32bit width is output at 24bit width, level adjustment is done.

The adjustment range can be set with 0.5dB step from +24dB to -103dB.

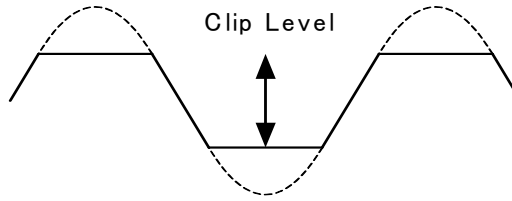
There is no smooth transition function in the sub output post scaler.

Default = 30h

| Select Address | Operating explanation | |
|----------------|-----------------------|---------|
| | Command | Gain |
| &h2E [7:0] | 00 | +24dB |
| | 01 | +23.5dB |
| | ⋮ | ⋮ |
| | 30 | 0dB |
| | 31 | -0.5dB |
| | 32 | -1dB |
| | ⋮ | ⋮ |
| | FE | -103dB |
| | FF | -∞ |

4-26. Sub output clipper

The case when rated output (practical maximum output) of the television is measured, total harmonic distortion + noise (THD+N) measures at the place of 10%. It can obtain the rated output of 10W and 5W for example making use of the amplifier of 15W output, because it is possible to clip with optional output amplitude by using the clipper function.



Please designate &h30 [7] as "H" when function.

using sub output clipper

Default = 0

| Select Address | Value | Operating explanation |
|----------------|-------|------------------------------|
| &h30 [7] | 0 | Clipper function is not used |
| | 1 | Clipper function is used |

As for clip level, it sets with superior 8 bits &h31 [7: 0] and subordinate 8 bits &h32 [7: 0].

| | | | | | | | | | | | | | | | | | | | | | | | |
|----|-------------------|----|----|----|----|----|----|----|----|----|----|----|----|---|---|---|---|---|---|---|---|---|---|
| 23 | 22 | 21 | 20 | 19 | 18 | 17 | 16 | 15 | 14 | 13 | 12 | 11 | 10 | 9 | 8 | 7 | 6 | 5 | 4 | 3 | 2 | 1 | 0 |
| 0 | 1 | 1 | 1 | 1 | 1 | 1 | 1 | 1 | 1 | 1 | 1 | 1 | 1 | 1 | 1 | 1 | 1 | 1 | 1 | 1 | 1 | 1 | 1 |
| 1 | 0 | 0 | 0 | 0 | 0 | 0 | 0 | 0 | 0 | 0 | 0 | 0 | 0 | 0 | 0 | 0 | 0 | 0 | 0 | 0 | 0 | 0 | 0 |
| 0 | clip_level[15:0] | | | | | | | | | | | | | | | 0 | 0 | 0 | 0 | 0 | 0 | 0 | |
| 1 | ~clip_level[15:0] | | | | | | | | | | | | | | | 1 | 1 | 1 | 1 | 1 | 1 | 1 | |

← Maximum value
 ← Minimum value
 ← A positive clip level
 ← A negative clip level

When settin

g value is made small, clip level becomes narrow.

As for negative clip level, the reversal data of positive clip level is set.

4-27. Direct setting five coefficient of b0, b1, b2, a1 and a2 of Bi-quad Filter

7 bands Parametric Equalizer of main output and of 3 bands Parametric Equalizer of sub output have used the secondary IIR type digital filter (Bi-quad Filter).

It is possible to set five coefficient 24 bit of b0, b1, b2, a1 and a2 of Bi-quad Filter (-4~+4) directly from an external.

When this function is used, it can do the filter type and frequency setting, Q value (quality factor) setting and gain setting other than Peaking, Low-Shelf and High-Shelf unrestrictedly.

(Note) five coefficient have the necessity to make below the ±4, there is no read-out function of setting value and an automatic renewal function of coefficient RAM.

Register for the coefficient transfer of 24bit

Before transferring into coefficient RAM in a lumping, the data is housed in the register for coefficient transfer from the micro-computer.

Default = 00h

| Select Address | Operating explanation |
|----------------|---|
| &h8D [7:0] | bit[23:16] which transfers 24 bit coefficient |
| &h8E [7:0] | bit[15:8] which transfers 24 bit coefficient |
| &h8F [7:0] | bit[7:0] which transfers 24 bit coefficient |

It starts to transmit the coefficient of 24bit into coefficient RAM

Default = 0

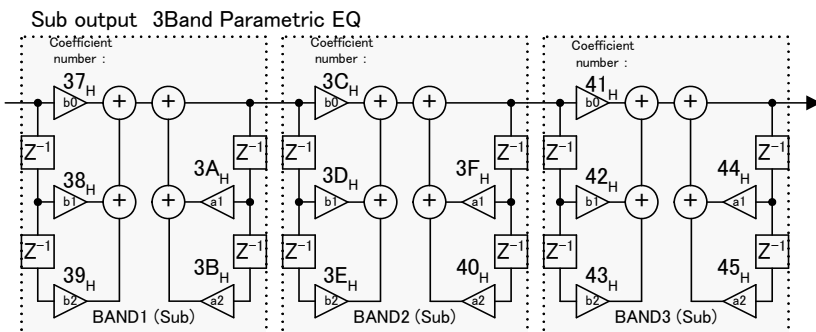
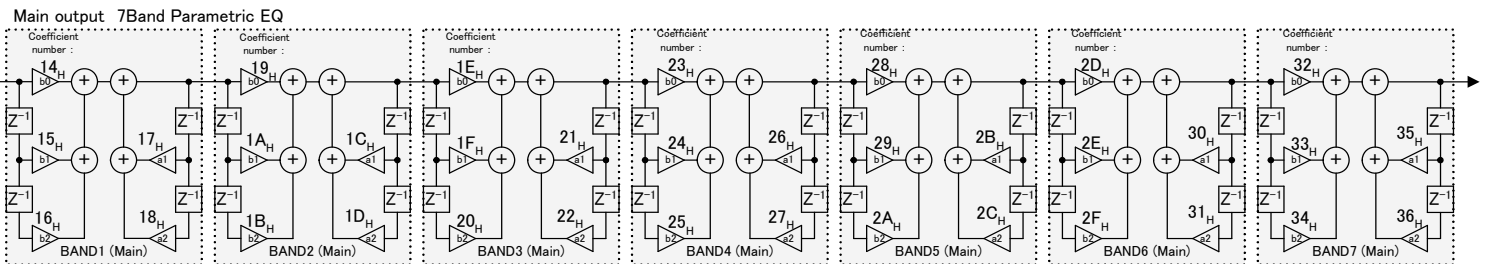
| Select Address | Value | Operating explanation |
|----------------|-------|--------------------------------|
| &h8C [7] | 0 | Coefficient transmission stop |
| | 1 | Coefficient transmission start |

Coefficient number appointment of coefficient RAM

Default = 00h

| Select Address | Operating explanation |
|----------------|---|
| &h8C [6:0] | Coefficient number appointment of coefficient RAM |

Appointment of coefficient number other than 14H↔45H is prohibition



4-28. About the automatic renewal of five coefficients of b0, b1, b2, a1 and a2 of Bi-quad Filter

BASS, MIDDLE, TREBLE, main output 7 bands Parametric Equalizer and sub output 3 band Parametric Equalizer have used coefficient RAM. As for this coefficient RAM, because direct access is not possible from the micro-computer, it cannot refresh the register efficiently.

There is an automatic renewal function of coefficient RAM in this DSP, the automatic write-in renewal of coefficient RAM is possible by using this function. However when 4-26 「the function of direct setting a coefficient RAM」 is utilized, it is not possible to utilize automatic write-in renewal.

Selection of using the automatic write-in renewal function

Default = 0

| Select Address | Value | Operating explanation |
|----------------|-------|---|
| &h6D [0] | 0 | Automatic write-in renewal function is used |
| | 1 | Automatic write-in renewal function is not used |

The separate setting of Filter of automatic write-in renewal function

Default = 00h

| Select Address | Filter | Operating explanation |
|----------------|------------|------------------------------------|
| &h6E [0] | BASS | 0 : Automatic renewal function OFF |
| | | 1 : Automatic renewal function ON |
| &h6E [1] | MIDDLE | 0 : Automatic renewal function OFF |
| | | 1 : Automatic renewal function ON |
| &h6E [2] | TREBLE | 0 : Automatic renewal function OFF |
| | | 1 : Automatic renewal function ON |
| &h6E [4] | Sub BAND1 | 0 : Automatic renewal function OFF |
| | | 1 : Automatic renewal function ON |
| &h6E [5] | Sub BAND2 | 0 : Automatic renewal function OFF |
| | | 1 : Automatic renewal function ON |
| &h6E [6] | Sub BAND3 | 0 : Automatic renewal function OFF |
| | | 1 : Automatic renewal function ON |
| &h6F [0] | Main MAND1 | 0 : Automatic renewal function OFF |
| | | 1 : Automatic renewal function ON |
| &h6F [1] | Main MAND2 | 0 : Automatic renewal function OFF |
| | | 1 : Automatic renewal function ON |
| &h6F [2] | Main MAND3 | 0 : Automatic renewal function OFF |
| | | 1 : Automatic renewal function ON |
| &h6F [3] | Main MAND4 | 0 : Automatic renewal function OFF |
| | | 1 : Automatic renewal function ON |
| &h6F [4] | Main MAND5 | 0 : Automatic renewal function OFF |
| | | 1 : Automatic renewal function ON |
| &h6F [5] | Main MAND6 | 0 : Automatic renewal function OFF |
| | | 1 : Automatic renewal function ON |
| &h6F [6] | Main MAND7 | 0 : Automatic renewal function OFF |
| | | 1 : Automatic renewal function ON |

5. P-S Conversion 1 and P-S Conversion 2

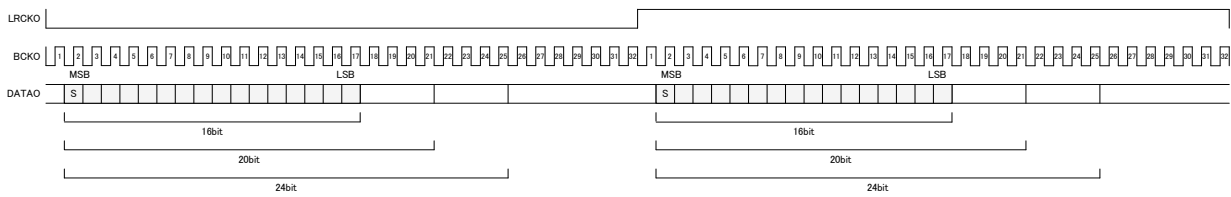
BU9408KS2 has two built-in parallel-serial conversion circuits (P-S Conversion 1 and P-S Conversion 2). P-S conversion 1 converts the output from the ASRC or DSP (Main/Sub) output to 3-line serial data before sending it from DATAMO, BCKO and LRCKO (pins 27, 28 and 29). (Refer to &h04 [1:0])

P-S conversion 2 converts the ASRC or DSP (Main/Sub) output or DF1 output into 3-line serial data before transmitting it from DATASO, BCKO and LRCKO (pins 26, 28 and 29). Moreover, it is also possible to output the synchronous clock for serial transfer from ERR1_LRC and an ERR2_BCK terminal by an output option (Refer to &h04 [5:4]).

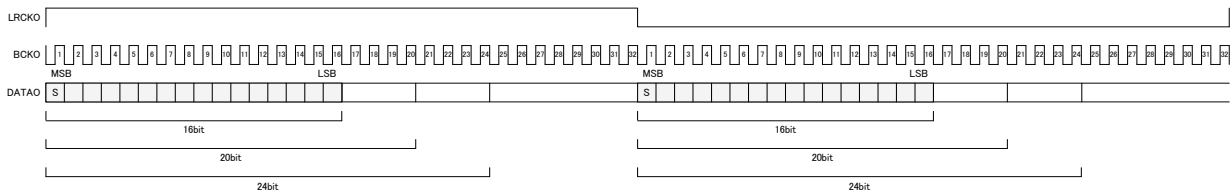
The three output formats are IIS, left-justified and right-justified. 16bit, 20bit and 24bit output can be selected for each format.

The timing charts for each transfer format are as follows:

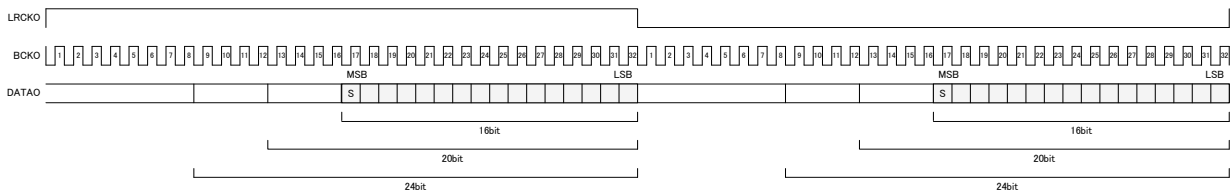
IIS Format



Left-Justified Format



Right-Justified Format



5-1. 3-line Serial Output Format Configuration

Default = 0

| Select Address | Value | Operation Description |
|-----------------------------|-------|------------------------|
| P-S Conversion 1 &h0D [3:2] | 0 | IIS format |
| P-S Conversion 2 &h0E [3:2] | 1 | Left-justified format |
| | 2 | Right-justified format |

5-2. 3-line Serial Output Data Bit Width Configuration

Default = 0

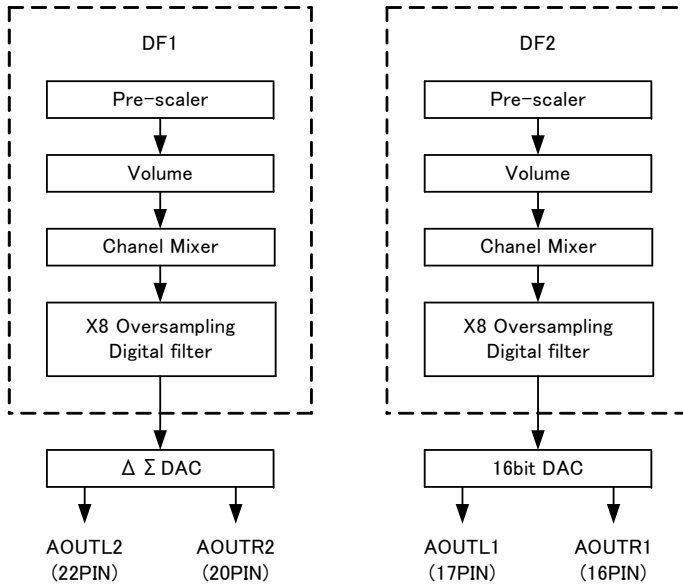
| Select Address | Value | Operation Description |
|-----------------------------|-------|-----------------------|
| P-S Conversion 1 &h0D [1:0] | 0 | 16 bit |
| P-S Conversion 2 &h0E [1:0] | 1 | 20 bit |
| | 2 | 24 bit |

6. 8x Over-Sampling Digital Filter (DF)

In each BU9408KS2 audio analog signal output DAC, an 8x over-sampling digital filter is inserted into the previous step of the DAC input.

In addition to filter calculations, this block also performs pre-scaler, volume and Lch/Rch mix functions.

BU9408KS2's DF+DAC configurations are as follows:



6-1. Pre-Scaler Function (Attenuation)

The signal levels are adjusted in order to bring out the audio DAC performance.

For DF1, refer to &h90[7:0] and &h91[7:0]. The default value is h4000.

For DF2, refer to &h93[7:0] and &h94[7:0]. The default value is h4000.

6-2. Volume Function

The volume value can be configured in 0.5dB increments from +6dB to -121dB.

To change the volume value, coefficient soft transition takes place.

The expression in the transition time from x[dB] to y[dB] is $|(10^{(x/20)} - 10^{(y/20)})| * 21.4ms$. The transition time is 21.4ms when it is from 0dB to $-\infty$. Recommend that this setting value is 0dB and under.

Default = FFh

| Select Address | Operation Description | |
|------------------|-----------------------|-----------|
| DF1 &h92 [7:0] | Command Value | Gain |
| DF2 &h95 [7:0] | 00 | +6dB |
| | 01 | +5.5dB |
| | ⋮ | ⋮ |
| | 0C | 0dB |
| | 0D | -0.5dB |
| | 0E | -1dB |
| | ⋮ | ⋮ |
| | FE | -121dB |
| | FF | $-\infty$ |

Calculation format: (12-command value) x 0.5dB

6-3. Channel Mixer

Performs mixing configuration of left and right channel sounds of digital signals input to the DAC.

Stereo signals are converted to monaural here.

Mixes DAC Lch input data.

Default = 0

| Select Address | Value | Operation Description |
|------------------|-------|-------------------------|
| DF1 &h23 [3:2] | 0 | Inputs Lch data |
| DF2 &h23 [7:6] | 1 | Inputs (Lch+Rch)/2 data |
| | 2 | Inputs (Lch+Rch)/2 data |
| | 3 | Inputs Rch data |

Mixes DAC Rch input data.

Default = 0

| Select Address | Value | Operation Description |
|------------------|-------|-------------------------|
| DF1 &h23 [1:0] | 0 | Inputs Rch data |
| DF2 &h23 [5:4] | 1 | Inputs (Lch+Rch)/2 data |
| | 2 | Inputs (Lch+Rch)/2 data |
| | 3 | Inputs Lch data |

7. Mute Function by MUTE1B, MUTE2B and MUTE3B Terminal

BU9408KS2 has a mute function by an external terminal.

It's possible to mute DSP's main and sub digital output by MUTE1B (12pin) terminal to "L".

It's possible to mute DF1+ $\Delta\Sigma$ DAC output by MUTE2B (13pin) terminal to "L".

It's possible to mute DF2+16bit DAC output by MUTE3B (14pin) terminal to "L".

Soft mute transition time setup of a MUTE1B terminal (12PIN)

Mute the Main and Sub output of DSP.

Select the transition time of entering from 0dB to mute state.

Default = 0

| Select Address | Value | Operating Description |
|----------------|-------|---------------------------------------|
| &h10 [1:0] | 0 | 21.4ms (Release mute time is 21.4ms.) |
| | 1 | 10.7ms (Release mute time is 10.7ms.) |
| | 2 | 5.4ms (Release mute time is 10.7ms.) |
| | 3 | 2.7ms (Release mute time is 10.7ms.) |

Soft mute transition time setup of a MUTE2B terminal (13PIN)

Mute the AOUTL2(22PIN) and AOUTR2(20PIN) output of DF1+ $\Delta\Sigma$ DAC.

Select the transition time of entering from 0dB to mute state.

Default = 0

| Select Address | Value | Operating Description |
|----------------|-------|---------------------------------------|
| &h10 [3:2] | 0 | 21.4ms (Release mute time is 21.4ms.) |
| | 1 | 10.7ms (Release mute time is 10.7ms.) |
| | 2 | 5.4ms (Release mute time is 10.7ms.) |
| | 3 | 2.7ms (Release mute time is 10.7ms.) |

Soft mute transition time setup of a MUTE3B terminal (14PIN)

Mute the AOUTL1(17PIN) and AOUTR1(16PIN) output of DF2+16bit DAC.

Select the transition time of entering from 0dB to mute state.

Default = 0

| Select Address | Value | Operating Description |
|----------------|-------|---------------------------------------|
| &h10 [5:4] | 0 | 21.4ms (Release mute time is 21.4ms.) |
| | 1 | 10.7ms (Release mute time is 10.7ms.) |
| | 2 | 5.4ms (Release mute time is 10.7ms.) |
| | 3 | 2.7ms (Release mute time is 10.7ms.) |

8. Commands Transmitted after Reset Release

The following commands must be transmitted after reset release, including after power supply stand-up.

0. Turn power on.

↓

○Wait approximately 1ms until oscillation is stable. (The time to stabilization should be adjusted according to the pendulum product.)

↓

1. Reset release (RESETB = "H"), Mute release (MUTE1B,MUTE2B,MUTE3B = "H")

↓

○Wait approximately 500us until RAM initialization is complete.

↓

2. &hF1[2] = 0 : Signals from the analog block are connected to the digital block.

↓

3. &hF3[1] = 0 : CLK100M for a down sample block of ASRC is set as a normal mode. (&hF3 = 00h)

↓

4. &hB0[5:4] = 0 : Configure PLL clock to regular use state. (&hB0 = 02)

↓

5. &hB1[7:0] = AAh : The phase of the clock outputted from PLL is adjusted.

↓

6. &h03[5:4][1:0] = 0 : Select input at SP1 and SP2.

↓

7. &h18[7] = 0 : Set 1 when use SPDIF. (Needless set when not use SPDIF.)

↓

8. &hA0 = A6h : Configure PLLA1.

&hA1 = A0h

&hA2 = A4h

&hA3 = A4h

&hA4 = 00h

&hA7 = 40h

↓

9. &hA8 = A6h : Configure PLLA2.

&hA9 = A0h

&hAA = A4h

&hAB = A4h

&hAC = 00h

&hAF = 40h

↓

○Wait approximately 20ms until PLL is stable.

↓

10. &h01[7:6] = 0 : The data clear of built-in RAM is completed and it changes into the condition that RAM can be used.

↓

11. &h08[4][0] = 0 : Configure system clock..

↓

12. &h14 = C0h : The data clear of ASRC is completed and it changes into normal condition.

&h14 = 40h

&h14 = 01h

↓

13. Configuration of other registers.

&h26[7:0] = **h : Mute release of Main data output volume (30h = 0dB)

&h2C[7:0] = **h : Mute release of Sub data output volume (30h = 0dB)

&h92[7:0] = **h : Mute release of DF1+ΔΣDAC output volume (0Ch = 0dB)

&h95[7:0] = **h : Mute release of DF2+16bitDACoutput volume (0Ch = 0dB)

9. Audio Interface Signal Specification

oElectric specification and timing of MCK, BCK, LRCK, and SDATA1 and SDATA2

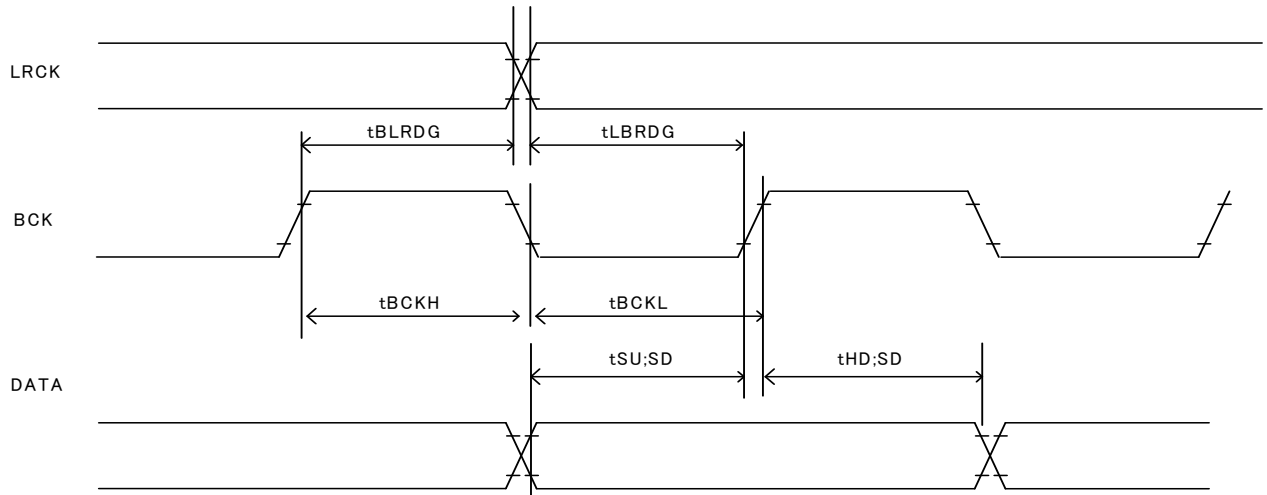


Fig 9-1 Audio interface timing

| Parameter | | | Sign | | | Unit |
|-----------|--|-----------|--------|-------|--------|------|
| | | | | Min. | Max. | |
| 1 | MCK | Frequency | fSCLK | 4.096 | 24.576 | MHz |
| 2 | | DUTY | dSCLK | 40 | 60 | % |
| 3 | LRCK | Frequency | fLRCK | 32 | 48 | kHz |
| 4 | | DUTY | dLRCK | 40 | 60 | % |
| 5 | BCK | Cycle | tBCK | 325 | — | ns |
| 6 | | H width | tBCKH | 130 | — | ns |
| 7 | | L width | tBCKL | 130 | — | ns |
| 8 | It is time to the edge of LRCK from a BCK rising edge.*1 | | tBLRDG | 20 | — | ns |
| 9 | It is time to a BCK rising edge from the edge of LRCK.*1 | | tLBRDG | 20 | - | ns |
| 10 | Setup time of SDATA | | tSU;SD | 20 | - | ns |
| 11 | Hold time of SDATA | | tHD;SD | 20 | — | ns |

*1 This standard value has specified that the edge of LRCK and the rising edge of BCK do not overlap.

10. Notes at the Time of Reset

Since the state of IC is not decided, please make it into RESETB=L at the time of a power supply injection, and surely apply reset.

Reset of BU9408KS2 is performing noise removal by MCLK.

Therefore, in order to apply reset, a MCLK clock pulse is required of the state of RESETB=L more than 10 times.

The power-on reset after a power supply injection, and when you usually apply reset at the time of operation, please be sure to carry out in the state where the clock is inputted, from MCLK.

●Cautions**(1) ABSOLUTE MAXIMUM RATINGS**

Permanent device damage may occur and break mode (open or short) can not be specified if power supply, operating temperature, and those of ABSOLUTE MAXIMUM RATINGS are exceeded. If such a special condition is expected, components for safety such as fuse must be used.

(2) Regarding of SCLI and SDAI terminals

SCLI and the SDAI terminal do not support 5 V-tolerant. Please use it within absolute maximum rating (4.5V).

(3) Power Supply

Power and Ground line must be designed as low impedance in the PCB. Print patterns of digital power supply and analog power supply must be separated even if these have same voltage level. Print patterns for ground must be designed as same as power supply. These considerations avoid analog circuits from the digital circuit noise. All pair of power supply and ground must have their own de-coupling capacitor. Those capacitor should be checked about their specification, etc. (nominal electrolytic capacitor degrades its capacity at low temperature) and choose the constant of an electrolytic capacitor.

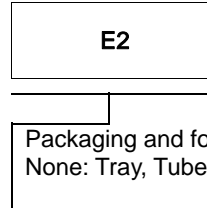
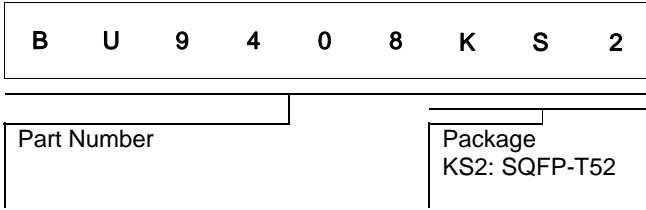
(4) Functionality in the strong electro-magnetic field

Malfunction may occur if in the strong electro-magnetic field.

(5) Input terminals

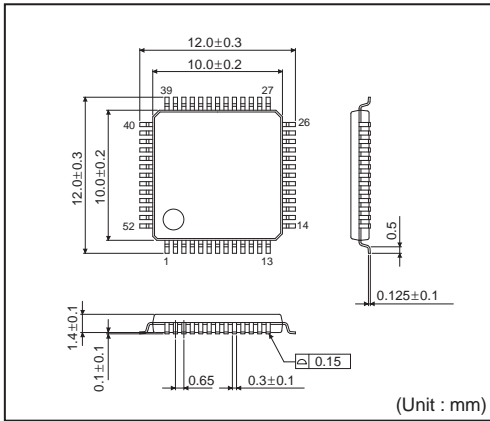
All LSI contain parasitic components. Some are junctions which normally reverse bias. When these junctions forward bias, currents flows on unwanted path, malfunction or device damage may occur. To prevent this, all input terminal voltage must be between ground and power supply, or in the range of guaranteed value in the Electrical characteristics. And no voltage should be supplied to all input terminal when power is not supplied.

●Ordering Information



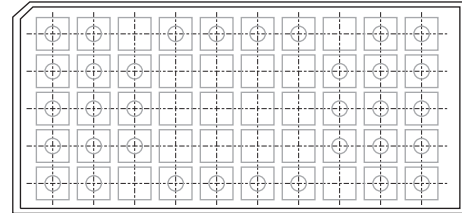
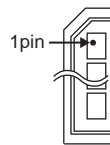
●Physical Dimension Tape and Reel Information

SQFP-T52



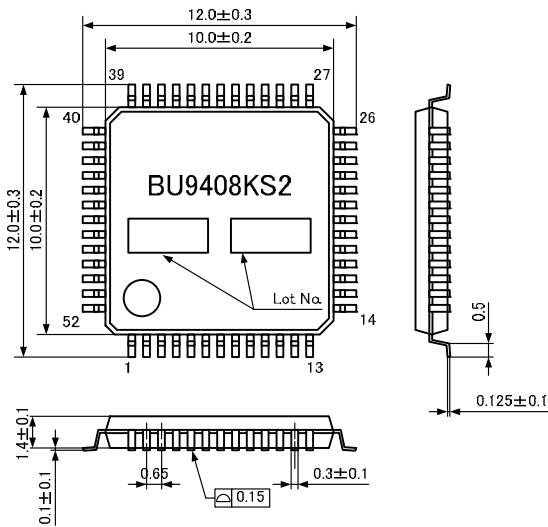
<Tape and Reel information>

| | |
|-------------------|---|
| Container | Tray (with dry pack) |
| Quantity | 1000pcs |
| Direction of feed | Direction of product is fixed in a tray |



*Order quantity needs to be multiple of the minimum quantity.

●Marking Diagram(s)(TOP VIEW)



Notice

Precaution on using ROHM Products

- Our Products are designed and manufactured for application in ordinary electronic equipments (such as AV equipment, OA equipment, telecommunication equipment, home electronic appliances, amusement equipment, etc.). If you intend to use our Products in devices requiring extremely high reliability (such as medical equipment ^(Note 1), transport equipment, traffic equipment, aircraft/spacecraft, nuclear power controllers, fuel controllers, car equipment including car accessories, safety devices, etc.) and whose malfunction or failure may cause loss of human life, bodily injury or serious damage to property ("Specific Applications"), please consult with the ROHM sales representative in advance. Unless otherwise agreed in writing by ROHM in advance, ROHM shall not be in any way responsible or liable for any damages, expenses or losses incurred by you or third parties arising from the use of any ROHM's Products for Specific Applications.

(Note1) Medical Equipment Classification of the Specific Applications

| JAPAN | USA | EU | CHINA |
|-----------|-----------|------------|-----------|
| CLASS III | CLASS III | CLASS II b | CLASS III |
| CLASS IV | | CLASS III | |

- ROHM designs and manufactures its Products subject to strict quality control system. However, semiconductor products can fail or malfunction at a certain rate. Please be sure to implement, at your own responsibilities, adequate safety measures including but not limited to fail-safe design against the physical injury, damage to any property, which a failure or malfunction of our Products may cause. The following are examples of safety measures:
 - Installation of protection circuits or other protective devices to improve system safety
 - Installation of redundant circuits to reduce the impact of single or multiple circuit failure
- Our Products are designed and manufactured for use under standard conditions and not under any special or extraordinary environments or conditions, as exemplified below. Accordingly, ROHM shall not be in any way responsible or liable for any damages, expenses or losses arising from the use of any ROHM's Products under any special or extraordinary environments or conditions. If you intend to use our Products under any special or extraordinary environments or conditions (as exemplified below), your independent verification and confirmation of product performance, reliability, etc. prior to use, must be necessary:
 - Use of our Products in any types of liquid, including water, oils, chemicals, and organic solvents
 - Use of our Products outdoors or in places where the Products are exposed to direct sunlight or dust
 - Use of our Products in places where the Products are exposed to sea wind or corrosive gases, including Cl₂, H₂S, NH₃, SO₂, and NO₂
 - Use of our Products in places where the Products are exposed to static electricity or electromagnetic waves
 - Use of our Products in proximity to heat-producing components, plastic cords, or other flammable items
 - Sealing or coating our Products with resin or other coating materials
 - Use of our Products without cleaning residue of flux (even if you use no-clean type fluxes, cleaning residue of flux is recommended); or Washing our Products by using water or water-soluble cleaning agents for cleaning residue after soldering
 - Use of the Products in places subject to dew condensation
- The Products are not subject to radiation-proof design.
- Please verify and confirm characteristics of the final or mounted products in using the Products.
- In particular, if a transient load (a large amount of load applied in a short period of time, such as pulse. is applied, confirmation of performance characteristics after on-board mounting is strongly recommended. Avoid applying power exceeding normal rated power; exceeding the power rating under steady-state loading condition may negatively affect product performance and reliability.
- De-rate Power Dissipation (Pd) depending on Ambient temperature (Ta). When used in sealed area, confirm the actual ambient temperature.
- Confirm that operation temperature is within the specified range described in the product specification.
- ROHM shall not be in any way responsible or liable for failure induced under deviant condition from what is defined in this document.

Precaution for Mounting / Circuit board design

- When a highly active halogenous (chlorine, bromine, etc.) flux is used, the residue of flux may negatively affect product performance and reliability.
- In principle, the reflow soldering method must be used; if flow soldering method is preferred, please consult with the ROHM representative in advance.

For details, please refer to ROHM Mounting specification

Precautions Regarding Application Examples and External Circuits

1. If change is made to the constant of an external circuit, please allow a sufficient margin considering variations of the characteristics of the Products and external components, including transient characteristics, as well as static characteristics.
2. You agree that application notes, reference designs, and associated data and information contained in this document are presented only as guidance for Products use. Therefore, in case you use such information, you are solely responsible for it and you must exercise your own independent verification and judgment in the use of such information contained in this document. ROHM shall not be in any way responsible or liable for any damages, expenses or losses incurred by you or third parties arising from the use of such information.

Precaution for Electrostatic

This Product is electrostatic sensitive product, which may be damaged due to electrostatic discharge. Please take proper caution in your manufacturing process and storage so that voltage exceeding the Products maximum rating will not be applied to Products. Please take special care under dry condition (e.g. Grounding of human body / equipment / solder iron, isolation from charged objects, setting of ionizer, friction prevention and temperature / humidity control).

Precaution for Storage / Transportation

1. Product performance and soldered connections may deteriorate if the Products are stored in the places where:
 - [a] the Products are exposed to sea winds or corrosive gases, including Cl₂, H₂S, NH₃, SO₂, and NO₂
 - [b] the temperature or humidity exceeds those recommended by ROHM
 - [c] the Products are exposed to direct sunshine or condensation
 - [d] the Products are exposed to high Electrostatic
2. Even under ROHM recommended storage condition, solderability of products out of recommended storage time period may be degraded. It is strongly recommended to confirm solderability before using Products of which storage time is exceeding the recommended storage time period.
3. Store / transport cartons in the correct direction, which is indicated on a carton with a symbol. Otherwise bent leads may occur due to excessive stress applied when dropping of a carton.
4. Use Products within the specified time after opening a humidity barrier bag. Baking is required before using Products of which storage time is exceeding the recommended storage time period.

Precaution for Product Label

QR code printed on ROHM Products label is for ROHM's internal use only.

Precaution for Disposition

When disposing Products please dispose them properly using an authorized industry waste company.

Precaution for Foreign Exchange and Foreign Trade act

Since our Products might fall under controlled goods prescribed by the applicable foreign exchange and foreign trade act, please consult with ROHM representative in case of export.

Precaution Regarding Intellectual Property Rights

1. All information and data including but not limited to application example contained in this document is for reference only. ROHM does not warrant that foregoing information or data will not infringe any intellectual property rights or any other rights of any third party regarding such information or data. ROHM shall not be in any way responsible or liable for infringement of any intellectual property rights or other damages arising from use of such information or data.:
2. No license, expressly or implied, is granted hereby under any intellectual property rights or other rights of ROHM or any third parties with respect to the information contained in this document.

Other Precaution

1. This document may not be reprinted or reproduced, in whole or in part, without prior written consent of ROHM.
2. The Products may not be disassembled, converted, modified, reproduced or otherwise changed without prior written consent of ROHM.
3. In no event shall you use in any way whatsoever the Products and the related technical information contained in the Products or this document for any military purposes, including but not limited to, the development of mass-destruction weapons.
4. The proper names of companies or products described in this document are trademarks or registered trademarks of ROHM, its affiliated companies or third parties.

General Precaution

1. Before you use our Products, you are requested to carefully read this document and fully understand its contents. ROHM shall not be in any way responsible or liable for failure, malfunction or accident arising from the use of any ROHM's Products against warning, caution or note contained in this document.
2. All information contained in this document is current as of the issuing date and subject to change without any prior notice. Before purchasing or using ROHM's Products, please confirm the latest information with a ROHM sales representative.
3. The information contained in this document is provided on an "as is" basis and ROHM does not warrant that all information contained in this document is accurate and/or error-free. ROHM shall not be in any way responsible or liable for any damages, expenses or losses incurred by you or third parties resulting from inaccuracy or errors of or concerning such information.



BU9408KS2 - Web Page

[Distribution Inventory](#)

| | |
|-----------------------------|-----------|
| Part Number | BU9408KS2 |
| Package | SQFP-T52 |
| Unit Quantity | 1000 |
| Minimum Package Quantity | 1000 |
| Packing Type | Tray |
| Constitution Materials List | inquiry |
| RoHS | Yes |